



Forever Bright

SPECIFICATION FEATURES



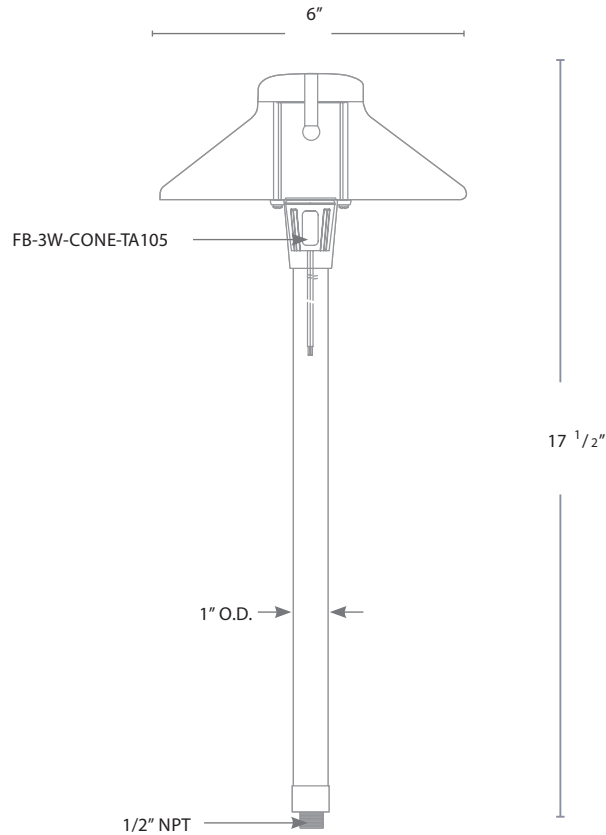
Model: SPJ-JTS100-QS

- Finish: Our naturally etched finishes will withstand the test of time. All finishes are individually treated insuring consistency. Our meticulous application results in a fixture that truly becomes "a one of a kind".
- Electrical: Available in 8-15V
- Labels: ETL Standard Wet Label
C-ETL

Path / Area Light

DESCRIPTION

- Model#: SPJ-JTS100-QS
- Material: Solid Brass
- Finish: Verde
- Electrical: 8-15V
- Engine: FB-3W-Cone-TA105
- Lumens: 105
- Color Temp: 2700 k
- Optic: Spot, Flood, Wide Flood, Wide Angle Flood
- Mounting: 1/2" NPT.



Wet Listed



ORDERING INFORMATION

Model#	Finishes	Wattage	Optics	Lumens	Color Temp.	Electrical
SPJ-JTS100-QS	MBR	3W	TBD	105	2700K	8-15V
	MBR = Matte Bronze	3W 5W	Spot Flood Wide Flood Wide Angle Flood	105 125	2700K 4000K 6500K	8-15V