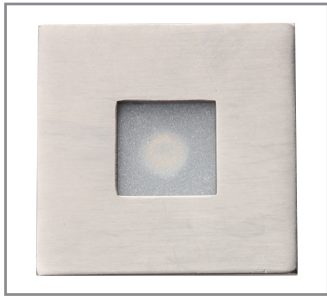




Forever Bright

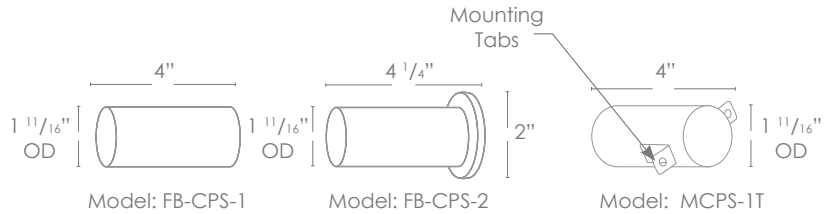
SPECIFICATION FEATURES

- Finish:** Our naturally etched finishes will withstand the test of time. All finishes are individually treated insuring consistency. Our meticulous application results in a fixture that truly becomes "a one of a kind".
- Electrical:** Available in 8-15V or 120V
- Labels:** ETL Standard Wet Label
C-ETL



Model: **SPJ-GDG-30W-SQ**
Finish: PVD Graphite

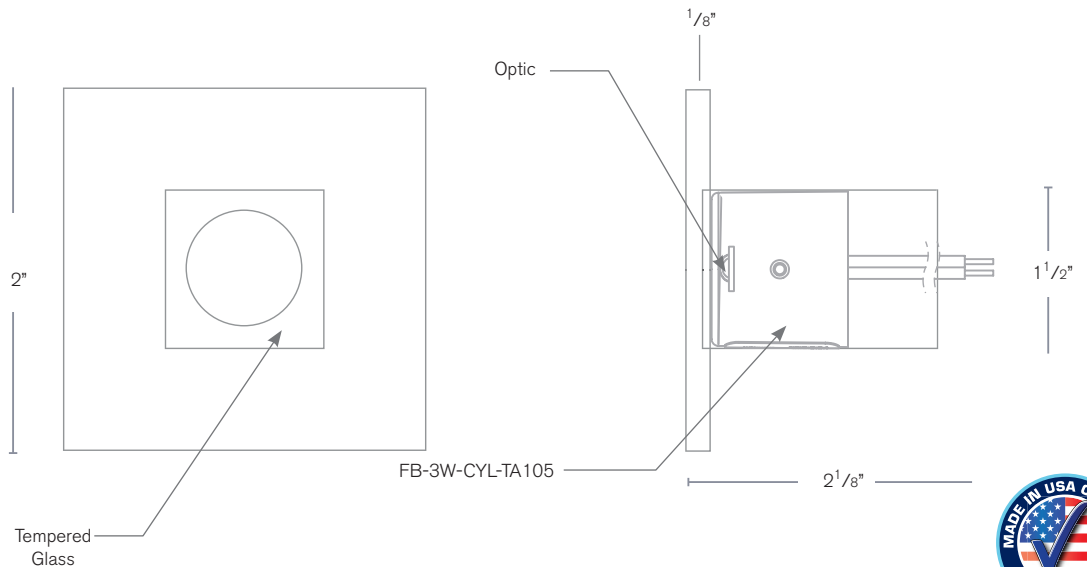
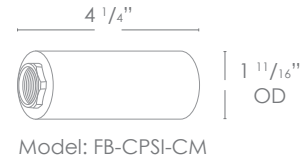
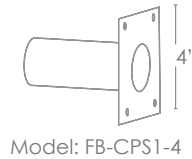
Concrete Pour Sleeves



The Versatile GDG Series

DESCRIPTION

- Model#:** SPJ-GDG-30W-SQ
- Engine:** FB-3W-CYL-TA105
- Lumens:** 105
- Optic:** Spot, Flood, Wide Flood, Wide Angle Flood
- Color Temp:** 2700K
- Electrical:** 8-15V, 120V
- LED:** Nichia



Wet Listed



ORDERING INFORMATION

Model#	Finishes	Wattage	Optics	Lumens	Color Temp.	Electrical
SPJ-GDG-30W-SQ	PVDG	3W	FLOOD	105	2700K	8-15V

V = Verde	B = Black	1W	Spot	85	2700K	8-15V
M = Moss	R = Rusty	3W	Flood	105	4000K	120V
AG = Aged Brass	PVDP = PVD Polished	5W	Wide Flood	125	6500K	
MBR = Matte Bronze	PVDS = PVD Satin		Wide Angle Flood			
SB = Satin Brass	PVDG = PVD Graphite					
GM = Gun Metal						

WWW.SPJLIGHTING.COM