



Forever Bright

SPECIFICATION FEATURES

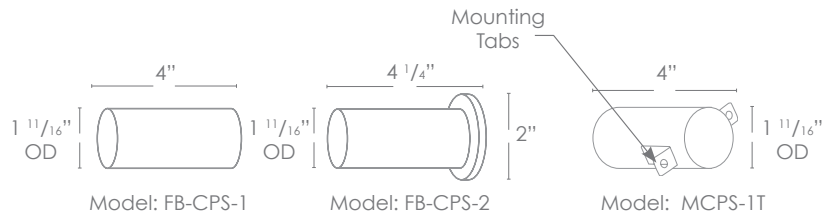


Model: SPJ-GDG-30W-QS

Finish:	Our naturally etched finishes will withstand the test of time. All finishes are individually treated insuring consistency. Our meticulous application results in a fixture that truly becomes "a one of a kind".
Electrical:	Available in 8-15V or 120V
Labels:	ETL Standard Wet Label C-ETL

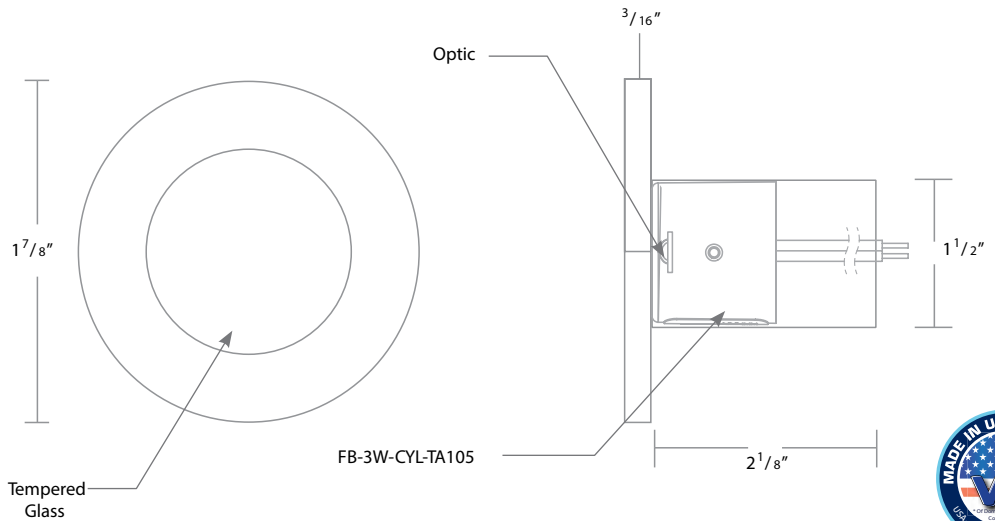
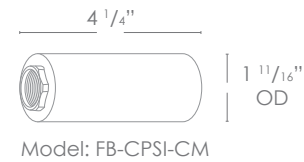
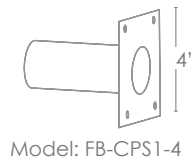
The Versatile GDG Series

Concrete Pour Sleeves



DESCRIPTION

Model#:	SPJ-GDG-30W-QS
Shown:	Matte Bronze
Engine:	FB-3W-CYL-TA105 (standard)
Lumens:	105
Optic:	Spot, Flood, Wide Flood, Wide Angle Flood
Color Temp:	2700K
Electrical:	8-15V, 120V



Wet Listed



ORDERING INFORMATION

Model#	Finishes	Wattage	Optics	Lumens	Color Temp.	Electrical
SPJ-GDG-30W-QS	MBR	3W	FLOOD	105	2700K	8-15V
	MBR = Matte Bronze	1W 3W 5W	Spot Flood Wide Flood Wide Angle Flood	85 105 125	2700K 4000K 6500K	8-15V 120V