



"Innovation Nightly"

# Forever Bright

## SPECIFICATION FEATURES



Model: Mr. Big

**Finish:** Our naturally etched finishes will withstand the test of time. All finishes are individually treated insuring consistency. Our meticulous application results in a fixture that truly becomes "a one of a kind".

**Electrical:** Available in 120v

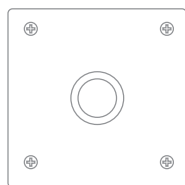
**Labels:** ETL Standard Wet Label  
C-ETL

### Directional Light

#### DESCRIPTION

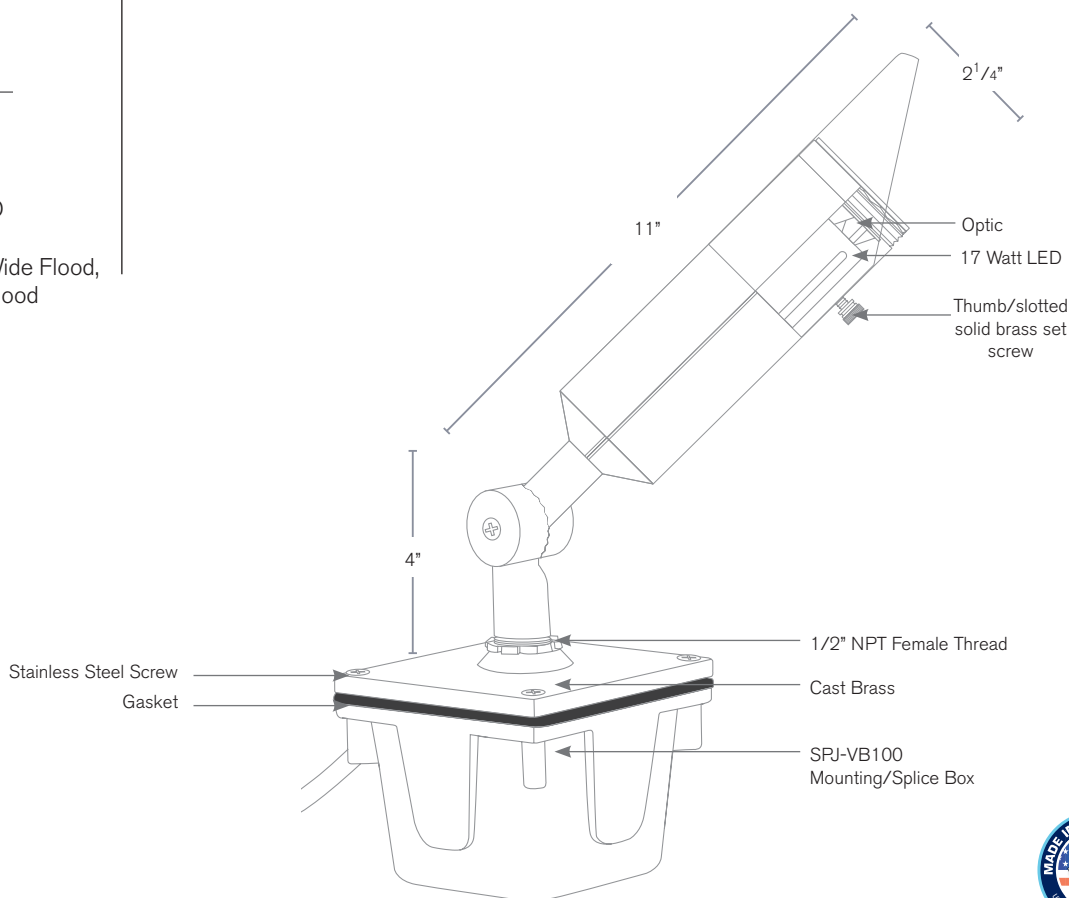
- Model#:** Mr. Big
- Finish:** Matte Bronze
- Engine:** 17 Watts LED
- Lumens:** 950
- Optic:** Spot, Flood, Wide Flood, Wide Angle Flood
- Color Temp:** 2700K
- Wattage:** 17W
- Electrical:** 120V
- Mounting:** SPJ-VB100

Top View



4"

1/2" NPT holes can be drilled to request



#### ORDERING INFORMATION

Model#	Finishes	Wattage	Optics	Lumens	Color Temp.	Electrical
<b>MR. BIG</b>	<b>MBR</b>	<b>17W</b>	<b>FLOOD</b>	<b>950</b>	<b>2700K</b>	<b>120V</b>

V = Verde	GM = Gun Metal	17W	Spot	950	2700K	120V
M = Moss	B = Black		Flood		3000K	
AG = Aged Brass	R = Rusty		Wide Flood		4000K	
MBR = Matte Bronze	PVDP = PVD Polished		Wide Angle Flood		6500K	
SB = Satin Brass	PVDS = PVD Satin					

WWW.SPJLIGHTING.COM