

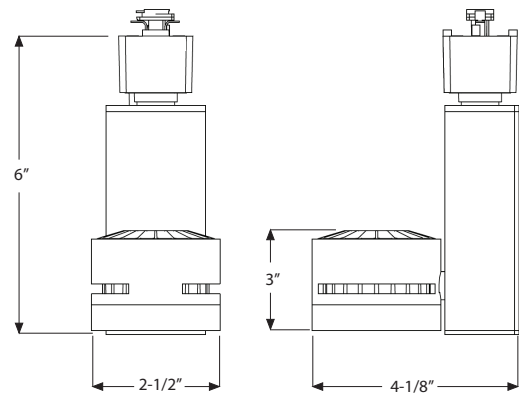
**CTL-410 VERTICAL**  
**ARCHITECTURAL LED TRACK LUMINAIRE**  
*AVAILABLE W/ H, J & L STYLE ADAPTERS*

Job Name:

Address:



CTL410 Architectural track series is modern high performance LED luminaire. At only 12.5 watts of power consumption, this highly efficient luminaire produces over 700 lumens of light output, and could save you up to 85% in energy cost. With a variety of optics and finish options, the CTL410 track luminaire will be a great addition to any residential or commercial space.



**SPECIFICATIONS:**

- ✓ 700 Lumens using only 12.5 watts
- ✓ Powered by Philips Luxeon LED's
- ✓ Dimmable down to 10%
- ✓ Compatible with H, J and L style track systems
- ✓ Available in White, Black and Silver finishes
- ✓ Spot, Flood and Wide Flood optic options
- ✓ Rated LED life of 50,000 hours
- ✓ 5 Year Limited Warranty

LED LIGHT ENGINE: 12.5W, 700 Lumens, 80+ CRI  
 COLOR TEMP: 2700K, 3000K, 4000K  
 OPTICS: 19° Spot, 30° Flood, 45° Wide Flood  
 FINISH: WH-White, BK-Black, SI-Silver  
 ADAPTER: H, J and L style track systems  
 DIMENSIONS: Width: 4-1/8", Length: 6.25", Depth: 3"  
 ADJUSTABILITY: 350° Horizontal and 90° Vertical Adjustability  
 DIMMING: 100-10% with electronic low voltage (ELV) dimmer  
 ELECTRICAL: 120V – Dimmable  
 WARRANTY: 5 Years

**ORDERING GUIDE:**

Ordering Code Example: CTL410-L1-30K-WH-FL-HT

CTL-410					
MODEL	WATTAGE	COLOR TEMP	FINISH	OPTICS	ADAPTER
L1 - 12.5W	27K - 2700K 30K - 3000K 40K - 4000K	WH - White BK - Black SI - Silver	SP - 19° Spot FL - 30° Flood WF - 45° Wide	HT - H Type JT - J Type LT - L Type	