



<b>Project:</b>	<b>Type:</b>
<b>Prepared By:</b>	<b>Date:</b>

Driver Info		LED Info	
Type:	Constant Current	Watts:	37W
120V:	0.31A	Color Temp:	4000K (Neutral)
208V:	0.19A	Color Accuracy:	83 CRI
240V:	0.16A	L70 Lifespan:	100,000
277V:	0.14A	Lumens:	3,451
Input Watts:	38W	Efficacy:	91 LPW
Efficiency:	98%		

## Technical Specifications

### Listings

#### UL Listing:

Suitable for damp locations

#### IESNA LM-79 & LM-80 Testing:

RAB LED luminaires have been tested by an independent laboratory in accordance with IESNA LM-79 and LM-80, and have received the Department of Energy "Lighting Facts" label.

#### DLC Listed:

This product is on the Design Lights Consortium (DLC) Qualified Products List and is eligible for rebates from DLC Member Utilities.

### Electrical

#### Driver:

Constant Current, Class 2, 4-channel driver with 0-10V dimming, 350mA, 120-277VAC 0.46A, Power Factor >94%

#### THD:

10.4% at 120V, 12.5% at 277V

### Construction

#### Lens:

Nominal .125" thick prismatic acrylic lens with diffusion for enhanced optical performance

#### IC Rating:

Suitable for insulated ceilings

#### Housing:

Die-formed 22 gauge, cold-rolled steel

#### Installation:

Standard integral earthquake and NEC T-bar clips secure the fixture to T-bars and prevent T-system separation. For recessed mounting kit see

#### Finish:

High-reflectance (91%) powder coat applied post production for a more durable finish

#### Green Technology:

Mercury and UV free, and RoHS compliant. Polyester powder coat finish formulated without the use of VOC or toxic heavy metals.

### LED Characteristics

#### LEDs:

Long-life, high-efficiency, micro-power, surface mount LEDs; binned and mixed for uniform light output and color.

#### Lifespan:

100,000-hour LED lifespan based on IES LM-80 results and TM-21 calculations.

#### Color Stability:

LED Color temperature is warranted to shift no more than 200K in CCT over a 5 year period.

### Other

#### TRLED2X4-37 with Dimmable Driver:

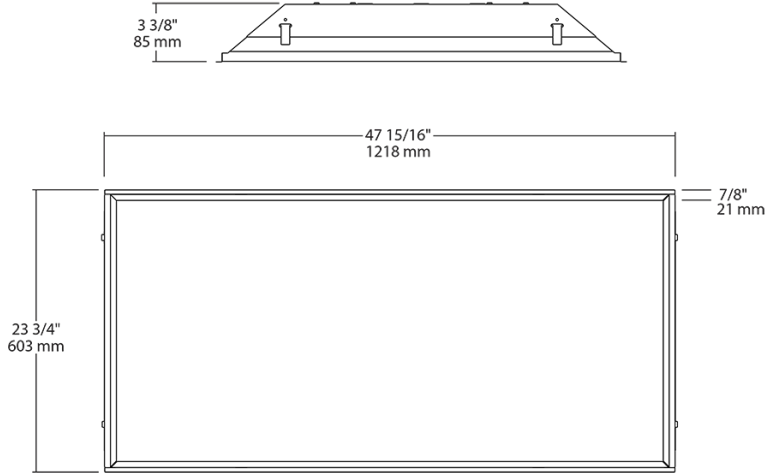
Driver includes dimming control for 0-10V dimming systems. Requires separate 0-10V DC dimming circuit. Dims as low as 5%.

#### California Title 24:

TRLED2X4-37N/D10 complies with 2013 California Title 24 building and electrical codes as a commercial indoor fixture for general spaces when used with a vacancy sensor and 0-10V dimming control. Select a vacancy sensor using catalog number LVS800. 0-10V dimmer provided by others.

# TRLED2X4-37N/D10

## Dimensions



## Features

- High efficiency, low maintenance alternative to fluorescent
- Prismatic lens with diffusion for enhanced optical performance
- 0-10V dimming standard on all models
- Optional recessed mounting kit available
- 100,000-hour LED lifespan
- 5-Year warranty

## Ordering Matrix

Family	Size	Watts	Color Temp	Dimming
TRLED	2X4 = 2' x 4'	37 = 37W 50 = 50W	Y = Warm YN = Warm Neutral N = Neutral	/D10 = Dimmable