



LED performance in an economical 2x2 troffer.

Color: White

Weight: 9.5 lbs

Project:

Type:

Prepared By:

Date:

Driver Info

Type: Constant Current
 120V: 0.31A
 208V: 0.19A
 240V: 0.16A
 277V: 0.14A
 Input Watts: 38W
 Efficiency: 97%

LED Info

Watts: 37W
 Color Temp: 4000K (Neutral)
 Color Accuracy: 83 CRI
 L70 Lifespan: 100,000
 Lumens: 3,370
 Efficacy: 89 LPW

Technical Specifications

Listings

UL Listing:

Suitable for damp locations

IESNA LM-79 & LM-80 Testing:

RAB LED luminaires have been tested by an independent laboratory in accordance with IESNA LM-79 and LM-80, and have received the Department of Energy "Lighting Facts" label.

DLC Listed:

This product is on the Design Lights Consortium (DLC) Qualified Products List and is eligible for rebates from DLC Member Utilities.

Electrical

Driver:

Constant Current, Class 2, 4-channel driver with 0-10V dimming, 350mA, 120-277VAC 0.46A, Power Factor >94%

THD:

10.3% at 120V, 12.8% at 277V

Construction

Lens:

Nominal .125" thick prismatic acrylic lens with diffusion for enhanced optical performance

IC Rating:

Suitable for insulated ceilings

Housing:

Die-formed 22 gauge, cold-rolled steel

Installation:

Standard integral earthquake and NEC T-bar clips secure the fixture to T-bars and prevent T-system separation. For recessed mounting kit see

Finish:

High-reflectance (91%) powder coat applied post production for a more durable finish

Green Technology:

Mercury and UV free, and RoHS compliant. Polyester powder coat finish formulated without the use of VOC or toxic heavy metals.

LED Characteristics

LEDs:

Long-life, high-efficiency, micro-power, surface mount LEDs; binned and mixed for uniform light output and color.

Lifespan:

100,000-hour LED lifespan based on IES LM-80 results and TM-21 calculations.

Color Stability:

LED Color temperature is warranted to shift no more than 200K in CCT over a 5 year period.

Other

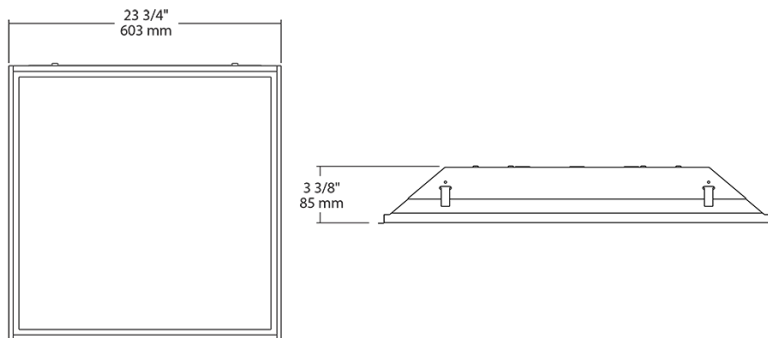
TRLED2X2-37 with Dimmable Driver:

Driver includes dimming control for 0-10V dimming systems. Requires separate 0-10V DC dimming circuit. Dims as low as 5%.

California Title 24:

TRLED2X2-37N/D10 complies with 2013 California Title 24 building and electrical codes as a commercial indoor fixture for general spaces when used with a vacancy sensor and 0-10V dimming control. Select a vacancy sensor using catalog number LVS800. 0-10V dimmer provided by others.

Dimensions



Features

- High efficiency, low maintenance alternative to fluorescent
- Prismatic lens with diffusion for enhanced optical performance
- 0-10V dimming standard on all models
- Optional recessed mounting kit available
- 100,000-hour LED lifespan
- 5-Year warranty

Ordering Matrix

Family	Size	Watts	Color Temp	Dimming
TRLED	2X2 = 2' x 2'	37 = 37W 50 = 50W	Y = Warm YN = Warm Neutral N = Neutral	/D10 = Dimmable