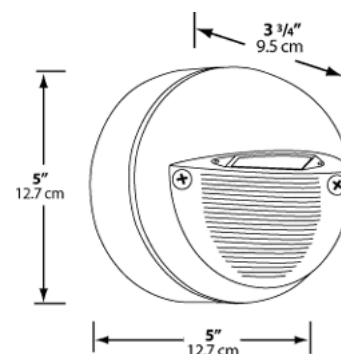


WPLEDR5Y

5 Watt LED Wallpacks with 3 conduit entry points. Low profile and clean look for surface-mount applications. Equivalent to 13W CFL or 60W Incandescent. Mounting Height: 5' - 10'. 5 year LED warranty.

Color: Bronze

Weight: 1.6 lbs



LED Info

Watts: 5
 Color Temp: 3000K (Warm)
 Color Accuracy: 88
 L70 Lifespan: 0
 LM79 Lumens: 133
 Efficacy: 27 LPW

Driver Info

Type: Constant Current
 120V: 0.18A
 208V: 0.18A
 240V: 0.18A
 277V: N/A
 Input Watts: 5W
 Efficiency: 100%

Technical Specifications

UL Listing:

Suitable for wet locations. Suitable for mounting within 4' of the ground.

Country of Origin :

Designed by RAB in New Jersey and assembled in the USA by IBEW Local 3

Buy American Act Compliant :

This product is a COTS item manufactured in the United States, and is compliant with the Buy American Act.

Recovery Act (ARRA) Compliant :

This product complies with the 52.225-21 "Required Use of American Iron, Steel, and Manufactured Goods-- Buy American Act-- Construction Materials (October 2010)

Trade Agreements Act Compliant :

This product is a COTS item manufactured in the United States, and is compliant with the Trade Agreements Act.

GSA Schedule :

This product is suitable for listing on the GSA Schedule of the US General Services in accordance with FAR Subpart 25.4

Patents:

The WPLED design is protected by patents pending in the U.S., Canada, China, Taiwan and Mexico.

LEDs:

5W, high-output, long-life LED

Drivers:

Constant current, Class 2, 100 - 240VAC, 50 - 60 Hz, 0.18 Amps.

Fixture Efficacy:

25 Lumens per Watt

Ambient Temperature:

Suitable for use in 40C ambient temperatures

Surge Protection:

1 KV

Cold Weather Starting:

The minimum starting temperature is -40F/-40C

Heatsink:

Integral cast aluminum mounting pad for optimum heat sinking to ensure cool operation with maximum LED life and light output.

Housing:

Precision die cast aluminum housing and mounting plate. 1 1/2" backbox with three 1/2" conduit entry points.

Gaskets:

High temperature silicone gaskets.

Finish:

Chip and fade resistant polyester powder coat finish.

Color Accuracy:

88 CRI

Color Temperature (Nominal CCT):

3000K

Color Stability:

RAB LEDs exceed industry standards for chromatic stability.

WPLEDR5Y - continued

Color Uniformity:

RAB's range of CCT (Correlated color temperature) follows the guidelines of the American National Standard for Specifications for the Chromaticity of Solid State Lighting (SSL) Products, ANSI C78.377-2008.

Green Technology:

Mercury and UV free.

IESNA LM-79 & IESNA LM-80 Testing:

RAB LED luminaires have been tested by an independent laboratory in accordance with IESNA LM-79 and 80, and have received the Department of Energy "Lighting Facts" label.

California Title 24:

WPLED5 complies with California Title 24 building and electrical codes.

Warranty:

LED fixtures give you peace of mind because both the fixture and light engine components are backed by RAB's 5 Year Warranty. For more information,

For use on LEED Buildings :

IDA Dark Sky Approval means that this fixture can be used to achieve LEED Credits for Light Pollution Reduction

Dark Sky Approved :

The International Dark Sky Association has approved this product as a full cutoff, fully shielded luminaire.

ADA:

WPLEDR5 meets the requirements of the Americans with Disabilities Act (ADA).

