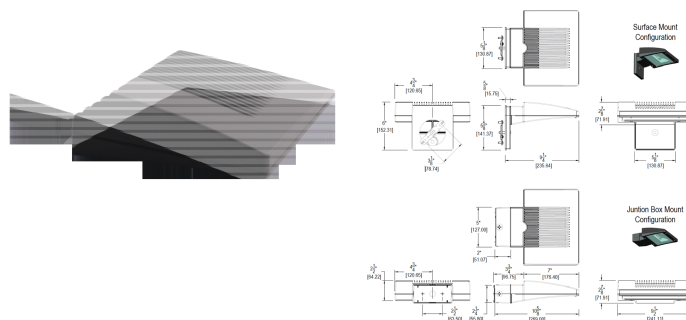


# WPLED26

26 Watt LED Wallpack. Equivalent to 175W MH Wallpack. Includes both junction box and surface mount for recessed box. IESNA Full Cutoff, Fully Shielded optics. 5 Year warranty.

Color: Bronze

Weight: 7.5 lbs



## LED Info

Watts: 26  
 Color Temp: 5000K (Cool)  
 Color Accuracy: 66  
 L70 Lifespan: 0  
 LM79 Lumens: 1,816  
 Efficacy: 61 LPW

## Driver Info

Type: Constant Current  
 120V: 0.26 A  
 208V: 0.16 A  
 240V: 0.14 A  
 277V: 0.12 A  
 Input Watts: 30W  
 Efficiency: 87%

## Technical Specifications

### UL Listing:

Suitable for wet locations. Suitable for mounting within 4' of the ground.

### Finish:

Chip and fade resistant polyester powder coat finish.

### Color Stability:

RAB LEDs exceed industry standards for chromatic stability.

### Color Uniformity:

RAB's range of CCT (Correlated color temperature) follows the guidelines of the American National Standard for Specifications for the Chromaticity of Solid State Lighting (SSL) Products, ANSI C78.377-2008.

### Ambient Temperature:

Suitable for use in 40C ambient temperatures.

### Fixture Efficacy:

61 Lumens per Watt

### Color Accuracy:

66 CRI

### Color Temperature (Nominal CCT):

5000K

### LED Light Engine:

Multi-chip 26W high output long life LED Driver  
 Constant Current, 720mA, Class 2, 6 KV Surge  
 Protection, 100V-277V, 50-60 Hz, 100-240V .4 Amps

### Cold Weather Starting:

The minimum starting temperature is -40\_\_C

### Heatsink:

Cast aluminum thermal management system for optimal heat sinking. The LPACK is designed for cool operation, most efficient output and maximum LED life by minimizing LED junction temperature.

### California Title 24:

WPLED complies with California Title 24 building and electrical codes.

### Equivalency:

The WPLED26 is Equivalent in delivered lumens to a 175W Metal Halide Wallpack.

### HID Replacement Range:

The WPLED26 can be used to replace 150 - 200W Metal Halide Wallpacks based on delivered lumens.

### Green Technology:

RAB LEDs are Mercury, Arsenic and UV free.

### Patents:

The WPLED design is protected by U.S. PATENT D608,040 and patents pending in the U.S., Canada, China, Taiwan and Mexico.

### For use on LEED Buildings:

IDA Dark Sky Approval means that this fixture can be used to achieve LEED Credits for Light Pollution Reduction

### Dark Sky Approved:

The International Dark Sky Association has approved this product as a full cutoff, fully shielded luminaire.

### Country of Origin:

Designed by RAB in New Jersey and assembled in Taiwan



WPLED26 - continued

**Trade Agreements Act Compliant:**

This product is a product of Taiwan and a "designated country" end product that complies with the Trade Agreements Act.

**GSA Schedule:**

This product is suitable for listing on the GSA Schedule of the US General Services in accordance with FAR Subpart 25.4

**DLC Listed:**

This product is on the Design Lights Consortium (DLC) Qualified Products List and is eligible for rebates from DLC Member Utilities.

