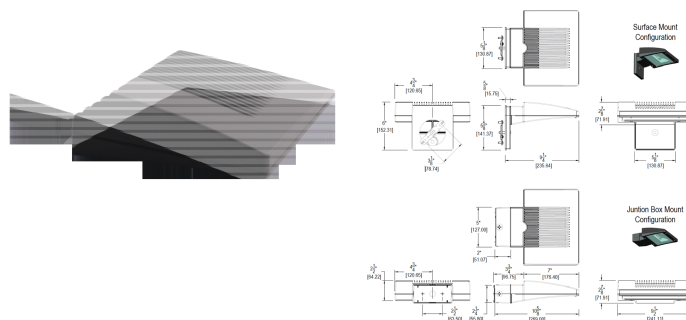


WPLED26Y

26 Watt LED Wallpack. Equivalent to 175W MH Wallpack. Includes both junction box and surface mount for recessed box. IESNA Full Cutoff, Fully Shielded optics. 5 Year warranty.

Color: Bronze

Weight: 7.5 lbs



LED Info

Watts: 26
 Color Temp: 3000K (Warm)
 Color Accuracy: 84
 L70 Lifespan: 0
 LM79 Lumens: 1,162
 Efficacy: 39 LPW

Driver Info

Type: Constant Current
 120V: 0.26 A
 208V: 0.16 A
 240V: 0.14 A
 277V: 0.12 A
 Input Watts: 30W
 Efficiency: 87%

Technical Specifications

UL Listing:

Suitable for wet locations. Suitable for mounting within 4' of the ground.

Country of Origin:

Designed by RAB in New Jersey and assembled in the USA by IBEW Local 3

Buy American Act Compliant:

This product is a COTS item manufactured in the United States, and is compliant with the Buy American Act.

Recovery Act (ARRA) Compliant:

This product complies with the 52.225-21 "Required Use of American Iron, Steel, and Manufactured Goods-- Buy American Act-- Construction Materials (October 2010)

Trade Agreements Act Compliant:

This product is a COTS item manufactured in the United States, and is compliant with the Trade Agreements Act.

GSA Schedule:

This product is suitable for listing on the GSA Schedule of the US General Services in accordance with FAR Subpart 25.4:

Finish:

Chip and fade resistant polyester powder coat finish.

Color Stability:

RAB LEDs exceed industry standards for chromatic stability.

Color Uniformity:

RAB's range of CCT (Correlated color temperature) follows the guidelines of the American National Standard for Specifications for the Chromaticity of Solid State Lighting (SSL) Products, ANSI C78.377-2008.

Ambient Temperature:

Suitable for use in 40C ambient temperatures.

Fixture Efficacy:

38.6 Lumens per Watt

Color Accuracy:

84 CRI

Color Temperature (Nominal CCT):

3000K

LED Light Engine:

Multi-chip 26W high output long life LED Driver
 Constant Current, 720mA, Class 2, 6 KV Surge Protection, 100V-277V, 50-60 Hz, 100-240V .4 Amps

Cold Weather Starting:

The minimum starting temperature is -40C

Heatsink:

Cast aluminum thermal management system for optimal heat sinking. The LPACK is designed for cool operation, most efficient output and maximum LED life by minimizing LED junction temperature.

California Title 24:

WPLED complies with California Title 24 building and electrical codes.

Equivalency:

The WPLED26 is Equivalent in delivered lumens to a 175W Metal Halide Wallpack.



WPLED26Y - continued

HID Replacement Range:

The WPLED26 can be used to replace 150 - 200W Metal Halide Wallpacks based on delivered lumens.

Green Technology:

RAB LEDs are Mercury, Arsenic and UV free.

Patents:

The WPLED design is protected by U.S. PATENT D608,040 and patents pending in the U.S., Canada, China, Taiwan and Mexico.

For use on LEED Buildings:

IDA Dark Sky Approval means that this fixture can be used to achieve LEED Credits for Light Pollution Reduction

Dark Sky Approved:

The International Dark Sky Association has approved this product as a full cutoff, fully shielded luminaire.