

# WPLED13

13 Watt high performance LED Wallpack with 5 conduit entry points. Equivalent to 150W MH. Includes both junction box and surface mount for recessed box. IESNA Full Cutoff, Fully shielded optics. Mount at 11-20'. 5 year warranty.

Color: Bronze

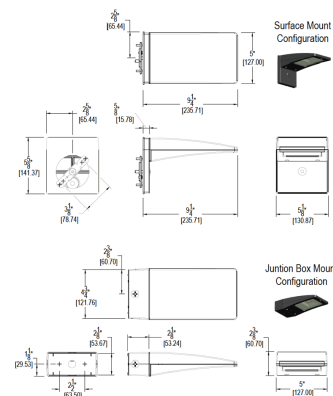
Weight: 3.3 lbs

## LED Info

Watts: 13  
 Color Temp: 5000K (Cool)  
 Color Accuracy: 66  
 L70 Lifespan: 0  
 LM79 Lumens: 1,064  
 Efficacy: 71 LPW

## Driver Info

Type: Constant Current  
 120V: 0.13 A  
 208V: 0.08 A  
 240V: 0.07 A  
 277V: 0.06 A  
 Input Watts: 15W  
 Efficiency: 87%



## Technical Specifications

### UL Listing:

Suitable for Wet Locations as a Downlight. Suitable for Damp Locations as an Uplight. Wall Mount only. Suitable for Mounting within 4ft. of ground.

### Country of Origin:

Designed by RAB in New Jersey and assembled in Taiwan

### Trade Agreements Act Compliant:

This product is a product of Taiwan and a "designated country" end product that complies with the Trade Agreements Act.

### GSA Schedule:

This product is suitable for listing on the GSA Schedule of the US General Services in accordance with FAR Subpart 25.4

### Cold Weather Starting:

The minimum starting temperature is -40F/-40C

### Ambient Temperature:

Suitable for use in 50C (122F) ambient temperatures

### LED Light Engine:

Multi-chip 13W high output long life LED Driver  
 Constant Current, Class 2 100V - 277V, 50/60 Hz

### Surge Protection:

4kv

### Color Temperature (Nominal CCT):

5000 K

### Fixture Efficacy:

71 Lumens per Watt

### Color Accuracy:

66 CRI

### Lumen Maintenance:

The LED will deliver 70% of its initial lumens at 50,000 hours of operation.

### Finish:

Chip and fade resistant polyester powder coat finish.

### Color Stability:

RAB LEDs exceed industry standards for chromatic stability.

### Color Uniformity:

RAB's range of CCT (Correlated color temperature) follows the guidelines of the American National Standard for Specifications for the Chromaticity of Solid State Lighting (SSL) Products, ANSI C78.377-2008.

### Green Technology:

RAB LEDs are Mercury and UV free.

### Dark Sky Approved:

The International Dark Sky Association has approved this product as a full cutoff, fully shielded luminaire.

### For use on LEED Buildings:

IDA Dark Sky Approval means that this fixture can be used to achieve LEED Credits for Light Pollution Reduction.

### Patents:

The design of the LPACK is protected by U.S. Pat. D604,004 and patents pending in Canada, China and Taiwan.

### IESNA LM-79 & IESNA LM-80 Testing:

RAB LED luminaires have been tested by an independent laboratory in accordance with IESNA LM-79 and 80, and have received the Department of Energy "Lighting Facts" label.

**RAB**  
LIGHTING

Tech Help Line: 888 RAB-1000

Email: sales@rabweb.com

On the web at: www.rabweb.com

Copyright ©2012 RAB Lighting, Inc. All Rights Reserved

Note: Specifications are subject to change without notice

Page 1 of 2

WPLED13 - continued

**Gaskets:**

High Temperature Silicone

**Warranty:**

RAB LED fixtures give you peace of mind because both the fixture and light engine components are backed by RAB's 5 Year Warranty. For more information,

**Equivalency:**

The WPLED13 is Equivalent in delivered lumens to a 100W Metal Halide Wallpack.

**HID Replacement Range:**

The WPLED13 can be used to replace 70-150W Metal Halide Wallpacks based on delivered lumens.

**DLC Listed:**

This product is on the Design Lights Consortium (DLC) Qualified Products List and is eligible for rebates from DLC Member Utilities.

