

Available accessories include polyshield and wire guards, replacement lens and frame, and an occupancy sensor.

Color: N/A

Weight: 0.4 lbs

Project:

Type:

Prepared By:

Date:

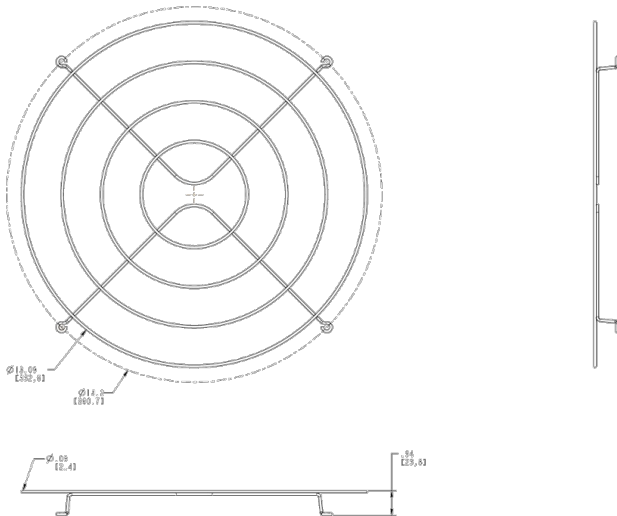
## Technical Specifications

### Other

### Description:

Guard wire for highbay 78W LED with stainless steel screws.

### Dimensions



### Features

Fully compatible with BAYLED and AISLED fixtures

Commercial grade

For assistance in ordering please contact RAB customer service 1 888-RAB-1000

## Ordering Matrix

Family	Compatibility	Voltage Amps	Material
GDBAYLED	78 = 78W BAYLED 78W = 78W BAYLED	800 = 800VA	W = Wire P = Polyshield FP = Frosted Polyshield