

<b>Project:</b>	<b>Type:</b>
<b>Prepared By:</b>	<b>Date:</b>

## Technical Specifications

**Other**

**Description:**

Guard polyshield frosted for highbay 78W LED with stainless steel screws and spacer.

**Buy American Act Compliant:**

This product is a COTS item manufactured in the United States, and is compliant with the Buy American Act.

**Recovery Act (ARRA) Compliant:**

This product complies with the 52.225-21 "Required Use of American Iron, Steel, and Manufactured Goods-- Buy American Act-- Construction Materials (October 2010).

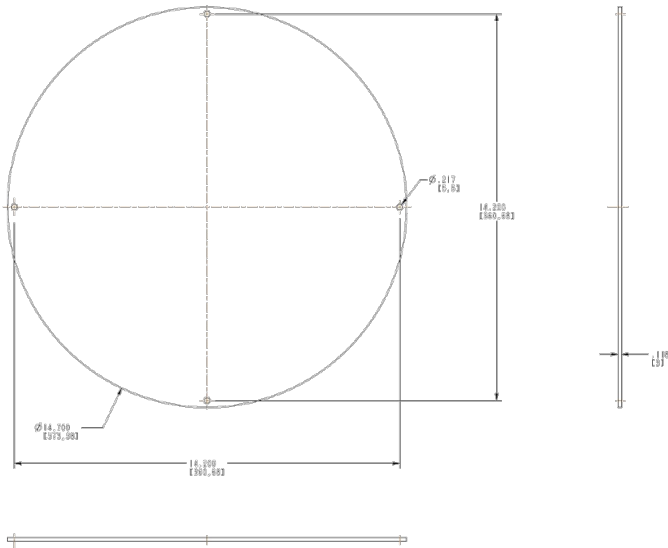
**Trade Agreements Act Compliant:**

This product is a COTS item manufactured in the United States, and is compliant with the Trade Agreements Act.

**GSA Schedule:**

Suitable in accordance with FAR Subpart 25.4.

## Dimensions



## Features

Fully compatible with BAYLED and AISLED fixtures

Commercial grade

For assistance in ordering please contact RAB customer service 1 888-RAB-1000

## Ordering Matrix

Family	Compatibility	Voltage Amps	Material
GDBAYLED			
	78 = 78W BAYLED 78W = 78W BAYLED	800 = 800VA	W = Wire P = Polyshield FP = Frosted Polyshield