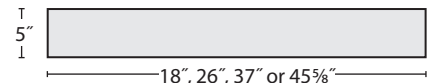


Type:

Job:

[GET A QUOTE >](#)



**A sharper, Euro version of our P3900.**

Four decades after launching our Sky Oculus P3900 we launched a sleeker, more bold and modern big round. Often specified in one of our twenty one premium colors (no set-up fee).

**P4030-LED35-SO-VWA-D1**  
 11889 Delivered Lumens  
 113 Watts  
 106 lm/w  
 LIGHT LAB #L031511001

**LUMEN OUTPUT:  
Direct (D1)**

		LO	MO	SO	HO
<b>18"</b>	lm	950	1650	1950	2150
	w	19	33	39	47
<b>2'</b>	lm	2100	3150	3900	5300
	w	35	54	67	97
<b>3'</b>	lm	5800	9100	11889	17700
	w	56	87	113	177
<b>4'</b>	lm	9200	11500	18200	28000
	w	88	110	174	281



Lumen output may vary +/- 5%  
 3500K used for lm/ft estimates above  
 4000K +2% llf, 3000K -2%, 2700K -4%  
 -10% LLF for 90 CRI (4K, 3500K and 3K)

See LED Details PDF for more info

[GET A QUOTE >](#)

SERIES	LED COLOR	OUTPUT	SHIELDING	COLOR/FINISH	DISTRIBUTION	CIRCUITING	VOLTAGE	MOUNTING	CEILING SYSTEMS	DRIVERS	OPTIONS & CONTROLS
P4018 18" Dia. (11 lbs)	LED27 2700K (90CRI)	LO Low MO Medium	FWA Flat White Acrylic Lens (Standard)	TMW Textured Matte White (Standard)	D1 Direct	SC Single Circuit	UNV (120- 277)	SUR Surface Mount	X1 T-Bar 1 1/16" or 3/16" Exposed (Standard) Consult factory for 3/8" Tegular	ND Non-Dimming, Osram DM10 0-10v, 10% Dimming (Standard) DM01 0-10v, 1% Dimming STEP Step Dimming, 100-50-Off, Osram	EML Emergency Battery, Low (P4018: 400; P4020: 500; P4030 & P4040: 900 deliv- ered lumens)
P4020 2" Dia. (22 lbs)	LED3 3000K	SO Standard	VVA Con- vex White Acrylic Lens (1" Max drop)	YGW Gloss White	D9 Semi- Direct (20-30% uplight, NA Surface) To specify more or less Uplight, see Output.	DC Dual Circuit (Two feeds required, D9 only)	347 (Emer- gency battery requires a Step Down trans- former)	MPCA Monopoint Mounting Specify MPCA length: 48", 96" or 144" (For 18" & 2' - 9" min. from fixt. to ceiling, for 3' & 4' fixt. 18" from fixt. to ceiling.)	X3 Hard Ceiling X6 Slot Grid or Interlude	NOTE: Lumens and watts per foot may differ for STEP drivers, consult factory LDE5 5%, Lutron (Ecosystem) LDE1 1%, Lutron (Soft Fade to Black, Ecosystem) L3DA 1%, Lutron, 3 Wire	EMH Emergency Battery, High (NA - 18" & 2', P4030 & P4040: 1250 delivered lumens)
P4030 3" Dia. (35 lbs)	LED35 3500K	HO High		Y Premium Color	NOTE: NA - 18", 2' D9 DC LO		CA48", 96" or 144"	SSC Top- Swivel Stem Mount for Hard Ceilings (Specify length in inches)		ECO 1% 0-10v, EldoLED ECDA 1% DALI, EldoLED SOLO 0.1% 0-10v, EldoLED (Dim to Dark) SODA 0.1% DALI, EldoLED (Dim to Dark)	IBR Insulated Braided Cord
P4040 4" Dia. (50 lbs)	LED4 4000K LED35- 90 90CRI LED35- 90 90CRI LED4- 90 90CRI	PROG Program- mable Light Output (Specify desired lm or w/ fixture)		CC Custom Color	NOTE: Top plate is always Gloss White for optical performance. All canopies are painted the same color as the fix- ture unless speci- fied otherwise.	NOTE: 18" mini- mum from fixture to ceiling recom- mended.	CA48", 96" or 144" Aircraft Cable (Adjustable)				PRUBIN Meticulous Binning and Labeling Every LED Board Within a 2-Step MacAd- ams Ellipse



# P4000 Sky | Pendant & Surface



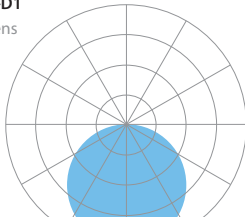
PRUDENTIAL LTG.

PRULITE.COM 213.746.0360

## D1

### P4030-LED35-SO-FWA-D1

11889 Delivered Lumens  
113 Watts  
106 lm/w  
LIGHT LABS TEST  
#L031511001



#### Zonal Lumen Summary:

0-90 = 100%

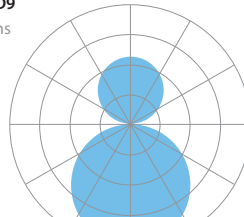
4543

Vertical Angle	0	25	45	65	90
0	4543	4543	4543	4543	4543
5	4524	4524	4524	4524	4524
15	4353	4353	4353	4353	4353
25	4034	4034	4034	4034	4034
35	3584	3584	3584	3584	3584
45	2935	2935	2935	2935	2935
55	2081	2081	2081	2081	2081
65	1282	1282	1282	1282	1282
75	527	527	527	527	527
85	126	126	126	126	126
90	0	0	0	0	0

## D9

### P4030-LED4-LO-FWA-D9

6140 Delivered Lumens  
59 Watts  
104 lm/w  
LIGHT LABS TEST  
#L041411809



#### Zonal Lumen Summary:

0-90 = 67%

90-180 = 33%

1601

Vertical Angle	0	25	45	65	90
0	1601	1601	1601	1601	1601
5	1591	1591	1591	1591	1591
15	1528	1528	1528	1528	1528
25	1409	1409	1409	1409	1409
35	1243	1243	1243	1243	1243
45	1039	1039	1039	1039	1039
55	810	810	810	810	810
65	583	583	583	583	583
75	339	339	339	339	339
85	119	119	119	119	119
90	0	0	0	0	0
95	40	35	31	30	33
115	141	151	178	173	169
125	256	219	223	263	258
135	351	353	357	358	354
145	445	446	449	450	446
155	529	529	531	531	528
165	592	592	592	591	589
175	626	629	629	624	622
180	629	629	629	629	629

## LUMEN OUTPUT: Direct/Indirect (D9)

D1 ON  
PREVIOUS  
PAGE

	LO	MO	SO	HO	UPLIGHT	
18":	lm	1765	3300	3500	4200	30%
	w	23	42	47	58	
2':	lm	3750	5250	6550	9350	14%
	w	43	59	76	110	
3':	lm	5570	8880	11300	16950	19%
	w	60	95	125	194	
4':	lm	9740	14300	19190	28250	25%
	w	97	142	193	296	

## LUMEN MAINTENANCE

Designed to last with cool running mid-power LEDs projected to maintain 90% (L90) of their initial output for 100,000 hours (at HO), and L70 exceeding 150,000 hours.

## LED SYSTEM

LED modules and drivers are field replaceable.

## PROG (OPTIONAL)

Programmable light output. Specify desired lumens or watts per fixture.

## BINNING

Standard binning (all Prudential LED boards) includes testing at the chip level and board integration to provide consistent color temperature within a 3-step MacAdams ellipse, with +/- 5% lumen output range and +/- .004 Duv.

## PRUBIN™ (OPTIONAL)

Prudential Ltg's exclusive 'job binning' method that ensures color temperature consistency across all luminaires on a project. Meticulously testing and labeling EVERY LED BOARD to +/- 25 lumens, +/- 50k CCT and +/- .004 Duv — while also separating positive from negative — allows us to match color, hue and intensity throughout a project and provides a consistent color temperature within a 2-step MacAdams ellipse

## LABELS

ETL damp labeled and I.B.E.W. manufactured.

## ELECTRICAL

Must specify LED dimming controls. LED fixtures have constant current driver(s) with less than 20% THD when loaded to a minimum of 60%. Drivers sink a maximum of 6mA per driver. DM10 LED drivers are 0-10V dimmable and are compatible with most 0-10V wall slide dimmers and direct 0-10V analog signal dimmers. Max driver size 2.38" w x 1.5" h.

## CONSTRUCTION

### Housing

Extruded aluminum, rolled and welded, >25% PC recycled, 100% recyclable

### Lens

Convex (subtle drop mitigates lamp image) or flat acrylic, 100% recyclable

## MOUNTING

Surface or suspended by straight aircraft cables, top-swivel stems

## WARRANTY

Single-source, 5 year limited warranty covers standard components and construction.



Prudential Ltg. reserves the right to change design specifications or materials without notice. Please visit prulite.com for most current data.  
© 2014 All rights reserved - All products manufactured at: Prudential Ltg. 1774 E. 21st Street, Los Angeles, CA 90058



<b>NEW</b> YSW – Seashell White (Matte)	<b>NEW</b> YCH – Champagne (Metallic)
YSL – Silver (Metallic)	YPE – Pewter (Matte)
YRG – Rain Grey (Gloss)	YSTM – Storm Grey (Matte)
<b>NEW</b> YBK – Black (Matte)	YBB – Black (Semi Gloss)
YSKM – Sky (Matte)	<b>NEW</b> YMB – Military Blue (Matte)
<b>NEW</b> YIB – Interstate Blue (Matte)	YSAM – Sapphire (Matte)
<b>NEW</b> YFGM – Forest Green (Matte)	YBR – Bronze (Matte)
YBY – Boysenberry (Matte)	YSRM – Sunset Red (Matte)
<b>NEW</b> YOR – Orange (Matte)	YDAM – Daffodil (Matte)

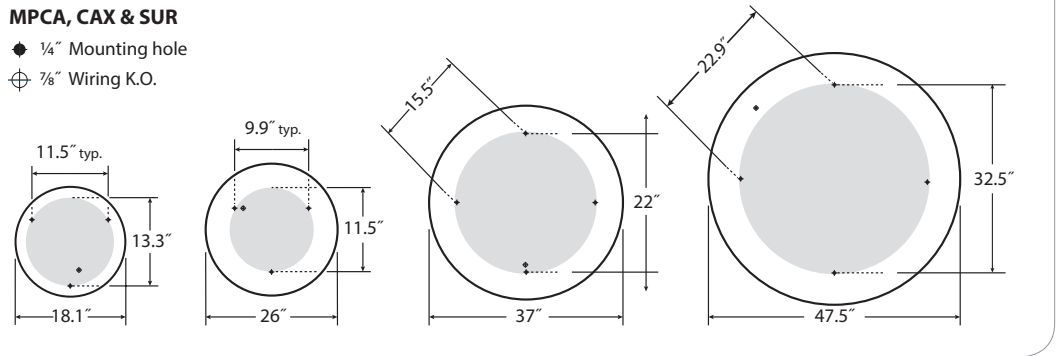


Client | Mercedes Benz Architect | Interior Architects

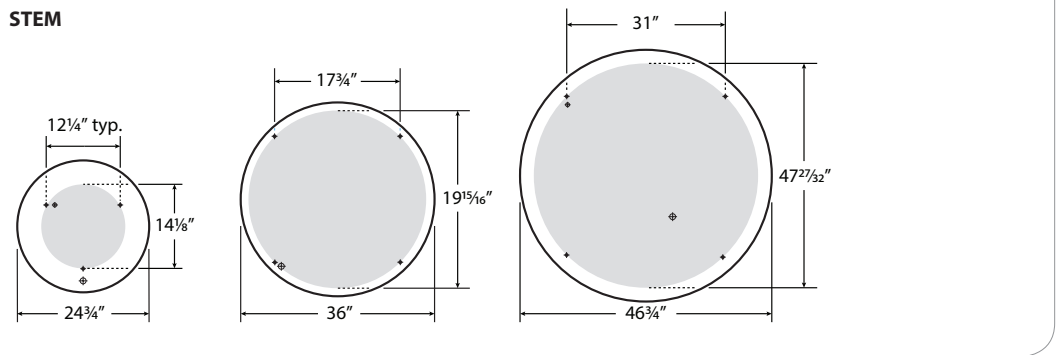
**MOUNTING LOCATIONS**

**MPCA, CAX & SUR**

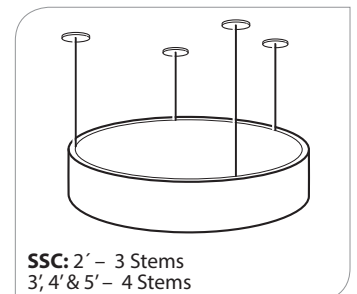
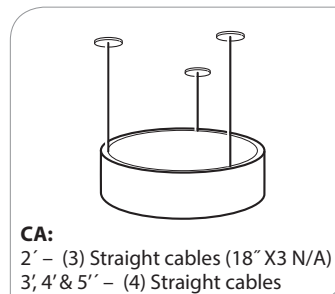
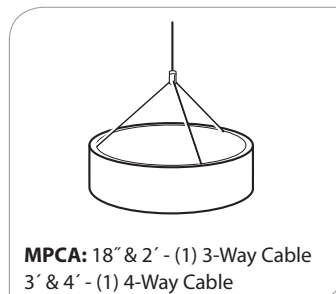
- ◆ ¼" Mounting hole
- ⊕ ⅝" Wiring K.O.



**STEM**



**MOUNTING CABLES**



Choose from one of our Premium Colors with no set-up fee.

For paint chip samples, please e-mail: [info@prulite.com](mailto:info@prulite.com)