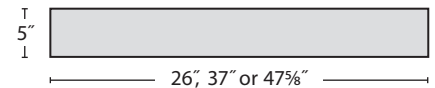


4" aperture for all sizes,
5" body width

Type:

Job:

[GET A QUOTE](#)



This is O.

It's essentially the P4000's (way more fun) twin. We've reinterpreted the popular original into a playful ring of light. It's a donut-shaped O — as in the shape your mouth makes when you see it.

O-30-LED35-SO-FWA-D1
 3397 Delivered Lumens
 76 Watts
 45 lm/w
 3500 CCT
 Light Labs Test
 #L041502501

**LUMEN OUTPUT:
Direct (D1)**

	LO	MO	SO	HO
O-20: lm/w	1050	1500	2100	2600
	24	34	47	70
O-30: lm/w	1650	2140	3400	3850
	37	48	76	103
O-40: lm/w	2200	2800	4600	5100
	49	62	105	139



Lumen output may vary +/- 5%
 4000K used for lm/ft estimates above
 3500K -2% llf, 3000K -4%, 2700K -6%
 -10% LLF for 90 CRI (4K, 3500K and 3K)

[See LED Details PDF for more info](#)

SE-RIES	LED COLOR	OUTPUT	SHIELD-ING	COLOR/FINISH	DISTRIBU-TION	CIRCUIT-ING	VOLT-AGE	MOUNT-ING	CEILING SYSTEMS	DRIVERS	OPTIONS & CONTROLS
O-20 2' Dia. (17 lbs)	LED27 2700K (90CRI)	LO Low MO Medium	FWA Flat White Acrylic Lens	TMW Textured Matte White	D1 Direct Solid Top NOTE: Only 1 row of LEDs	SC Single Circuit	UNV (120- 277)	SUR Surface Mount (NA with T-Bar)	X1 T-Bar 1 1/16" or 9/16" Exposed (Standard) Consult fac- tory for 3/8" Tegular	ND Non-Dimming DM10 0-10v, 10% Dimming (Standard) DM01 0-10v, 1% Dimming	EML* Emergency Battery, Low (400 delivered lumens, NA on 2')
O-30 3' Dia. (27 lbs)	LED3 3000K	SO Standard HO High		YGW Gloss White (Standard)	D9 Semi-Direct NOTE: ~17% Up- light, 83% Down. To specify more or less Uplight, see Output	DC Dual Circuit (Two feeds required, D9 only)	347 (Emer- gency battery requires a Step Down trans- former)	MPCA Monopoint Mounting (18" min from fixture to ceiling)	X3 Hard Ceiling	STEP Step Dimming, 100-50-Off, Osram NOTE: Lumens and watts per foot may differ for STEP drivers, consult factory	EMH* Emergency Battery, High (550 delivered lumens, NA on 2')
O-40 4' Dia. (34 lbs)	LED35 3500K LED4 4000K LED3-90 90CRI LED35- 90 90CRI LED4-90 90CRI	PROG Program- mable Light Output (Specify desired lm or w/fixture) NOTES: Specify separate output Down / Up if desired eg. LO/HO (Low Down, High Up) Consult factory for uplight lumen output O-20: NA LO or MO Uplight unless Downlight is same output level		Y___ Premium Color CC Custom Color NOTE: All canopies are painted the same color as the fix- ture unless specified otherwise	NOTE Recom- mended distance to hang from ceiling to top of fixture to avoid hotspots; O-20: 18", O-30: 24", O-40: 30"		CA48", 96" or 144" Aircraft Cable (Adjustable) SSC Top-Swivel Stem Mount (X3 only - Specify length)	X6 Slot Grid or Interlude	LDE5 5%, Lutron (Ecosystem) LDE1 1%, Lutron (Soft Fade to Black, Ecosystem) L3DA 1%, Lutron, 3 Wire ECO 1% 0-10v, EldoLED ECDA 1% DALI, EldoLED SOLO 0.1% 0-10v, EldoLED (Dim to Dark) SODA 0.1% DALI, EldoLED (Dim to Dark)	IBC Insulated Braided Cord PRUBIN Meticu- lous Binning and Labeling every LED Board within a 2-Step MacAd- ams Ellipse *SUR -remote mount only, within 30' of fixture, NA on 2'	



D1

Standard Output:

O-30-LED35-SO-FWA-D1

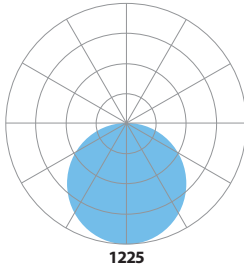
3397 Delivered Lumens

76 Watts

45 lm/w

3500 CCT

Light Labs Test #L041502501



Zonal Lumen Summary:

0-90 = 100%

Vertical Angle	0	25	45	65	90
0	1225	1225	1225	1225	1225
5	1217	1217	1217	1217	1217
15	1166	1166	1166	1166	1166
25	1070	1070	1070	1070	1070
35	937	937	937	937	937
45	777	777	777	777	777
55	598	598	598	598	598
65	421	421	421	421	421
75	233	233	233	233	233
85	63	63	63	63	63
90	0	0	0	0	0

D9

Medium Output:

O-30-LED4-MO-FWA-D9

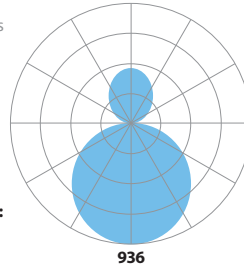
3600 Delivered Lumens

59 Watts

61 lm/w

4000 CCT

Light Labs Test #L041502002



Zonal Lumen Summary:

0-90 = 75%

90-180 = 25%

Vertical Angle	0	25	45	65	90
0	936	936	936	937	936
5	931	930	931	931	931
15	891	891	891	892	892
25	816	816	817	817	817
35	713	713	714	714	714
45	590	590	591	591	591
55	453	453	453	453	454
65	317	316	316	316	316
75	172	172	172	172	172
85	44	44	44	43	43
90	0	0	0	0	0
95	22	21	20	20	20
115	114	114	113	114	112
125	197	168	168	169	167
135	228	231	234	233	231
145	293	295	299	297	295
155	352	353	355	354	353
165	397	397	398	397	397
175	420	421	421	421	419
180	424	424	424	424	424

LUMEN OUTPUT:
Direct/Indirect (D9)

D1 ON PREVIOUS PAGE

	LO	MO	SO	HO
O-20: lm/w	1850	2500	4200	4650
	32	42	70	92
O-30: lm/w	3100	3600	6300	7325
	51	59	111	143
O-40: lm/w	3725	4500	7600	9350
	62	75	136	181

LUMEN MAINTENANCE

Designed to last with cool running mid-power LEDs projected to maintain 90% (L90) of their initial output for 100,000 hours (at HO), and L70 exceeding 150,000 hours.

LED SYSTEM

LED modules and drivers are field replaceable.

PROG
(OPTIONAL)

Programmable light output. Specify desired lumens or watts, consult factory for min and max on Sky Oculus Series.

BINNING

Standard binning (all Prudential LED boards) includes testing at the chip level and board integration to provide consistent color temperature within a 3-step MacAdams ellipse. +/- 100 lumens, +/- 100k CCT and +/- .004 Duv

PRUBIN™
(OPTIONAL)

Prudential Ltg's exclusive 'job binning' method that ensures color temperature consistency across all luminaires on a project. Meticulously testing and labeling EVERY LED BOARD to +/- 25 lumens, +/- 50k CCT and +/- .004 Duv — while also separating positive from negative — allows us to match color, hue and intensity throughout a project and provides a consistent color temperature within a 2-step MacAdams ellipse.

LABELS

ETL damp labeled and I.B.E.W. manufactured.

ELECTRICAL

Must specify LED dimming controls. LED fixtures have constant current driver(s) with less than 20% THD when loaded to a minimum of 60%. Drivers sink a maximum of 6mA per driver. DM10 LED drivers are 0-10V dimmable and are compatible with most 0-10V wall slide dimmers and direct 0-10V analog signal dimmers.

CONSTRUCTION

Housing

Extruded aluminum, rolled and welded, >25% PC recycled, 100% recyclable

Lens

Flat acrylic, 100% recyclable.

MOUNTING

Surface or suspended by aircraft cables, top-swivel stems.

WARRANTY

Single-source, 5 year limited warranty covers standard components and construction.

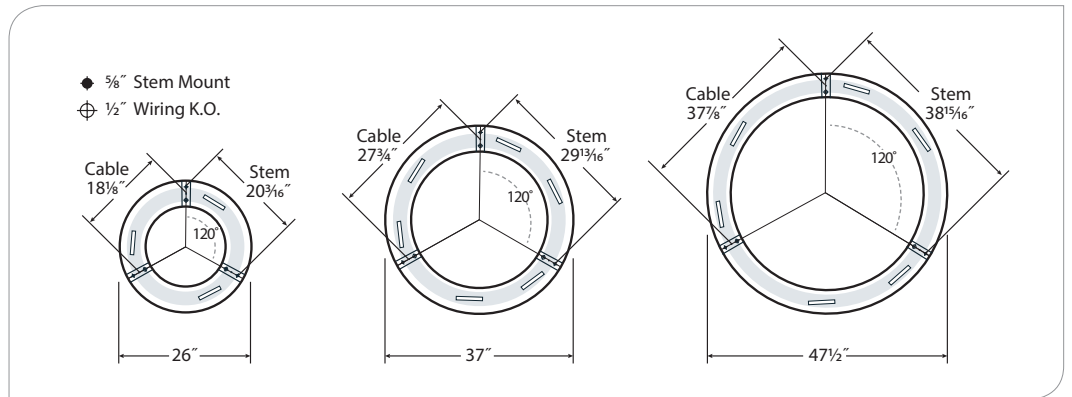




NEW YSW – Seashell White (Matte)	NEW YCH – Champagne (Metallic)
YSL – Silver (Metallic)	YPE – Pewter (Matte)
YRG – Rain Grey (Gloss)	YSTM – Storm Grey (Matte)
NEW YBK – Black (Matte)	YBB – Black (Semi Gloss)
YSKM – Sky (Matte)	NEW YMB – Military Blue (Matte)
NEW YIB – Interstate Blue (Matte)	YSAM – Sapphire (Matte)
NEW YFGM – Forest Green (Matte)	YBR – Bronze (Matte)
YBY – Boysenberry (Matte)	YSRM – Sunset Red (Matte)
NEW YOR – Orange (Matte)	YDAM – Daffodil (Matte)



MOUNTING LOCATIONS



Choose from one of our Premium Colors with no set-up fee.

For paint chip samples, please e-mail: info@prulite.com

MOUNTING OPTIONS

