

PHILIPS
Day-Brite
CFI

Surface

Arioso surface
 perf 2x2

TT5



Project: _____

Location: _____

Cat.No: _____

Type: _____

Lamps: _____ Qty: _____

Notes: _____

The Philips Day-Brite / Philips CFI Arioso surface perf incorporates all the features and benefits of the standard Arioso into a surface luminaire. Whether surface mounting is due to construction constraints or a desire to create style and intimacy, this luminaire offers the ideal solution for ceiling mounting. Arioso surface continues the look and performance of the Arioso family in a slim low profile beautifully contoured model.

Ordering guide

Example: 2SAVC2CF40-PMW-1/2-EB-LPT835

Width	Family	No. of Lamps (not included)	Lamp Type	Shielding	Voltage	Options
2	SAVC	2	—	—	—	
2 2'	SAVC Arioso surface perf	2	CF40 40WTT5 (24") CF50 50WTT5 (24") CF55 55WTT5 (24")	PMW Perforated metal w/ white overlay SPMW 2-piece perforated metal with white overlay	120 277 347 UNV Universal Voltage 120-277V	1/2 One 2-lamp ballast EB Electronic ballast, <10% THD, std. ballast factor EB101 CF40 electronic ballast, instant start, <10% THD EBSD T8 electronic step dimming ballast, .88 ballast factor EBD7 Advance Mark 7 dimming ballast, 0-10V (low voltage) control EBD Electronic dimming ballast, customer specified EBDX Advance Mark 10 dimming ballast, phase control GLR Fusing, fast blow LPT830 Installed lamps, 80+ CRI, 3000K LPT835 Installed lamps, 80+ CRI, 3500K LPT841 Installed lamps, 80+ CRI, 4100K



2SAVC Arioso surface perf 2x2

TT5

Application

- Architectural surface mounted direct/indirect lighting for glare free illumination.
- For applications where plenum depth is limited.
- Easy installation – body mounts to ceiling, and frame snaps into place.
- Style matched to Arioso semi-recessed.

Construction/Finish

- No visible welding, screws, latches, springs, hooks, rivets or plastic supports.
- Soft white baked enamel finish.
- Easy ballast access through removable back reflector.
- Slim 2-1/4" housing provides the perception of a very low profile luminaire.

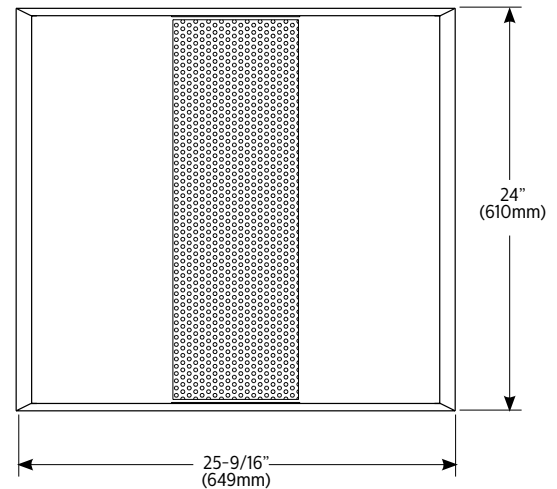
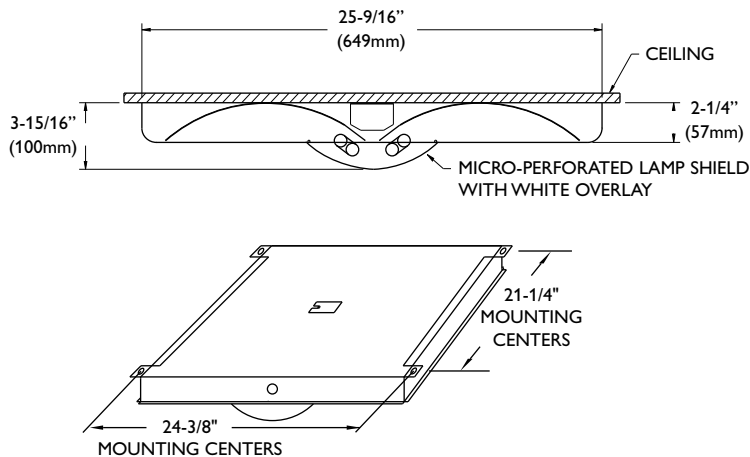
Electrical

- cULus listed for damp locations.
- Self-contained fluorescent emergency power pack can be incorporated.

Enclosure

- Choice of one-piece (PMW) or two-piece (SPMW) lamp shield configuration.
- Micro-perforated mesh lamp shield provides soft awareness of light source.
- Swing down lamp shield for easy relamping.
- Soft white overlay on inside of micro-perforated mesh conceals lamp image and balances reflected and direct light.

Dimensions



2SAVC Arioso surface perf 2x2

TT5

Photometry

Arioso surface perf (PMW) 2x2 2 lamp CF40

Efficiency – 60.9%

LER – 50

TER – 41

Catalog No.	2SAVC2CF40-PMW-1/2-EB	Candlepower				Light Distribution				Average Luminance			
		Angle	End	45	Cross	Degrees	Lumens	% Lamp	% Luminaire	Angle	End	45°	Cross
Test No.	21272	0	1187	1187	1187	0-30	927	14.7	24.2	45	2763	3114	3517
S/MH	1.3	5	1174	1186	1190	0-40	1525	24.2	39.8	55	2385	3058	3700
Lamp Type	40WTT5	15	1124	1148	1160	0-60	2753	43.7	71.8	65	1864	3087	4108
Lumens/Lamp	3150	25	1027	1069	1098	0-90	3825	60.7	99.7	75	1342	3386	4809
Ballast Factor	.88	35	888	962	1013	0-180	3835	60.9	100.0	85	691	2967	4885
Input Watts	68	45	714	825	909								
		55	513	681	796								
		65	308	536	679								
		75	148	404	531								
		85	36	182	255								
		95	0	1	13								
		105	0	0	1								
		115	0	0	1								
		125	0	1	1								
		135	0	0	0								
		145	0	0	0								
		155	0	1	1								
		165	0	0	0								
		175	0	0	0								

Coefficients of Utilization												
EFFECTIVE FLOOR CAVITY REFLECTANCE 20 PER (pfc=0.20)												
pcc	80			70			50					
pw	70	50	30	70	50	30	50	30				
RCR												
0	71	71	71	70	70	70			68	68		
1	65	61	58	63	59	57			57	55		
2	58	53	48	56	52	47			50	46		
3	53	46	40	52	45	40			42	39		
4	48	40	34	46	40	34			38	34		
5	45	35	30	42	35	29			34	28		
6	40	33	27	40	32	27			30	26		
7	38	29	23	36	28	23			28	23		
8	34	27	22	34	26	20			26	20		
9	33	25	19	32	23	19			23	19		
10	30	23	17	29	22	17			22	17		

Comparative yearly lighting energy cost per 1000 lumens – **\$4.80** based on 3000 hrs. and \$.08 pwr KWH.

The photometric results were obtained in the Philips Day-Brite laboratory which is NVLAP accredited by the National Institute of Standards and Technology.



Some luminaires use fluorescent or high intensity discharge (HID) lamps that contain small amounts of mercury. Such lamps are labeled, "Contain Mercury" and/or the symbol "HG". Lamps that contain mercury must be disposed of in accordance with local requirements. Information regarding lamp recycling and disposal can be found at www.lamprecycle.org

