



Type:	Project:	Qty:
	Date:	
Catalog #:		

**Description:**

The Regolo RT6 series is a nominal 6" profile recessed trimless LED luminaire. The slender design is ideal for corridors, open and private offices, classrooms, lobbies and general purpose rooms.

**Specifications:**

**Construction:** The housing consists of extruded aluminum side rails with formed cold rolled steel back channel and heavy gauge end caps. Housing can be joined together for continuous row applications. Standard finish is powder coat textured white. Optional silver, black or custom color paint finishes.

**Reflector / Driver:** Reflector / driver cover is finished with high reflectance white paint. Optional asymmetric semi-specular aluminum reflector. Standard constant current electronic driver with 0-10V dimming input; dimming range from 100% down to 10%. Universal (UNV) voltage is from 120 - 277V, 50/60 Hz.

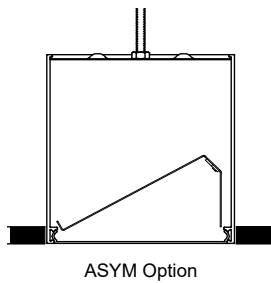
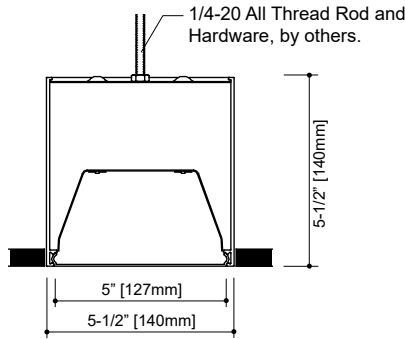
**Shielding:** Extruded frosted acrylic or satin white acrylic snap-in lens with DR.

**LED Module:** Distributed LED array in a variety of lumen output packages. LED color is available in (L30) 3000K, (L35) 3500K or (L40) 4000K. Module is replaceable. L90 ≥ 100,000 hours.

**Mounting:** Recessed, individual or continuous row.

**Labels:** ETL listed, conforms to UL Standard 1598 / 8750 and CSA Standard C22.2, Damp location.

**Warranty:** 5-year limited warranty on LED and Driver.



**Ordering Information**

Sample: RT6-05L35-UNV-D0-1C-FRF-WH-20'

Series	Lumen Package <sup>1</sup> / Color	Voltage	Driver	Circuit	Shielding	Color	Length	Options
RT6								
RT6 (Trimless - Nom. 6")	05 (~571 lm/ft, 4.85W/ft)	L30	UNV	Dimming (0-10V) D <sup>2</sup> (Dim to 10%) D1 <sup>3</sup> (Dim to 1%) D0 <sup>3</sup> (Dim to 0%) Lutron Dimming See Page 2 for Ordering Codes DALI Dimming eldoLED ECOdrive ELE (Dim to 1%) eldoLED SOLOdrive ELS (Dim to 0%)	1C Single Circuit	FRF (Frosted Flush)	WH (White - Standard)	OS End of run Occupancy Sensor DS End of run Daylight Sensor ASYM <sup>5</sup> Asymmetric Reflector GLR Fusing See Accessories for Corners and Downlight Modules
	06 (~728 lm/ft, 6.38W/ft)	L35	120		1E Single Circuit w/ EM Circuit	STF (Satin White Flush)	BK (Black)	
	09 (~882 lm/ft, 7.79W/ft)	L40	277		1B Single Circuit w/ Battery Pack	Consult factory for uplight shielding or dust cover.	SV (Silver)	
	10 (~1035 lm/ft, 9.39W/ft)						CC (Custom Color)	
	13 (~1269 lm/ft, 11.6W/ft)							
	17 (~1576 lm/ft, 14.6W/ft)							
	Consult Factory for Custom Lumen Package						Continuous Runs <sup>4</sup> XX' Specify run length in 1 foot increments. Consult factory for custom lengths.	

SHOP NOW >

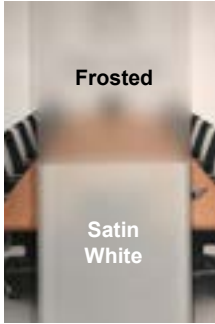
**Notes:**

- Nominal lumen output per foot w/ frosted lens and 3500K.
- Standard driver, don't connect low-voltage wires for non-dimming applications. Consult factory for specifications and manufacturer.
- Consult factory for specifications and manufacturer.
- 6" increments are common custom lengths. We can provide custom run length down to the nearest (+/- 1/8").
- Only available with Frosted Flush lens.



Lens Options

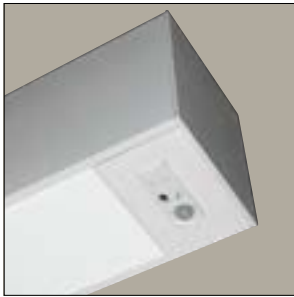
Shielding



**Frosted Lens**  
This diffuser is designed for a balance between efficiency and lens uniformity. (Transmission ~ 89%)

**Satin White Lens**  
This diffuser is designed for visible lens uniformity. It's recommended for regressed lens configuration in our shallow housing. (Transmission ~ 69%)

Sensor Option

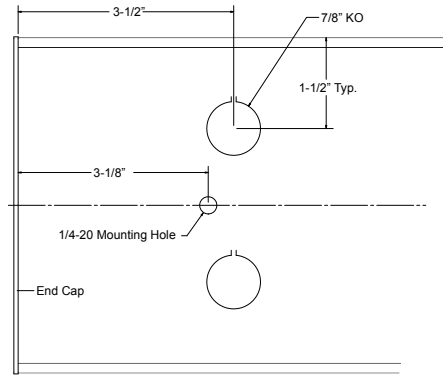


Lutron Driver Ordering Codes

Nulite Code	Lutron Prefix	Lutron Series	Dim Level	Control Type	
				3-Wire	Eco-System™
L11	L3DAE	Hi-lume™	1%		Yes
L12	L3DA3W	Hi-lume™	1%	Yes	
L15	LDE1*	Hi-lume™ - H Series	1%		Yes
L16	LDE5	5-Series	5%		Yes

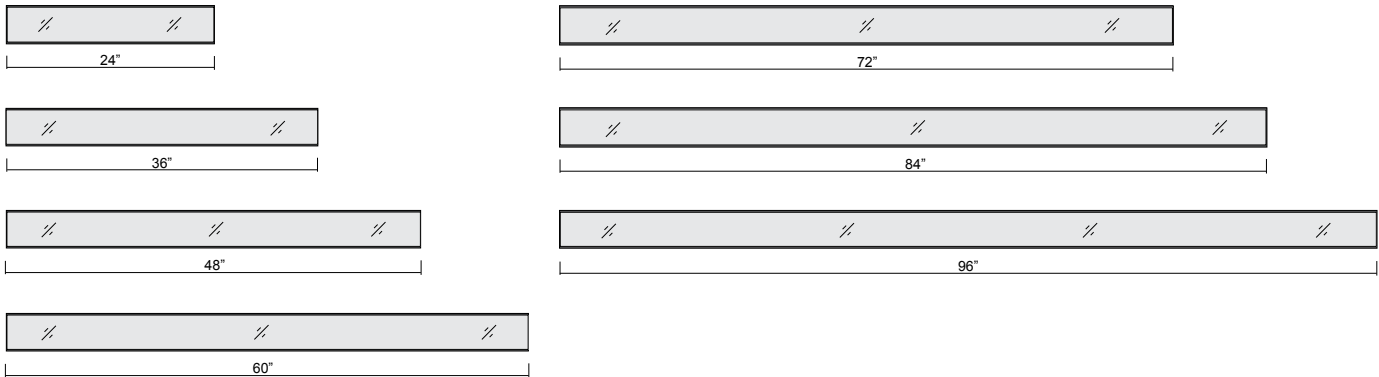
\* Soft-on, Fade-to-Black™

Back of Housing Mounting Holes & Power Feed KO



Typical End of Housing Detail

Individual Lengths



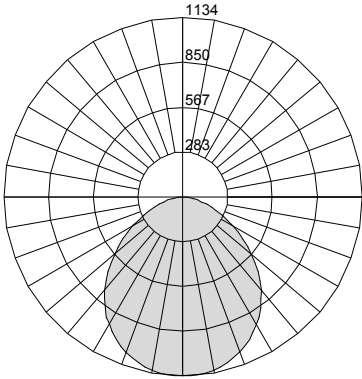
Continuous Run Lengths

Run Length		2'	3'	4'	5'	6'	7'	8'	9'	10'	11'	12'	13'	14'	15'	16'	17'	18'	19'	20'	21'	22'	23'	24'	25'	26'	27'	28'	29'	30'	31'	32'	33'	34'	35'	36'	37'	38'	39'	40'	41'	42'	43'	44'													
Number of Housings	2'	1																																																							
	3'		1																																																						
	4'			1							1	1	1	1				1	1	1	1						1	1	1	1				1	1	1	1						1	1	1	1											
	5'				1							1										1						1																													
	6'					1							1										1																																		
	7'						1							1																																											
	8'							1							1	1	1	1	1	1	1	1	2	2	2	2	3	2	2	2	3	3	3	3	4	3	3	3	3	4	4	4	4	4	4	4	5	4	4	4	4	5					

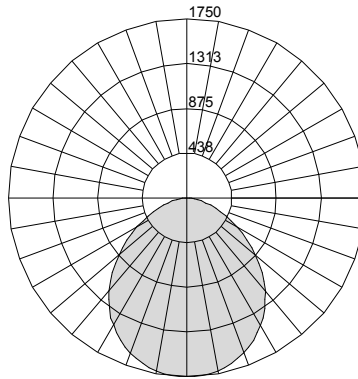
Specifications and dimensions are subject to change without notification.

Photometric Curves

Cat. # RT6-05L35-...-FRF-...-4'  
 Wattage/ft - 4.85  
 Lumens/Watt - 118



Cat. # RT6-09L35-...-FRF-...-4'  
 Wattage/ft - 7.79  
 Lumens/Watt - 113



Cat. # RT6-05L35-...-FRF-...-4'-ASYM  
 Wattage/ft - 5.25  
 Lumens/Watt - 109

