



Type:	Project:	Qty:
	Date:	
Catalog #:		

Description:

The Regolo RT2 series is a narrow, nominal 2" wide, recessed trimless LED luminaire. The slender design is ideal for corridors, open and private offices, classrooms, lobbies and general purpose rooms.

Specifications:

Construction: The housing consists of visible extruded aluminum side rails with formed cold rolled steel back channel and heavy gauge end caps. Housing can be joined together for continuous row applications. Standard finish is powder coat textured white. Optional silver, black or custom color paint finishes.

Reflector / Driver: Reflector / driver cover is finished with high reflectance white paint. Standard constant current electronic driver with 0-10V dimming input; dimming range from 100% down to 10%. Universal (UNV) voltage is from 120 - 277V, 50/60 Hz.

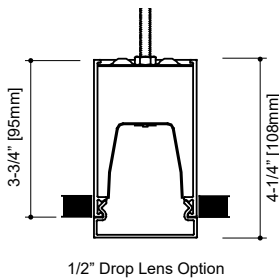
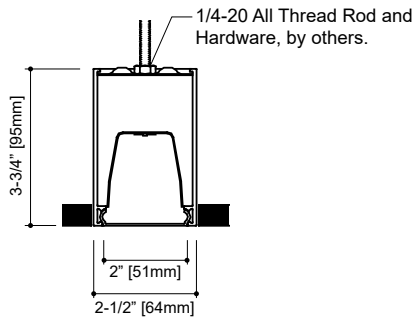
Shielding: Extruded frosted or satin white acrylic snap-in lens with DR.

LED Module: Distributed LED array in a variety of lumen output packages. LED color is available in (L30) 3000K, (L35) 3500K or (L40) 4000K. Module is replaceable. L90 ≥ 100,000 hours.

Mounting: Recessed, individual or continuous row.

Labels: ETL listed, conforms to UL Standard 1598 / 8750 and CSA Standard C22.2, Damp location.

Warranty: 5-year limited warranty on LED and Driver.



Ordering Information

Sample: RT2-05L35-UNV-D1-1C-FRF-WH-20'

Series	Lumen Package ¹ / LED	Voltage	Driver	Circuit	Shielding	Color	Length	Options	
RT2									
RT2 (Trimless - Nom. 2")	03 (~393 lm/ft, 3.28W/ft)	L30	UNV	1C Single Circuit 1E ⁴ Single Circuit w/ EM Circuit 1B ⁴ Single Circuit w/ Battery Pack	FRF (Frosted Flush) FRD (Frosted Drop Opaque End) FRL (Frosted Drop Luminous End) STF (Satin White Flush) STD (Satin White Drop Opaque End) STL (Satin White Drop Luminous End)	WH (White - Standard) BK (Black) SV (Silver) CC (Custom Color)	2'	OS ⁶ End of run Occupancy Sensor DS ⁶ End of run Daylight Sensor FLEX 6' of Flex GLR Fusing See Accessories for Corners	
	05 (~573 lm/ft, 4.85W/ft)	L35	120				D ² (Dim to 10%) D1 ³ (Dim to 1%) D0 ³ (Dim to 0%)		3'
	06 (~732 lm/ft, 6.38W/ft)	L40	277				Lutron Dimming		4'
	09 (~886 lm/ft, 7.79W/ft)						See Page 2 for Ordering Codes		5'
							DALI Dimming		6'
	Consult Factory for Custom Lumen Package			eldoLED ECOdrive ELE (Dim to 1%) eldoLED SOLOdrive ELS (Dim to 0%)			7'	Continuous Runs ⁵ XX' Specify run length in 1 foot increments. Consult factory for custom lengths.	
					8'				

SHOP NOW >

Notes:

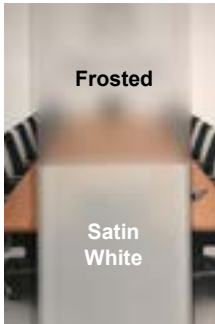
- Nominal lumen output per foot w/ frosted lens and 3500K.
- Standard driver, don't connect low-voltage wires for non-dimming applications. Consult factory for specifications and manufacturer.
- Consult factory for specifications and manufacturer.
- This circuiting option does NOT come with a plug-in wire connector between units. Contractor must field wire.
- 6" increments are common custom lengths. We can provide custom run length down to the nearest (+/- 1/8").
- Not available with Drop Lens



Specifications and dimensions are subject to change without notification. Specification sheets on our website supersede all other versions. 2016 Rev. D Nulite reserves the right to bulk package any order.

Lens Options

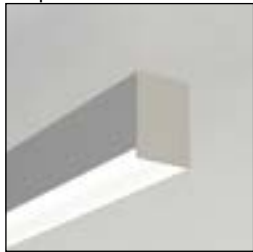
Shielding



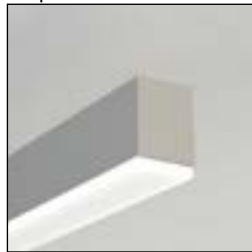
Frosted Lens
This diffuser is designed for a balance between efficiency and lens uniformity. (Transmission ~ 89%)

Satin White Lens
This diffuser is designed for visible lens uniformity. It's recommended for regressed lens configuration in our shallow housing. (Transmission ~ 69%)

“D” Opaque Metal End Drop Lens



“L” Luminous Acrylic End Drop Lens



Lutron Driver Ordering Codes

Nulite Code	Lutron Prefix	Lutron Series	Dim Level	Control Type	
				3-Wire	Eco-System™
L11	L3DAE	Hi-lume™	1%		Yes
L12	L3DA3W	Hi-lume™	1%	Yes	
L15	LDE1*	Hi-lume™ - H Series	1%		Yes
L16	LDE5	5-Series	5%		Yes

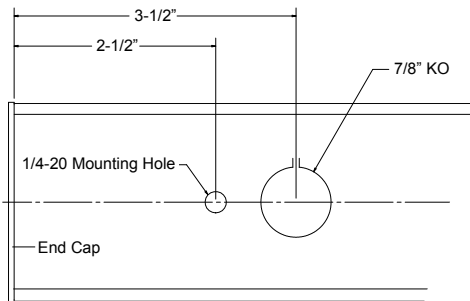
* Soft-on, Fade-to-Black™

Sensor Option



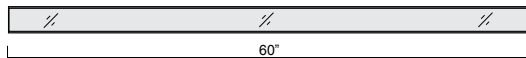
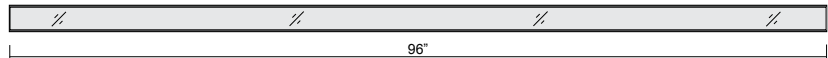
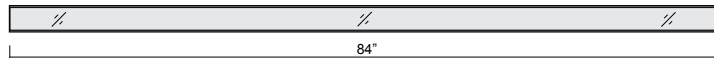
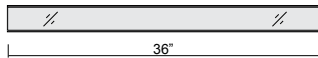
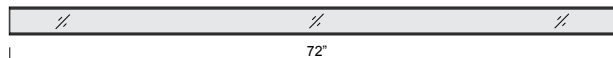
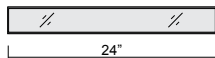
Occupancy and/or Daylight Sensor

Back of Housing Mounting Holes & Power Feed KO



Typical End of Housing Detail

Individual Lengths



Specifications and dimensions are subject to change without notification.

Continuous Run Lengths

		Run Length																																																			
		2'	3'	4'	5'	6'	7'	8'	9'	10'	11'	12'	13'	14'	15'	16'	17'	18'	19'	20'	21'	22'	23'	24'	25'	26'	27'	28'	29'	30'	31'	32'	33'	34'	35'	36'	37'	38'	39'	40'	41'	42'	43'	44'									
Number of Housings	2'	1																																																			
	3'		1																																																		
	4'			1					1	1	1	1						1	1	1	1						1	1	1	1								1	1	1	1												
	5'				1				1									1				1						1											1														
	6'					1				1								1					1					1												1													
	7'						1				1								1					1					1												1												
	8'							1				1	1	1	1	1	2	1	1	1	1	2	2	2	2	3	2	2	2	2	3	3	3	3	4	3	3	3	3	4	4	4	4	4	5	4	4	4	4	5			

Photometric Curves

Cat. # RT2-4D-05L35-...-FRF-...-4'

Frosted Flush Lens

Wattage/ft - 4.85

Lumens/Watt - 118

