



Type:	Project:	Qty:
	Date:	
Catalog #:		

Description:

The Regolo RR4 series is a nominal 4" profile surface mount LED luminaire. This product is ideal for corridors, open and private offices, classrooms, lobbies and general purpose rooms.

Specifications:

Construction: The housing consists of visible extruded aluminum side rails with formed cold rolled steel back channel and heavy gauge end caps. Housing can be joined together for continuous row applications. Standard finish is powder coat textured white. Optional silver, black or custom color paint finishes.

Reflector / Driver: Reflector / driver cover is finished with high reflectance white paint. Optional asymmetric semi-specular aluminum reflector. Standard constant current electronic driver with 0-10V dimming input; dimming range from 100% down to 10%. Universal (UNV) voltage is from 120 - 277V, 50/60 Hz.

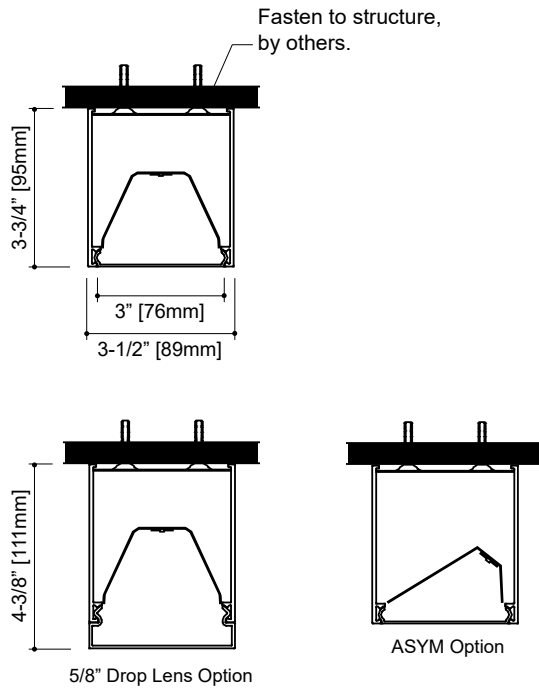
Shielding: Extruded frosted or satin white acrylic snap-in lens with DR.

LED Module: Distributed LED array in a variety of lumen output packages. LED color is available in (L30) 3000K, (L35) 3500K or (L40) 4000K. Module is replaceable. L90 ≥ 100,000 hours.

Mounting: Surface mounting, individual or continuous row.

Labels: ETL listed, conforms to UL Standard 1598 / 8750 and CSA Standard C22.2, Damp location.

Warranty: 5-year limited warranty on LED and Driver.



Ordering Information

Sample: RR4-05L35-UNV-ELE-1C-FRD-WH-8'

Series	Lumen Package ¹ / Color	Voltage	Driver	Circuit	Shielding / Position	Color	Length	Options			
RR4											
RR4 (Surface - Nom. 4")	03 (~390 lm/ft, 3.28W/ft)	L30	UNV	1C Single Circuit	FR (Frosted)	WH (White - Standard)	2'	OS ⁵ End of run Occupancy Sensor			
	05 (~569 lm/ft, 4.85W/ft)	L35	120				3'				
	06 (~724 lm/ft, 6.38W/ft)	L40	277				4'		DS ⁵ End of run Daylight Sensor		
	09 (~899 lm/ft, 7.79W/ft)						5'				
	10 (~1036 lm/ft, 9.39W/ft)			1E Single Circuit w/ EM Circuit	ST (Satin white)	BK (Black)	6'	ASYM ⁵ Asymmetric Reflector			
	Consult Factory for Custom Lumen Package						1B Single Circuit w/ Battery Pack		D (Opaque Ends Drop lens)	SV (Silver)	7'
											L (Luminous Ends Drop lens)
				Continuous Runs⁴		XX' Specify run length in 1 foot increments. Consult factory for custom lengths.					
							GLR Fusing				
								See Accessories for Corners and Downlight Modules			

SHOP NOW >

Notes:

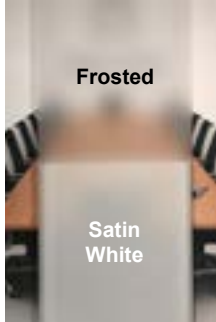
- Nominal lumen output per foot w/ frosted lens and 3500K.
- Standard driver, don't connect low-voltage wires for non-dimming applications. Consult factory for specifications and manufacturer.
- Consult factory for specifications and manufacturer.
- 6" increments are common custom lengths. We can provide custom run length down to the nearest (+/- 1/8").
- Only available with Frosted Flush lens.



Specifications and dimensions are subject to change without notification. Specification sheets on our website supersede all other versions. 2016 Rev. D1 Nulite reserves the right to bulk package any order.

Lens Options

Shielding



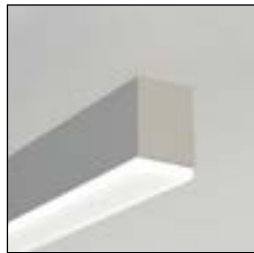
Frosted Lens
This diffuser is designed for a balance between efficiency and lens uniformity. (Transmission ~ 89%)

Satin White Lens
This diffuser is designed for visible lens uniformity. It's recommended for regressed lens configuration in our shallow housing. (Transmission ~ 69%)

Position



Drop Lens w/ Opaque End



Drop Lens w/ Luminous End

Lutron Driver Ordering Codes

Nulite Code	Lutron Prefix	Lutron Series	Dim Level	Control Type	
				3-Wire	Eco-System™
L11	L3DAE	Hi-lume™	1%		Yes
L12	L3DA3W	Hi-lume™	1%	Yes	
L15	LDE1*	Hi-lume™ - H Series	1%		Yes
L16	LDE5	5-Series	5%		Yes

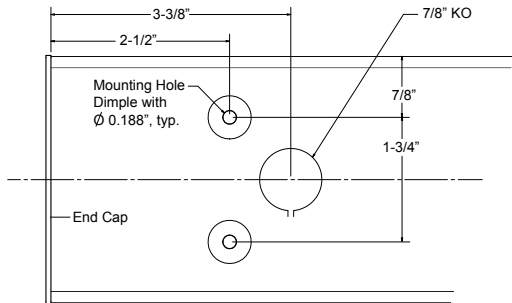
* Soft-on, Fade-to-Black™

Sensor Option



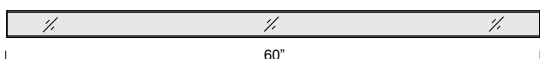
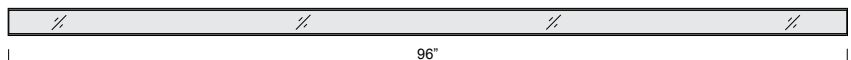
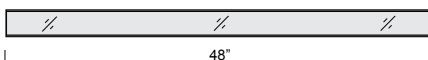
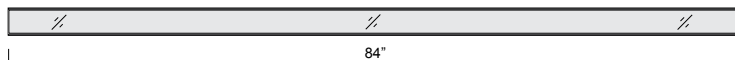
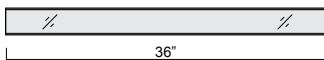
Occupancy and/or Daylight Sensor

Back of Housing Mounting Holes & Power Feed KO



Typical End of Housing Detail

Individual Lengths



Add 3/32" per end cap to the length.

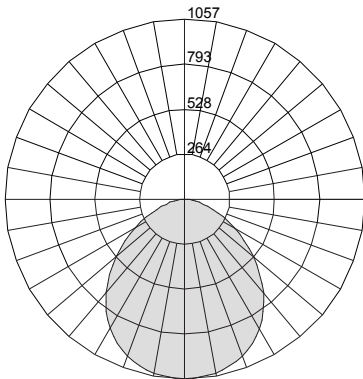
Specifications and dimensions are subject to change without notification.

Continuous Run Lengths

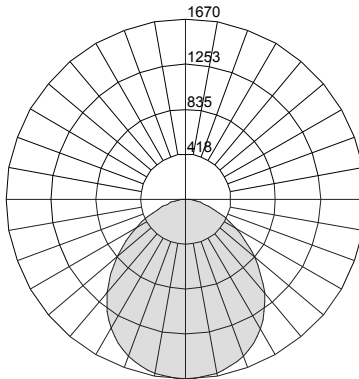
		Run Length																																																
		2'	3'	4'	5'	6'	7'	8'	9'	10'	11'	12'	13'	14'	15'	16'	17'	18'	19'	20'	21'	22'	23'	24'	25'	26'	27'	28'	29'	30'	31'	32'	33'	34'	35'	36'	37'	38'	39'	40'	41'	42'	43'	44'						
Number of Housings	2'	1																																																
	3'		1																																															
	4'			1					1	1	1	1						1	1	1	1					1	1	1	1							1	1	1	1				1	1	1	1				
	5'				1				1									1				1					1								1					1										
	6'					1				1								1					1					1							1					1										
	7'						1				1							1						1					1							1					1									
	8'							1				1	1	1	1	1	2	1	1	1	1	2	2	2	2	3	2	2	2	3	3	3	3	4	3	3	3	3	4	4	4	4	4	5	4	4	4	4	5	

Photometric Curves

Cat. # RR4-05L35-...-FRF-...-4'
Frosted Flush Lens
Wattage/ft - 4.85
Lumens/Watt - 117



Cat. # RR4-09L35-...-FRF-...-4'
Frosted Flush Lens
Wattage/ft - 7.79
Lumens/Watt - 115



Cat. # RR4-05L40-...-FRF-...-4'-ASYM
Frosted Flush Lens
Wattage - 5.25
Lumens/Watt - 110

