

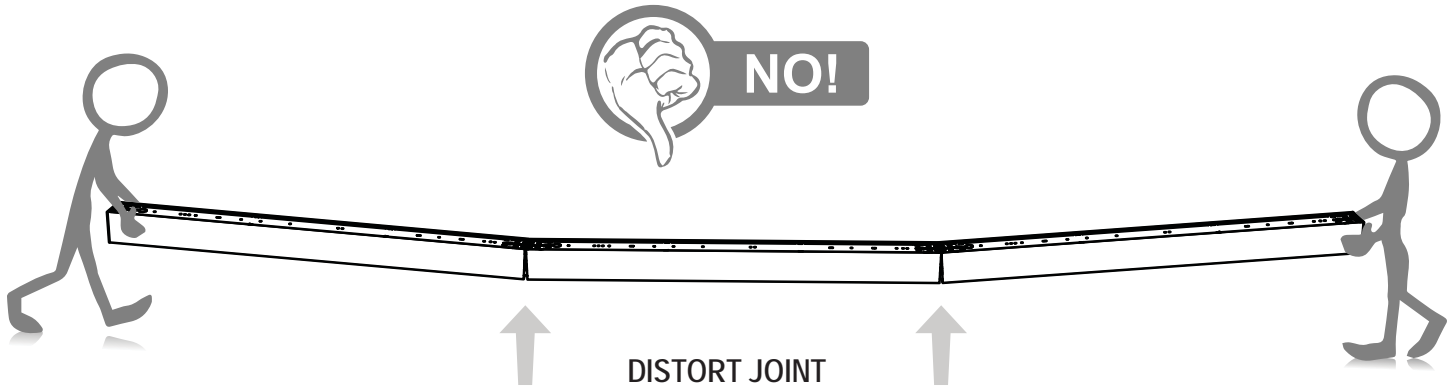


REGOLO GENERAL WARNING

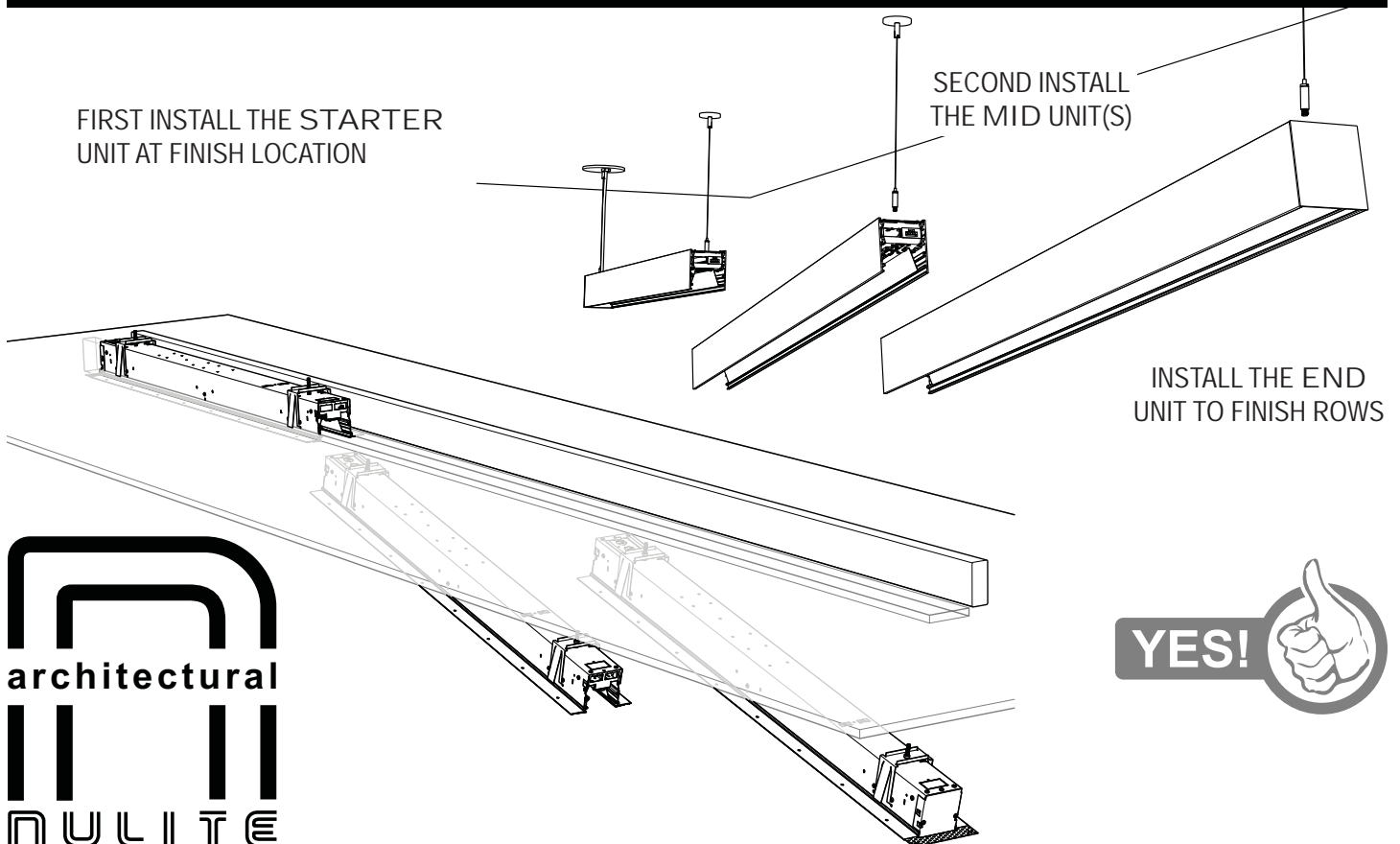


WARNING:

DO NOT ASSEMBLE CONTINUOUS RUN ON THE GROUND AND LIFT INTO PLACE.
JOINTS WILL DISTORT AND NOT CREATE A TIGHT FIT.
JOINING HARDWARE WILL HAVE TO BE PURCHASED AND REPLACED.



FOR PROPER INSTALL INFORMATION SEE
RESPECTIVE SERIES INSTALLATION INSTRUCTIONS.



10770 East 51st Ave, Denver, CO 80239 - Phone (303)287-9646 Fax (303)287-0316

Instructions and dimensions are subject to change without notification. Instruction sheets on our website supersede all other versions.

2016 Rev. A

REGOLO PENDANT

INSTALLATION INSTRUCTIONS - LED

⚠ WARNINGS

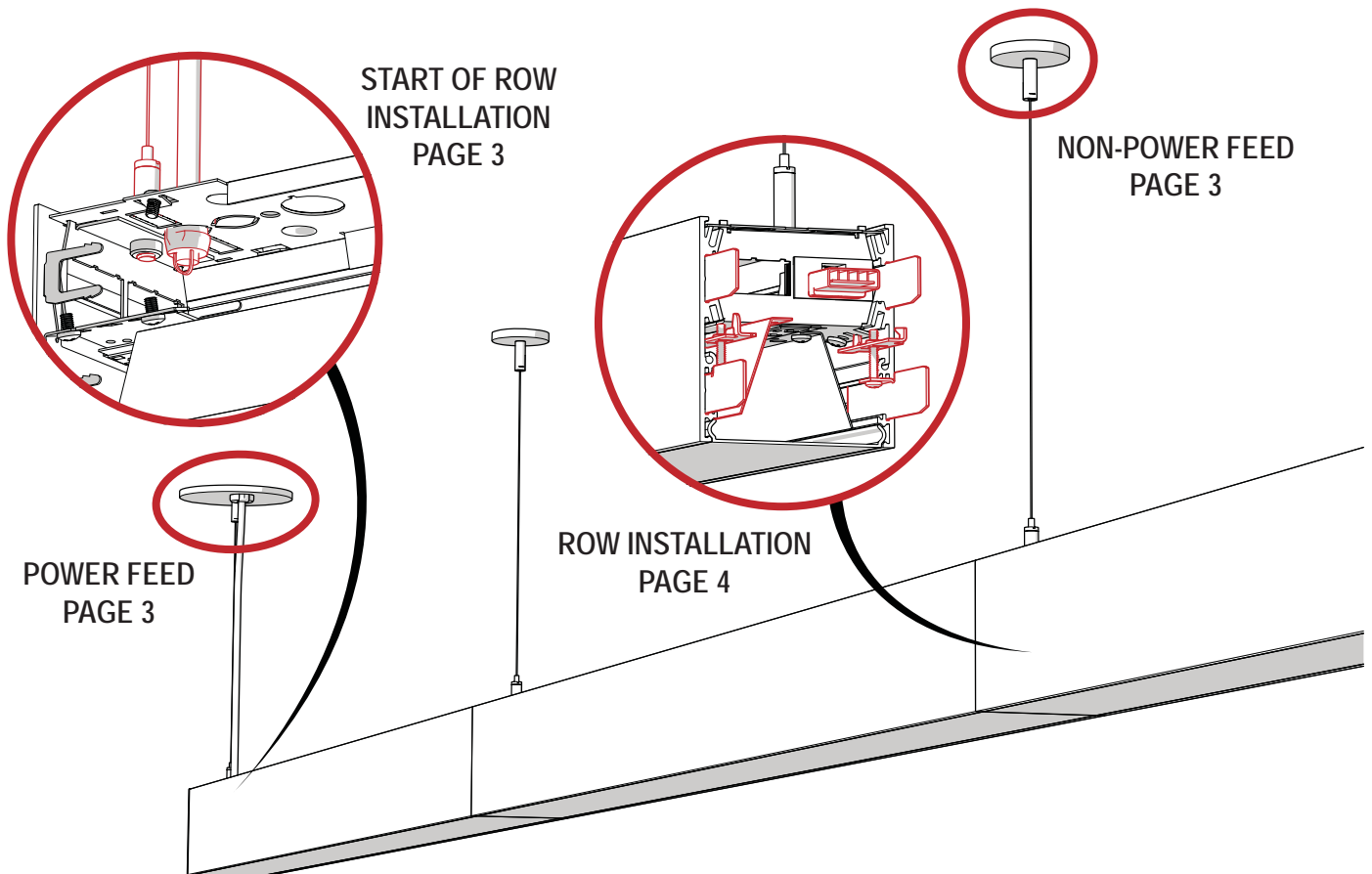
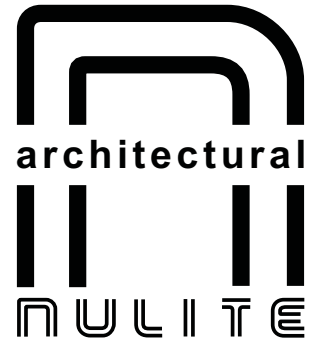
Risk of electrical shock or fire, disconnect power during installation or servicing. Read all instructions completely before starting installation. Install and wire in accordance to all national and local codes by a certified electrician. Fixture may be sharp, handle with care. Let fixture cool before maintenance.

⚠ AVERTISSEMENTS

Risque d'électrocution ou d'incendie. Déconnectez l'alimentation durant l'installation ou la maintenance. Lisez attentivement toutes les instructions avant de commencer toute installation. Faites installer et câbler selon les normes Nationales et Locales par un électricien certifié. Les installations peuvent être coupantes, à manipuler avec précaution. Laissez refroidir les installations avant une opération de maintenance.

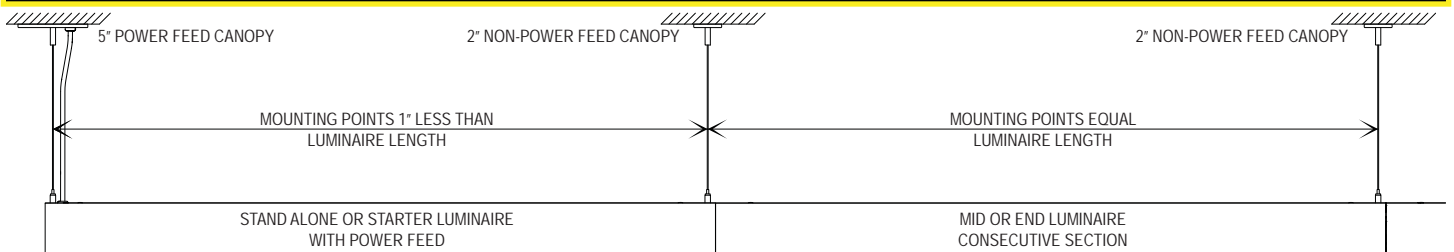
⚠ ADVERTENCIA

Riesgo de descarga eléctrica o un incendio, desconecte la alimentación durante la instalación o servicio. Leer todas las instrucciones completas antes de empezar la instalación. Instalar y cablear en acuerdo a las reglas nacionales y códigos locales por un electricista certificado. El accesorio puede estar agudo, agarre con cuidado deje que el accesorio. Enfriar antes de mantenimiento.



AIRCRAFT CABLE LAYOUT

⚠ RUN CONFIGURATIONS ARE SPECIFIC TO FACTORY DRAWINGS. CONSULT SUBMITTAL BEFORE BEGINNING INSTALLATION. ⚠

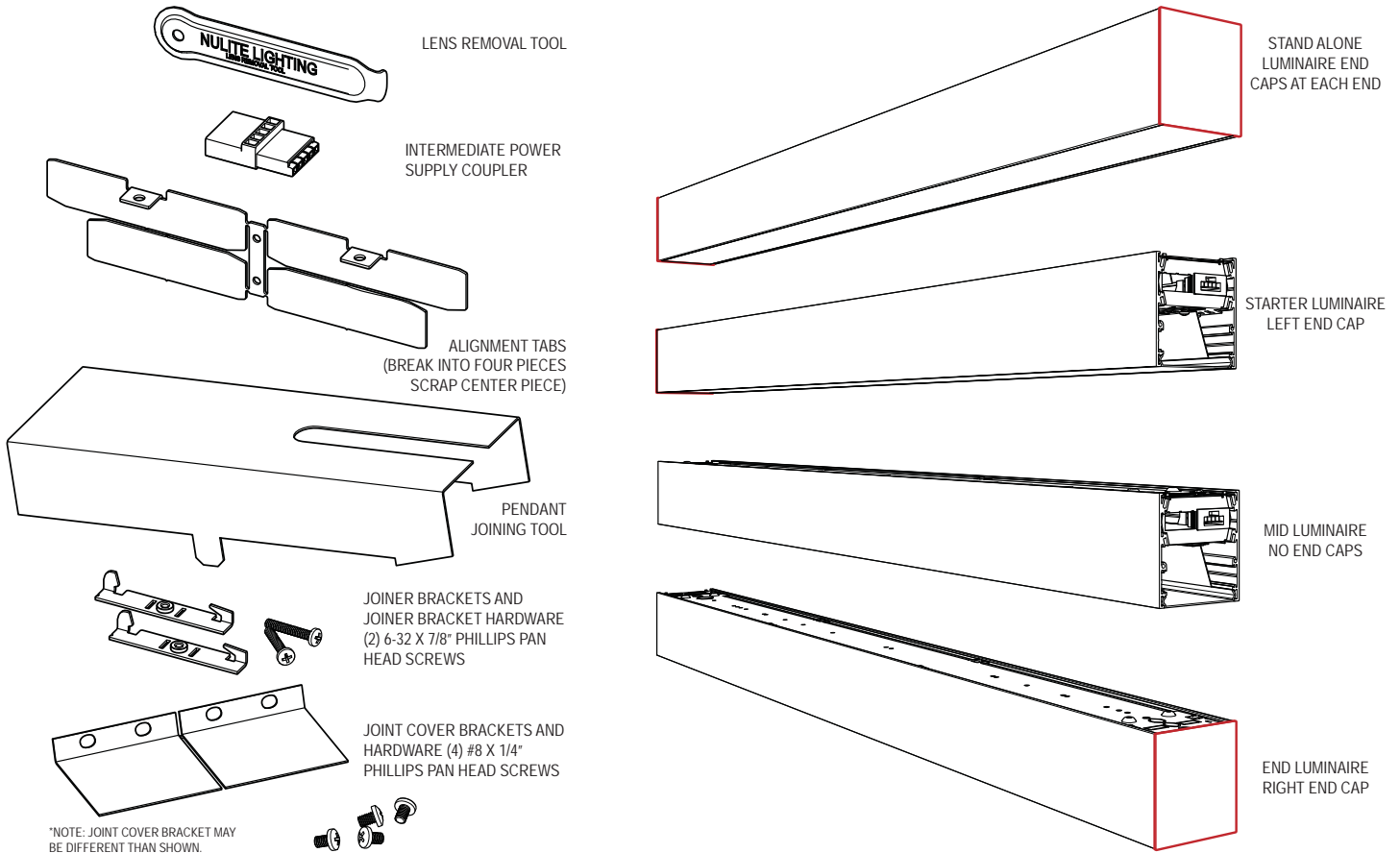


10770 East 51st Ave, Denver, CO 80239 - Phone (303)287-9646 Fax (303)287-0316

Instructions and dimensions are subject to change without notification. Instruction sheets on our website supersede all other versions.

2016 Rev. A

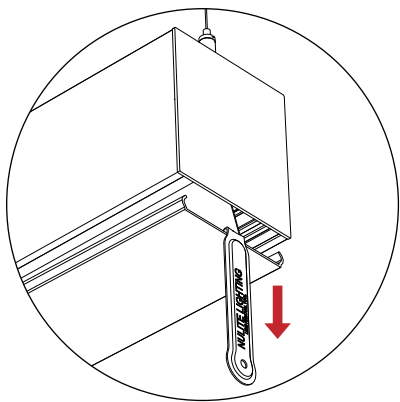
OVERVIEW



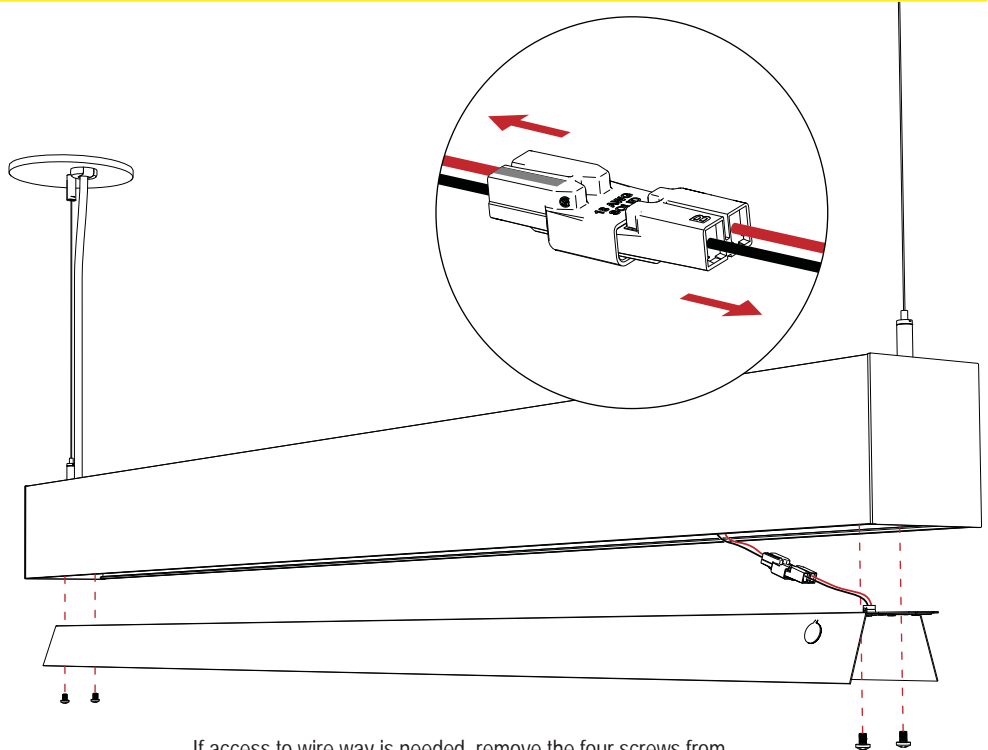
MAINTENANCE



AVOID TOUCHING THE LED BOARDS.



Gently insert lens removal tool at one end of the lens and pull down. Pull the exposed end down and remove lens. Store the tool in a safe place.



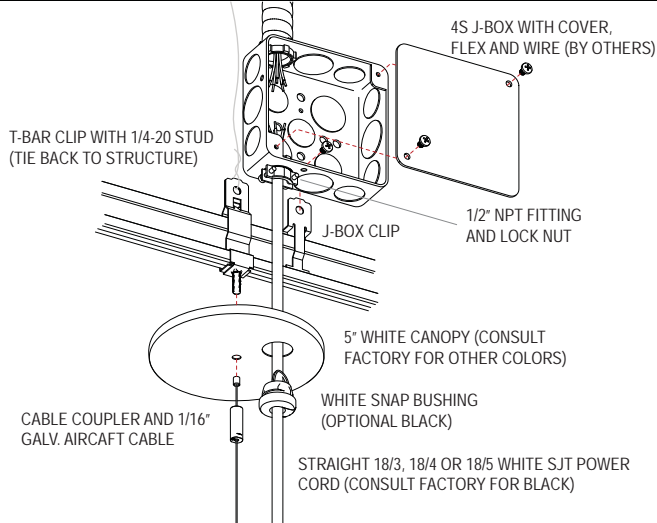
If access to wire way is needed, remove the four screws from the LED reflector. To remove the reflector completely, separate the electrical disconnect. Store the reflector in a clean, safe place during installation or maintenance.



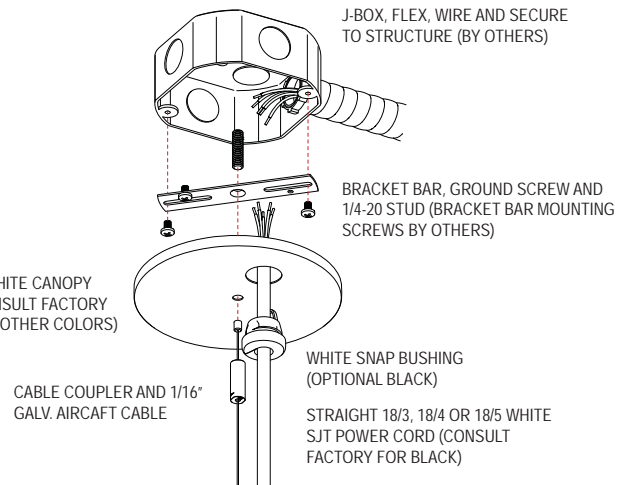
AIRCRAFT CABLE TO CEILING INSTALLATION



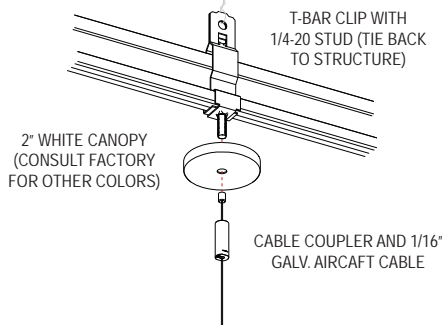
T-BAR (POWER FEED)



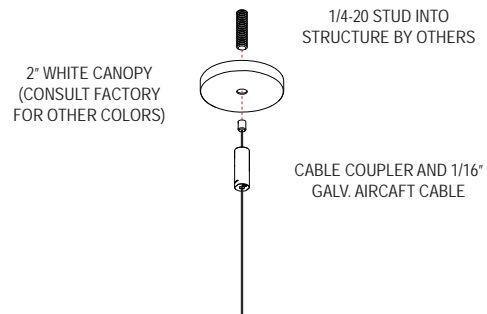
STRUCTURE (POWER FEED)



T-BAR (NON-POWER FEED)



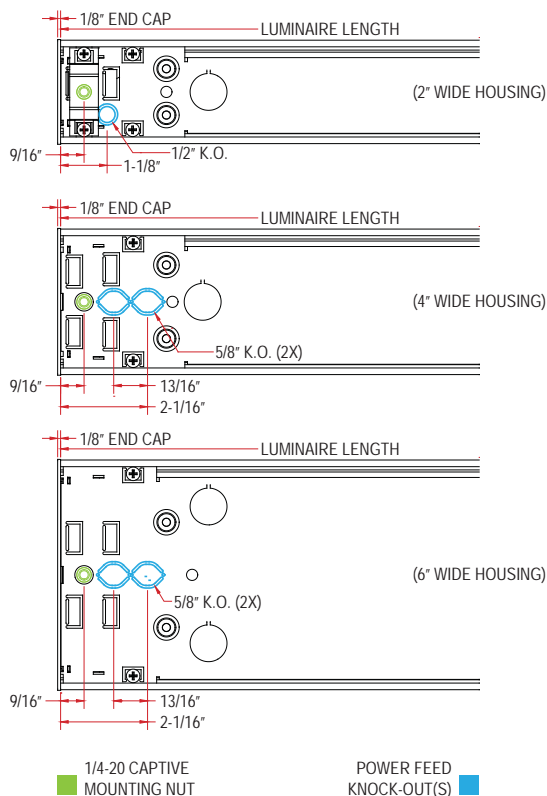
STRUCTURE (NON-POWER FEED)



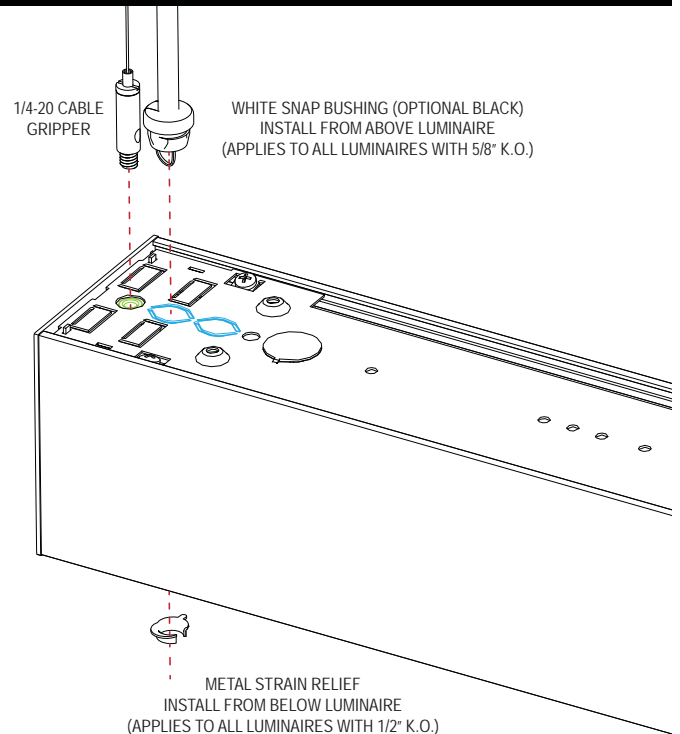
AIRCRAFT CABLE TO LUMINAIRE INSTALLATION



PLAN VIEW OF HOUSING BACK



START OF ROW INSTALLATION





ROW INSTALLATION - INDIVIDUAL INSTALLATION FOLLOW STEPS 1 THROUGH 3.



1

POWER FEED
NON-FEED

Install the stand alone or starter luminaire using one power feed and one non-feed aircraft cable mounting kits. (Refer to ceiling installation PG-3).

2

STARTER LUMINAIRE

(Refer to luminaire installation PG-3).

3

The stand alone or starter luminaire must be level before cutting off extra cable or continuing the row installation.

4

PENDANT JOINING TOOL
INTERMEDIATE POWER SUPPLY COUPLER
ALIGNMENT TABS

STARTER LUMINAIRE
MID LUMINAIRE

5

Layout and install the mid luminaire using one non-feed aircraft cable mounting kit. Starting at the ceiling.

MID LUMINAIRE
STARTER LUMINAIRE

6

Align the tabs with the extrusion slots. Make sure the power supply connectors snap together.

7

Joiner brackets are not symmetrical and must be installed in correct slots to work properly.

8

9

10

Secure by tightening the two joiner bracket screws simultaneously (not all at once).

11

Install the joint cover brackets with provided #8X1/4" sheet metal screws.

12

Remove the pendant joining tool.