

Type
Project
Catalog No.
Lamp/Wattage

**NTH-619SLED**

**Metro™ Track Head with LED GU10 MR16**

Lamp: 3W/4.5W LED GU10 MR16

**PRODUCT DESCRIPTION**

Low voltage ultra compact, ultra heavy duty die-cast aluminum lamp holder with heat dissipating fins. Finished in silver for contemporary effect.

**FEATURES**

- Die-cast aluminum body provides superior strength and rigidity
- Low profile, aesthetic design
- High-strength stainless steel electrical contacts
- Completely concealed wiring
- Available with two different lamps
- One or two circuit track capable
- Available in J-Style and L-Style

**CONSTRUCTION**

**Housing**

0.09 Die-cast aluminum housing. Front of housing surrounded by 4 fins 1/16" apart, extending 1/8" from the main body of the housing.

**Stem**

0.042 Silver finished hollow steel stem carries wiring from housing to socket. Stem provides horizontal or pan angle aiming of fixture, with friction hold to desired angle.

**Socket**

Porcelain GU10 socket.

**Lamp**

See LED Lamp Chart below.

**Contact Head Assembly**

"H" Style (standard): Three 0.030 stainless steel contacts mounted in premium plastic housing.

"J" Style: Two contacts and ground contact mounted in premium plastic housing with on/off switch.

"L" Style: Two contacts and ground contact mounted in premium plastic housing.

**One/Two Circuit Conversion**

Positive contact (opposite neutral and ground contacts) is preset to "down" position at the factory, but may be raised to the high position to install onto the second circuit of Nora Lighting's NT-2300 series two-circuit track.

**Finish**

Silver power coated.

**Compatibility**

Nora track heads are compatible with Halo or any other brands configured to Halo 3 wire track configuration. J-Style and L-Style track adapters are available.

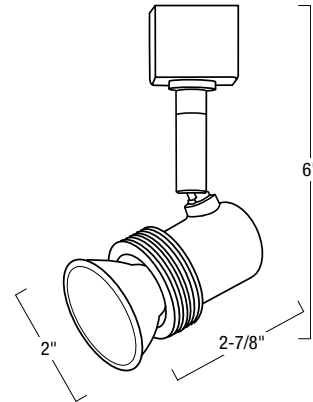
*Note: Fixtures may not be compatible with non-Nora monopoint adapters.*

**Labels and Warranty**

cULus Listed



**DIMENSIONS**



Length: 2-7/8"  
 Diameter: 2"  
 Max. Extension: 6"

**LED Lamp Chart (Lamps are Energy Star and cULus Listed)**

ORDER SUFFIX	KELVIN	WATTS	LUMENS	BEAM ANGLE	CBCP	CRI	RATED LIFE	DIMMABLE
<b>LED GU10 MR16</b>								
H10	2700	3	165	22	550	90	25K	Yes
E10	3000	4.5	200	25	800	82	25K	NO

**Metro™ Track Head with LED GU10 MR16**

Metro™ Track Head with LED - select one from each column

Catalog No.	Finish	LED Lamp	Contact Head
NTH-619	S = Silver	H10 = 3W	(Blank) = H-Style
		E10 = 4.5W	/J = J-Style
			/L = L-Style