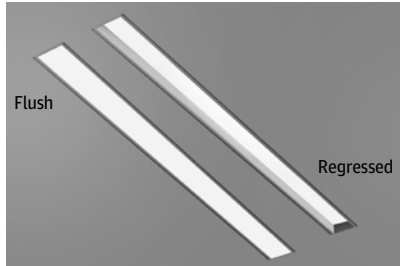


Type:



Slot 4 LED takes both form and function a step further with increased efficacy and integral controls creating a digitally addressable luminaire that is perfect where visually harmonious illumination and energy efficiency are desired.

Slot 4 LED is the ideal choice for spaces that emphasize lines and clean contemporary design. It is a perfect fit for Armstrong TechZone™ ceiling systems. A regressed lens option provides added dimension to the sleek, slender design.

Project:

Catalog Number:

DO NOT TYPE HERE. Autopopulated field.

Specification Features (continued on page 2)

Housing

Nominal 4" x 2', 3', 4', 5', 6', 7', 8' and continuous rows in 1' increments as standard, upper housing fabricated from cold-rolled steel with extruded aluminum ceiling trim.

Finish

Painted high reflectance matte white powder coat.

Reflector

Precision-formed steel; high reflectance matte white powder coat; 93% reflectivity.

Shielding

Flush Lens: Snap-in 90% transmissive satin acrylic lens.

Regressed Lens: Lay-in 90% transmissive satin acrylic lens.

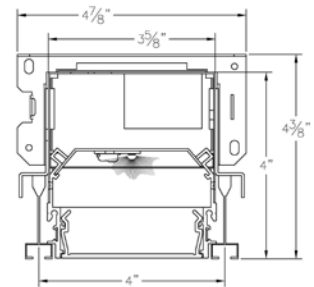
Mounting

Recessed. Available for sheetrock, 9/16" slot grid or 15/16" inverted tee ceilings, or 9/16" inverted tee.

Design2Ship

Maximum order quantity of 500 linear feet per order. 5 business days from clean release of the order.

Technical Drawing



Flush - (FLP)

Fixture Performance - SL4L*

Lumens Output	400 LMF		600 LMF**		800 LMF**		1000LMF	
	RLP	FLP	RLP	FLP	RLP	FLP	RLP	FLP
Delivered Lumens/FT	316	314	544	541	737	734	928	924
Input Watts/FT	4	4	6	6	8	8	10	10
Lumen/Watt	91	91	95	95	93	93	90	89

* CCT (35K)

** Consult factory for customized lumen output and wattage

*** Based on calculated values



Ordering

Example: SL4L QS LOP 4FT FLP TG 90CRI 35K 400LMF NLIGHT

--	--	--	--	--	--

Series	Program	Linear Length Plan	Total Run Length	Fixture Style	Ceiling Trim
SL4L Slot 4 LED Linear Recessed	QS Quick Ship (5 day Shipping)	LOP Linear Optimized Plan 2FT 2' 3FT 3' 4FT 4' 5FT 5' 6FT 6'	7FT 7' 8FT 8' _FT *Specify continuous linear feet in 1 foot increments	RLP ¹ Regressed Lens FLP ² Flush Lens	FL ³ 5/8" Flange(sheetrock) TG 9/16" or 15/16" Flat or Inverted Tee GB ³ Trimless (sheetrock)

--	--	--	--	--	--

Direct Light Source Color Rendering	Direct LED Color Temp	Direct LED Light Output ⁴	Direct Distribution	Minimum Dimming Level	Voltage
80CRI 80 CRI 90CRI 90 CRI	30K 3000K 35K 3500K 40K 4000K	400LMF 400 Lumens per FT 600LMF 600 Lumens per FT 800LMF 800 Lumens per FT 1000LMF 1000 Lumens per FT	(blank) Standard Distribution WW ⁴ Wall Wash	NODIM Non - Dim MIN1 Constant current, dimming to 1% DARK Constant current, dimming to 0.1%	120 120V 277 277V

--	--	--

Emergency Options	Control Input	Options
(blank) No Emergency E10WLC ⁵ 4ft Emergency Section with battery pack EC 4ft Emergency circuit	(blank) ⁶ Non-dim ZT 0 10V NLIGHT nLight enabled	CP Chicago Plenum PWS 6' pre-wire, 3/8 diameter, 18 gauge

Notes

- Supplied with lift and shift lay-in lens.
- Supplied with snap-in lens.
- Not intended for post sheetrock installation.
- Wall Wash not available with RLP lens option.
- Remote mounted. Not available with CP.
- Must select with NODIM option.

Specification Features (continued)

LED Components

Linear: Nichia® - 757 Series LED chips (available in 80 or 90 CRI)

LED Life

Rated 65,000 hours (L80) at 25 °C ambient temperature.

Color Consistency

The Acuity Brands circuit boards for the linear LED components use a precise binning algorithm which creates a consistent color temperature from board to board. Color variation is no greater than a 2.5 Step MacAdam (2.5SDCM) along the black body locus from board to board.

Driver

eldoLED constant current driver options delivers ultra-smooth dimming resolution from 100% to 0.1%, while assuring flicker free, low current inrush, 89% efficiency and low EMI.

Integrated Controls

Optional nLight® embedded controls make luminaire addressable-allowing it to digitally communicate with other nLight enabled controls such as dimmers, switches, occupancy sensors and photocontrols. Simply connect all the nLight enabled control devices using standard CAT5 Cabling. (Input option: NLIGHT)

A+ Capable Luminaire

This item is an A+ capable luminaire, which has been designed and tested to provide consistent color appearance and out-of-the-box control compatibility with simple commissioning.

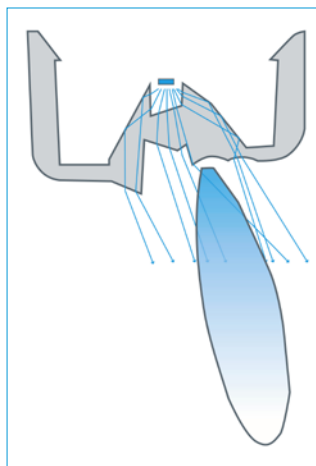
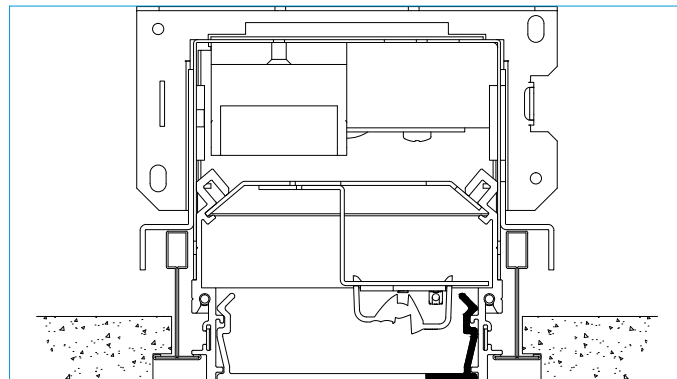
- All configurations of this luminaire meet the Acuity Brands' specification for chromatic consistency
- This luminaire is part of an A+ Certified solution for nLight® control networks when ordered with drivers marked by a **shaded background***
- This luminaire is part of an A+ Certified solution for nLight control networks, providing advanced control functionality at the luminaire level, when selection includes driver and control options marked by a **shaded background***

To learn more about A+, [visit www.acuitybrands.com/aplus](http://www.acuitybrands.com/aplus).

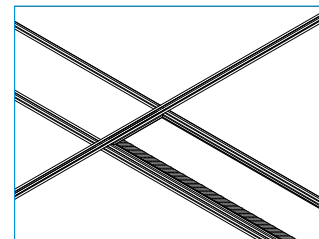
*See ordering tree for details

Optics

Slot LED's patent-pending, precision lumen DIRECTIR optics condition and refract light to deliver accurately controlled, striation-free, and uniform white light. All lumen DIRECTIR optics are injection-molded, optical grade, UV-resistant acrylic with selective finishing/polishing treatment.



Wall Wash (WW)



Certification

CSA tested to UL 1598 standards. This product is IC rated.

Listings

DesignLights Consortium® (DLC) qualified product. Not all versions of this product may be DLC qualified. Please check the DLC Qualified Products List at www.designlights.org/OPL to confirm which versions are qualified.

Warranty

5-year limited warranty. Complete warranty terms located at: www.acuitybrands.com/CustomerResources/Terms_and_conditions.aspx

Note: Actual performance may differ as a result of end-user environment and application.

All values are design or typical values, measured under laboratory conditions at 25 °C.

Specifications subject to change without notice.

Photometry

For photometric information refer to www.marklighting.com.

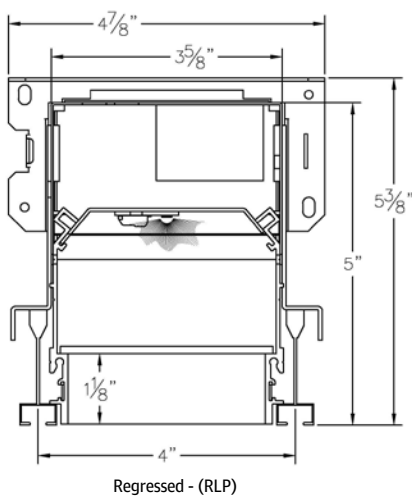
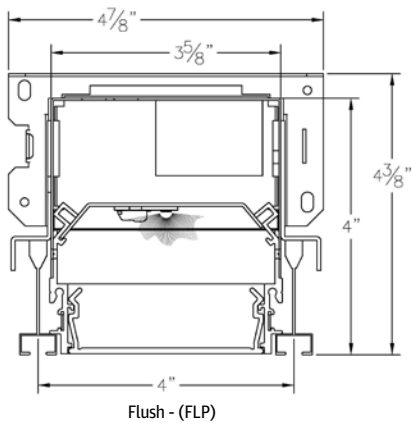
Design2Ship™ Program Details

1. All Quick Ship orders should be activated through Agile.
2. Ship dates are 5 business days from date of clean release. Order lines must process and code upon entry, if you have an UNK, NCI or BOM status, re-check your spec sheet to correct nomenclature.
3. All order received after 3:30pm EST will be processed the next business day and will receive an ESD from that date.
4. All purchase orders must be clearly identified as Quick Ship. Non-Quick Ship products should be ordered on a separate purchase order.
5. Orders with both Quick Ship products and non-Quick Ship products will default to the longest lead-time.
6. If an order exceeds the product specification sheet quantity, then the following shall apply:
 - a. If less than or equal to 2 times maximum Quick Ship quantity, the order will be split into two delivery dates. The first will go in 5 days followed by the second in 10 days.
 - b. If the order is more than 2 times maximum Quick Ship quantity, then the order would not qualify as a Quick Ship order.

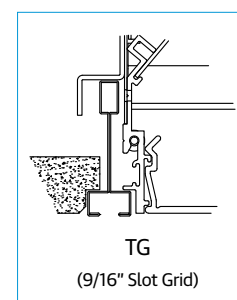
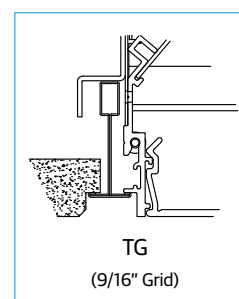
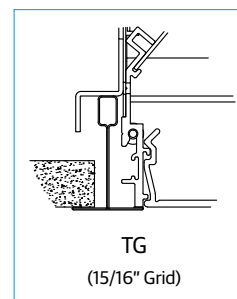
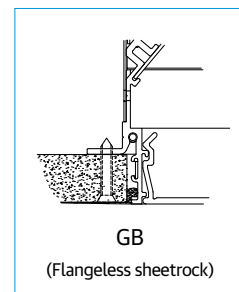
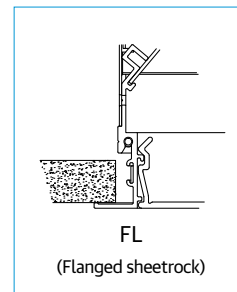
MAXIMUM QUANTITY OF 500 LINEAR FEET PER ORDER

7. Changes to the order is not permitted.
8. For cancellation fees refer to Acuity Brand's Terms and Conditions of Sale.
9. Order requirements:
 - a. Complete ship to address
 - b. Contact information
 - c. Complete Quick Ship catalog number
 - d. Pricing and commission rate
 - e. Any shipping notes / site restrictions

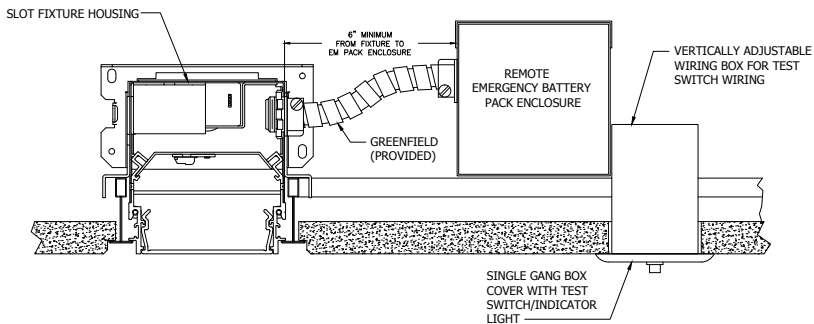
Technical Drawing



Ceiling Trim



Remote Emergency Battery Mounting



- Notes**
- Delivers 700 lumens per 4FT length. Default location is the right side of fixture and end of run.
 - Provided with 4FT of flexible conduit. Maximum of 25FT remote distance if extended. Extension provided by others.

nLight Air Wireless

To Make fixture NLTAIR2 compatible the following components are required:

- 1) rpp20 D
- 2) rPODB 2P DX

