



RECESSED LED DOWNLIGHT (IC, NON-IC, REMODEL)  
4" SQUARE FIXED EXPANDED APERTURE WET LOCATION

PROVISIONAL  
[SHIPPING JANUARY 2016]

## DOWNLIGHT TRIM

### A Special Features

Pop-off, die-cast baffle minimizes aperture glare and is available in a range of finishes.

### B Effects Devices

Sealed soft focus lens included. Fixture allows up to 2 effects devices.

### C Trim Plate

Gasketed MicroFlange provides generous 1/4" - 1/3" (6.3 - 8.4mm) goof allowance from minimal profile. Thickness measures 0.065" (1.7mm).

### D Retention

Integrated, metal arm clamps accommodate varying ceiling thicknesses from .19" (5mm) to 1.25" (32mm). Unique internal clam design ensures snug fit of trims against ceiling.

## CONSTRUCTION

**Trim:** 304 marine grade stainless steel trim plate. Steel and aluminum. Extruded aluminum heat-sink. Painted finishes are granulated powder coat. Optional chrome and plated finishes.

**Housing:** Steel and aluminum.

## LED

Utilizes Xicato XTM remote phosphor LED.

## DIMMING PROTOCOL

Analog 0-10 and Triac dim to nominal 10% lm output. Lutron dims to nominal 1% lm output. EldoLED dims to nominal 1/10 of 1%.

## LISTING

UL1598 listing pending. IP64 rated.

## WARRANTY

Five year warranty on LED lamp module and driver. One year warranty on all other Lucifer Lighting provided system components. Consult website for full warranty terms and conditions.

## HOUSING/ MOUNTING

Do not install in environments where ambient temperatures exceed 40°C. Transformer compartment and all splice connections may be serviced from room side. Hanger bars included with housings.

### E NON-IC REMOTE/ UNIVERSAL/ REMODEL POWER SUPPLY

- UL2043 listing pending for non-IC; remodel ceilings.
- Mounts without conventional housing using downlight trim adaptor.
- Tethered power supply/ junction box with metal conduit protected wiring and quick-connect plug between fixture and power supply.
- Min. setback from combustible materials of 6.63" (168mm) radius from fixture centerline; min. 3" (76mm) from surfaces of power supply/ junction box if not situated within above noted radius from fixture centerline.
- Min. additional 3" (76mm) setback from insulation material with max R-Value 30 from any surface of downlight fixture assembly; min. additional 6" (152mm) from polycell spray-in foam insulation with max R-Value 40.

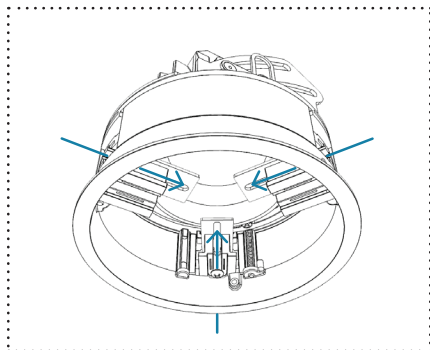
### F NON-IC HOUSING

- For non-IC ceilings.
- Metal conduit protected wiring and quick-connect conduit plug between fixture and power supply on tray/ junction box assembly.
- Hanger bars may be fitted to short or long side of tray and may be field cut/ narrowed.
- Min. 1/2" (13mm) setback from combustible materials on all sides and top of tray and downlight fixture assembly.
- Min. additional 3" (76mm) setback from insulation material having max R-Value 30 on all sides and top of tray and downlight fixture assembly; minimum additional 6" (152mm) from polycell spray-in foam insulation having max R-Value 40.

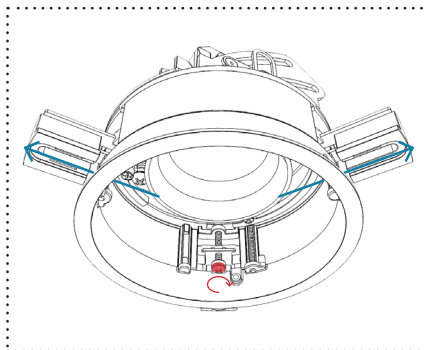
### G IC HOUSING

- For IC, Airtight, CCEA ceilings.
- Chicago Plenum & ASTM E283 Airtight rated.
- Consult factory for particular housing details.
- **WARNING:** Polycell spray-in foam insulation having max R-Value 40 requires setback of 3" (76mm) from all sides and top of IC housing; **NOTE:** Consult factory for spacing requirements for any installations exceeding R-Value 40.

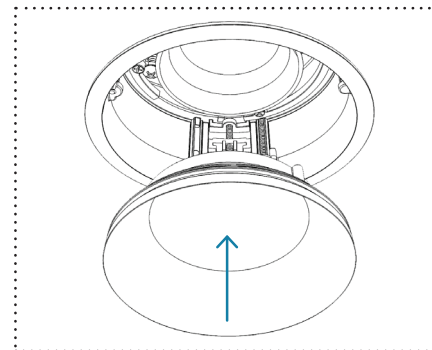
Example of general installation process. Figures may not depict actual trim shape or all steps involved.



Simply remove the pop-off baffle and depress 3 metal arms into the fixture body. The fixture inserts up and through the cut-out. No housing required in many installations.



Once flush against the ceiling plane, push the 3 arms back out of the fixture body. Using a standard screwdriver, pull the arms down to securely clamp the fixture to the ceiling panel.

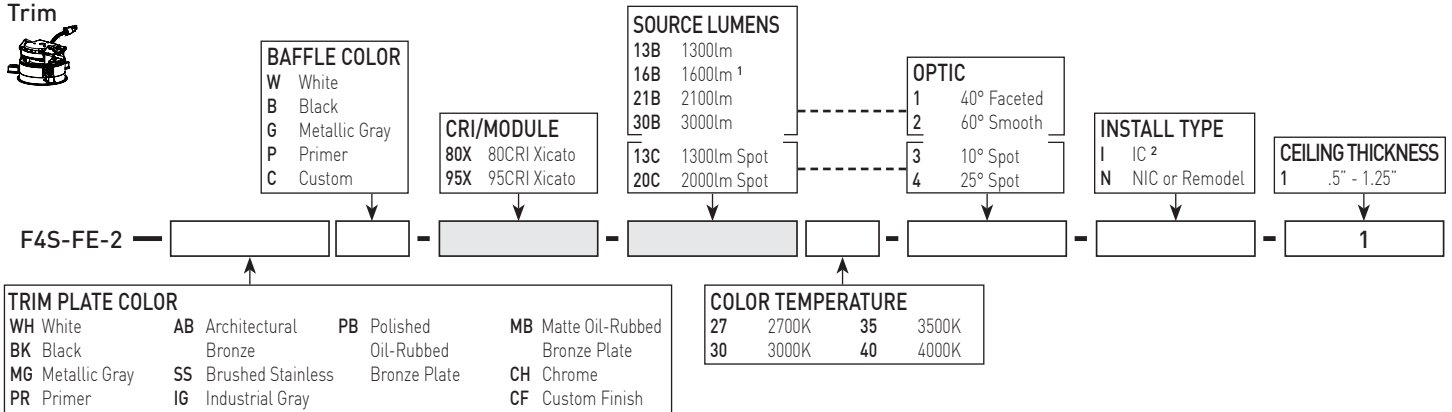


Insert baffle up and in to the aperture until it nestles into place.

RECESSED LED DOWNLIGHT (IC, NON-IC, REMODEL)  
4" SQUARE FIXED EXPANDED APERTURE WET LOCATION

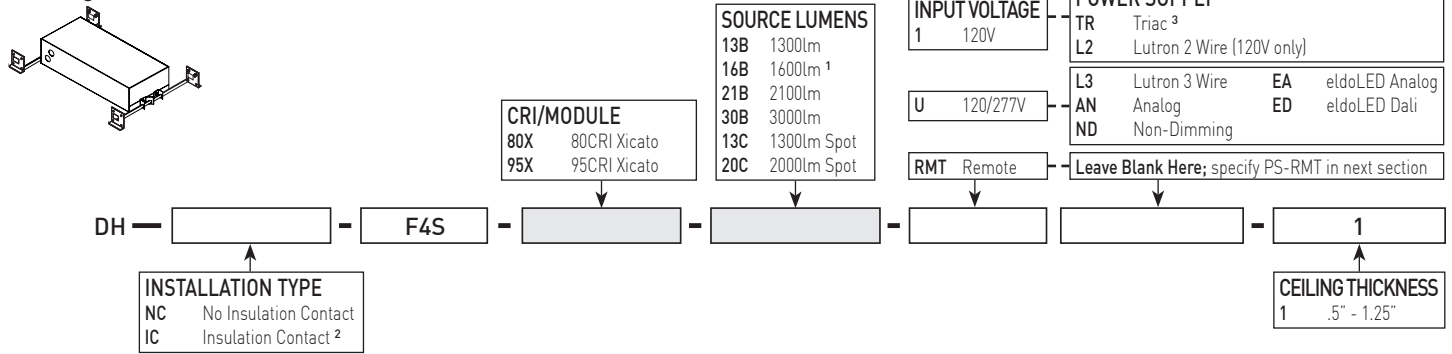
**PROVISIONAL**  
[SHIPPING JANUARY 2016]

## ORDERING INFORMATION

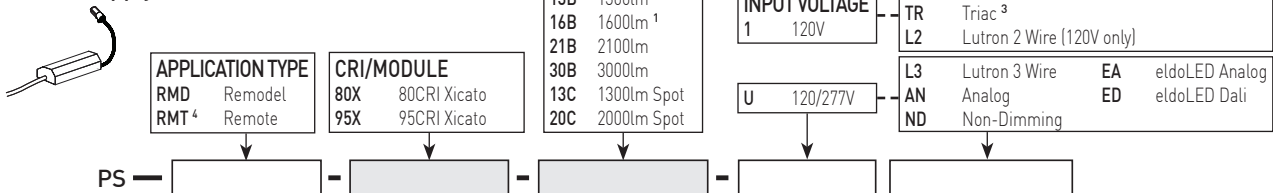


Lumen Package	80X	13B	16B	21B	30B	13C	20C	95X	13B	21B	30B	13C	20C
System Power Consumption		14.6W	16W	22W	35W	19W	37W		19W	27W	42W	29W	52W
LED Source lm/w		111 lm/w	125 lm/w	116 lm/w	108 lm/w	83 lm/w	66 lm/w		83 lm/w	96 lm/w	88 lm/w	54 lm/w	47 lm/w

## Housing



## Non-IC Remote/ Universal/ Remodel Power Supply



## ACCESSORIES

**\* REMOTE/ UNIVERSAL/ REMODEL POWER SUPPLY**  
Accessory kit provides for conduit connection to NIC trim from remote power supply.  
 **DLA-RMT-AK** Remote accessory kit

- ADDITIONAL EFFECTS DEVICES**
- AGL-FS** Amber Glass Lens
  - CGL-FS** Clear Glass Lens
  - FGL-FS** Frosted Glass Lens
  - HCL-FS** Honeycomb Louver
  - LSL-FS** Linear Spread Lens
  - SGL-FS** Spread Lens
  - WTL-FS** Warm Tone Lens

## EMERGENCY LIGHTING

During disruption of main power, emergency battery inverter provides temporary power supply to fixture. Select based on system power of specified fixture, or voltage needs.

- EMB-S-20/25-120/277-LEDX**  
20/25 watt max capacity, 120 or 277 VAC 60Hz
- EMB-S-100-120-LEDX**  
100 watt max capacity, 120 VAC 60Hz
- EMB-S-250-277-LEDX**  
250 watt max capacity, 277 VAC 60Hz

<sup>1</sup> 1600lm not available for 95X  
<sup>2</sup> IC not available for 80X-30B, 80X-20C, 95X-30B, 95X-21B, 95X-20C

<sup>3</sup> Triac not available for 80X-07B, 80X-16B, 80X-21B, 80X-10C, 95X-07B, 95X-21B, 95X-10C  
<sup>4</sup> PS-RMT that will be used in remodel fixture applications requires selection of DLA-RMT-AK



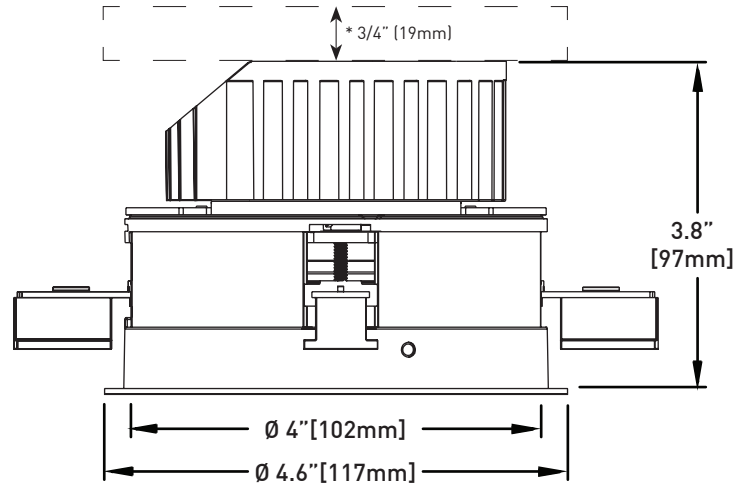
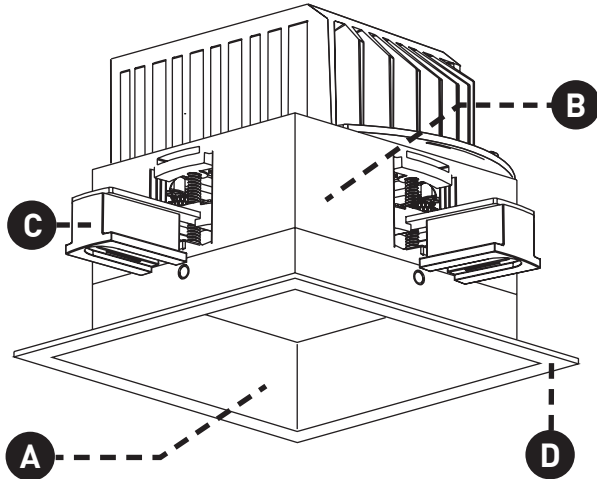
RECESSED LED DOWNLIGHT (IC, NON-IC, REMODEL)  
4" SQUARE FIXED EXPANDED APERTURE WET LOCATION

PROVISIONAL  
[SHIPPING JANUARY 2016]

## DIMENSIONS/ DRAWINGS

### DOWNLIGHT FIXTURE

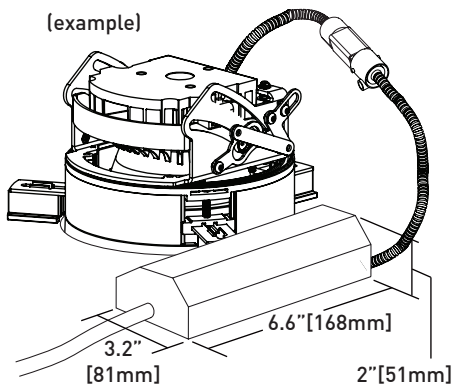
\* Allow for additional 3/4" (19mm) clearance above the fixture.



### NON-IC TETHERED POWER SUPPLY/ REMODEL

**E**

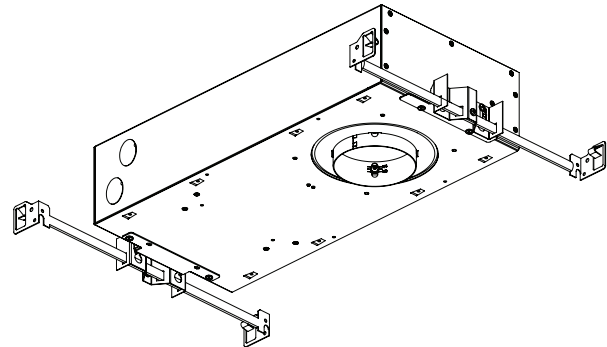
(example)



### NON-IC HOUSINGS Housing used depends on specified lumen package. Consult factory for details.

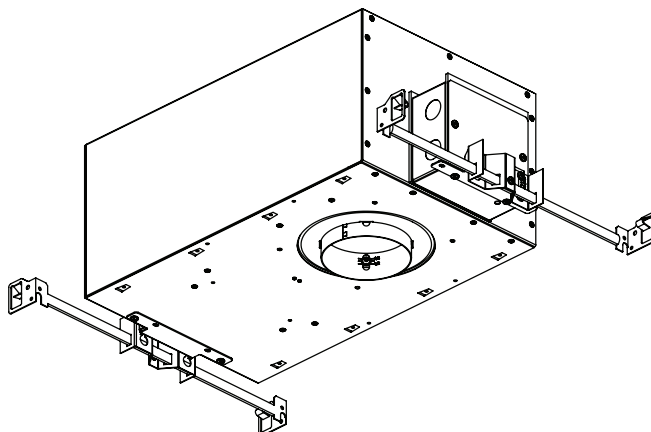
**F**

(SHALLOW PROFILE)



### IC HOUSINGS Housing used depends on specified lumen package. Consult factory for details.

**G**





RECESSED LED DOWNLIGHT (IC, NON-IC, REMODEL)  
4" SQUARE FIXED EXPANDED APERTURE WET LOCATION

**PROVISIONAL**  
[SHIPPING JANUARY 2016]

## LUTRON PRODUCTS COMPATIBILITY

Measured Light Output Range with all listed is **100% - 1%**.

### Power supply **UL3**

Product Family	120V Part No.	277V Part No.	Fixtures Per Control	
			120V	277V
NovaT®	NTF-10-	NTF-10-277-	1 - 41	1 - 44
	NTF-103P-	NTF-103P-277-	1 - 20	1 - 33
Nova®	NF-10-	NF-10-277-	1 - 41	1 - 44
	NF-103P-	NF-103P-277-	1 - 20	1 - 33
Vareo®	VF-10-	--	1 - 20	--
Skylark®	SF-10P-	SF-12P-277-	1 - 20	1 - 33
	SF-103P-	SF-12P-277-3	1 - 20	1 - 33
Diva®	DVF-103P-	DVF-103P-277-	1 - 20	1 - 33
	DVSCF-103P-	DVSCF-103P-277-	1 - 20	1 - 33
Ariadni®	AYF-103P-	AYF-103P-277-	1 - 20	1 - 44
Vierti®	VTF-6A-		1 - 15	1 - 33
Maestro®	MAF-6AM-	MAF-6AM-277-	1 - 15	1 - 33
	MSCF-6AM-	MSCF-6AM-277-	1 - 15	1 - 33
Maestro Wireless®	MRF2-F6AN-DV-		1 - 15	1 - 33
RadioTouch®	RTA-RX-F-		1 - 41	1 - 88
Spacer System®	SPSF-6A-	SPSF-6A-277-	1 - 15	1 - 33
	SPSF-6AM-	SPSF-6AM-277-	1 - 15	1 - 33
Lyneo® Lx	LXF-103PL-	LXF-103PL-277-	1 - 20	1 - 33
RadioRA® 2	RRD-F6AN-DV-		1 - 15	1 - 33
HomeWorks® QS	HQRD-F6AN-DV		1 - 15	1 - 33
Interfaces	PHPM-3F	PHPM-3F-DV	1 - 41	1 - 88
	GRX-FDBI-16A		1 - 41	1 - 88
PowPak™ with Ecosystem	RMJ-ECO32-DV-B		32 per EcoSystem link	
Energi Savr Node™ with EcoSystem	QSN-1ECO-S, QSN-2ECO-S		63 per EcoSystem link	
GRAFIK Eye® QS with EcoSystem	QSG-_P120		64 per EcoSystem link	
Quantum®	Various		64 per EcoSystem link	

### Power supply **1L2**

Product Family	Part No.	Fixtures Per Control	
		120V Only	277V Only
NovaT®	NTLV-600-CPN0199	1 - 8	
Maestro Wireless®	MRF2-6ND-120	1 - 8	
RadioRA® 2 1000W	RRD-10ND	1 - 13	
RadioRA 2 adaptive dimmer	RRD-6NA	1 - 8	
RadioRA 600W	RA-6ND	1 - 8	
RadioRA 1000W	RA-10ND	1 - 13	
HomeWorks® QS 600W (LED)	HQRD-6ND	1 - 8	
HomeWorks QS 1000W (LED)	HQRD-10ND	1 - 13	
HomeWorks QS adaptive dimmer	HQRD-6NA	1 - 8	
HomeWorks QS WPM (LED)	HQRJ-WPM-6D-120	1 - 10 (per output)	
HomeWorks 600W dimmer	HRD-6ND	1 - 8	
HomeWorks 1000W dimmer	HWD-10ND, HRD-10ND	1 - 13	
HomeWorks WPM	HWI-WPM-6D-120	1 - 10 (per output)	
GRAFIK EYE® QS (fluorescent)	QSGR-, QSGRJ-	1 - 10 (per output)	
GRAFIK EYE 3000 (fluorescent)	GRX-3100, GRX-3500	1 - 10 (per output)	
RPM-4U module, (LCP, HomeWorks, GRAFIK Systems, Quantum®)	HW-RPM-4U-120, LP-RPM-4U-120	1 - 26 (per output)	
RPM-4A module, (LCP, HomeWorks, GRAFIK Systems, Quantum) (LED)	HW-RPM-4A-120, LP-RPM-4A-120	1 - 13 (per output)	
GP panels (LCP, HomeWorks, GRAFIK Systems, Quantum)	Various	1 - 26	
Stanza®	SZ-6ND	1 - 8	