



DL1ZP

RECESSED DOWNLIGHT
ROUND FIXED

DL1ZP

DESCRIPTION

A Aiming

Fixed vertical lampholder

B Special Features

Die-cast Professional Baffle minimizes aperture glare; sealed collar prevents light leak

C Effects Devices

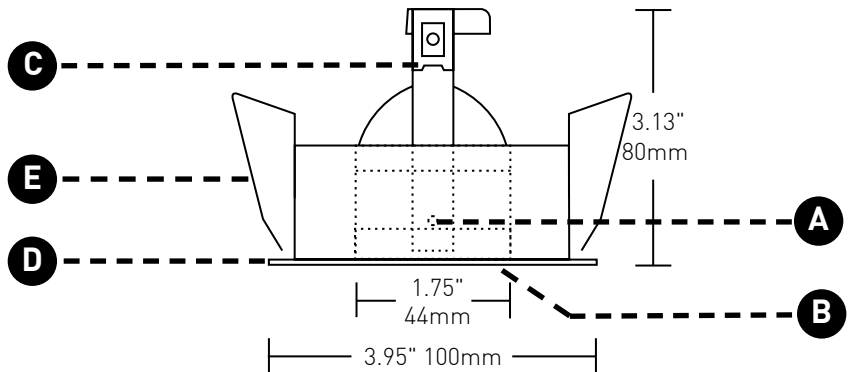
Frosted glass lens included; registered yoke allows secure placement of multiple effects devices (see chart below for total per light source)

D Trim Plate

Thickness measures 0.055"; install as zero-sightline or flange overlay

E Retention

Torsion spring clips accommodate varying ceiling thicknesses (up to 1") and ensure snug fit of trim against ceiling



TECHNICAL

CONSTRUCTION

Trim: Steel and aluminum; painted finishes are granulated powdercoat

HOUSING

See housing specifications (page 2)

LAMP

MR-16 style lamp options: 12V halogen (HAL) *max wattage is housing dependent*, ceramic metal halide (HID) *max wattage is housing dependent*, light emitting diode (LED)

LISTING

ETL listed in US and Canada for dry/damp locations

To ensure optimal results, it is recommended to specify lamps supplied by Lucifer Lighting* (see page 2)

WARRANTY

Manufacturer's one year warranty guarantees product(s) listed to be free from defects in material workmanship under normal use and service. Warranty is conditional upon use of manufacturer supplied transformer or ballast.

ORDERING INFORMATION (downlight)

Example: DL1ZP-W-HAL			Example: 12-50-HRIR-MF			
SERIES	FINISH	LIGHT SOURCE	EFFECTS DEVICES	LAMP		
DL1ZP	W Matte White*	HAL Halogen	<input type="checkbox"/> AGL-2 Amber Glass Lens	* Optional (see page 2)		
	B Matte Black*	HID High Intensity Discharge	<input type="checkbox"/> CGL-2 Clear Glass Lens	HAL	HID	LED
	C Polished Chrome	LED Light Emitting Diode	<input type="checkbox"/> FGL-2 Frosted Glass Lens (standard)	3	2	1
	IG Industrial Gray (Bead Blasted SS)		<input type="checkbox"/> HCL-2 Honeycomb Louver			
	MG Metallic Gray*		<input type="checkbox"/> LSL-2 Linear Spread Lens			
	SS Brushed Stainless Steel		<input type="checkbox"/> SFL-2 Soft Focus Lens			
	ABR Architectural Bronze*		<input type="checkbox"/> SGL-2 Spread Lens			
	BRP Polished Oil-Rubbed Bronze Plate		<input type="checkbox"/> UVL-2 Ultra Violet Lens			
	BRM Matte Oil-Rubbed Bronze Plate		<input type="checkbox"/> WTL-2 Warm Tone Lens			

*Powdercoat

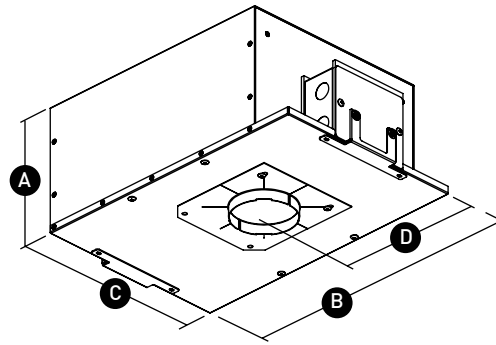
UNIVERSAL HOUSINGS

DL1ZP

IC

For use with recessed downlights in IC accessible and non-accessible ceilings up to 1" thick. Transformer compartment and all splice connections may be serviced from room side. Certified Chicago Plenum and ASTM E283 Airtight version available. Hanging bars are included and can be fitted to all sides of the housing.

Maximum wattage: 50W for halogen, 20W for HID.



- A** 6.1" / 155mm
- B** 16.3" / 414mm
- C** 10" / 254mm
- D** 7.2" / 183mm (aperture centerline)

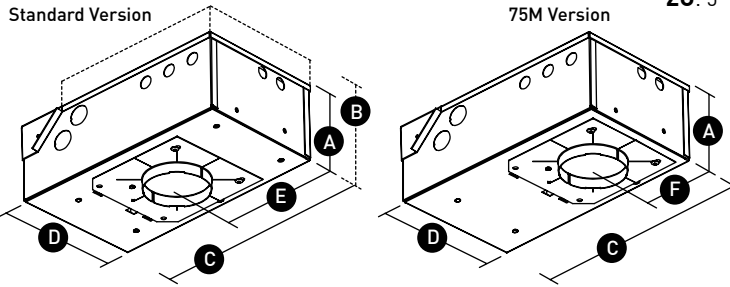
Ceiling cut-out diameter

ZF: 3.5" / 89mm
 ZO: 5" / 127mm

NON-IC

For use with recessed downlights in non-IC, accessible and non-accessible ceilings up to 1" thick. Transformer compartment and all splice connections serviceable from room side. Hanging bars are included and can be fitted to all sides of the housing for installation in spaces as narrow as 9".

Maximum wattage: 75W* for halogen, 39W for HID. HID version comes with extended top. The lowest profile housing (see measurement A) is for use with halogen lamp. *Note: 75 watt version has modified aperture centerline (see measurement F). Specify "75M" for max watts.



- A** 3.7" / 94mm (HAL)
- B** 6" / 152mm (HID)
- C** 12" / 305mm
- D** 6.8" / 172mm
- E** 6.3" / 160mm (standard aperture centerline)
- F** 3" / 76mm (75M version aperture centerline)

ORDERING INFORMATION (housing)

EX: DH-IC-ZF-HAL-50-120E

HOUSING	RATING	SERIES	LIGHT SOURCE	MAX WATTS	POWER SUPPLY (primary)
DH	IC	ZF	HAL	75M	120E
	AC	ZO		50	277E
	NIC			50	120M
			HID	37	277M
				20	REM
				50	120EZL
				50	120T
				39	120E
				20	277E
					REM
			LED	10	120E
					120V Electronic
					277V Electronic
					120V Magnetic
					277V Magnetic
					Remote
					120V Electronic Zero-Load*
					120V Torroidal

*Zero-Load transformer accommodates retrofit 50W max MR-16 style LED lamp.

ORDERING INFORMATION (lamps)*

12-37-HRIR-SP	37W IR Halogen 10° Spot	12-50-HR-MF	50W Halogen 30° Medium Flood
12-37-HRIR-MF	37W IR Halogen 25° Medium Flood	12-50-HR-FL	50W Halogen 40° Flood
12-37-HRIR-FL	37W IR Halogen 35° Flood	120-20-MH-SP	20W Ceramic Metal Halide HID 12° Spot
12-37-HRIR-WF	37W IR Halogen 60° Wide Flood	120-20-MH-MF	20W Ceramic Metal Halide HID 25° Medium Flood
12-50-HRIR-SP	50W IR Halogen 10° Spot	120-20-MH-FL	20W Ceramic Metal Halide HID 40° Flood
12-50-HRIR-MF	50W IR Halogen 25° Medium Flood	120-39-MH-SP	39W Ceramic Metal Halide HID 12° Spot
12-50-HRIR-FL	50W IR Halogen 35° Flood	120-39-MH-MF	39W Ceramic Metal Halide HID 25° Medium Flood
12-50-HRIR-WF	50W IR Halogen 60° Wide Flood	120-39-MH-FL	39W Ceramic Metal Halide HID 40° Flood
12-20-HL-SP	20W Halogen 12° Spot	12-5-LED-SP	5W MR-16 Style LED 10° Spot
12-20-HL-MF	20W Halogen 15° Medium Flood	12-5-LED-MF	5W MR-16 Style LED 25° Medium Flood
12-20-HL-FL	20W Halogen 25° Flood		
12-50-HR-SP	50W Halogen 15° Spot		

ZERO-SIGHTLINE

APPLIQUÉS

DESCRIPTION

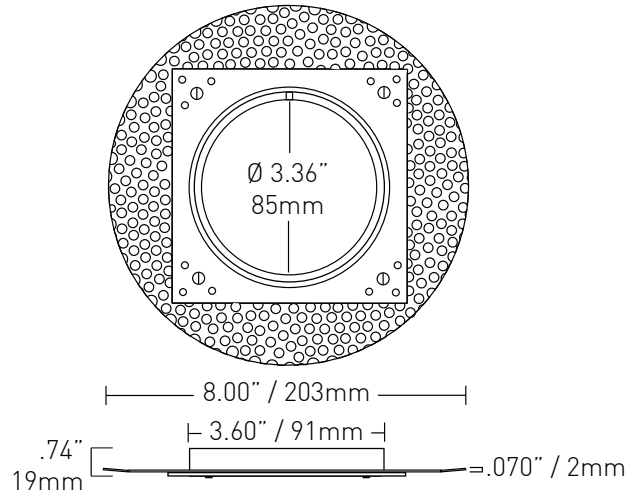
• Appliqué

Round and square appliques are necessary to complete a Z Series zero-sightline installation. Available in standard and reduced profile versions. All models include a removable plaster plug to ensure flush trim fit after mudding.

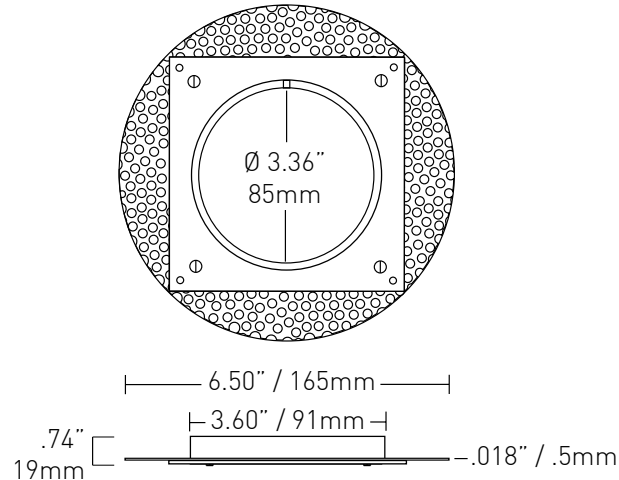
DLA-APP-Z-RD-3 is recommended for all applications as it provides maximum structural reinforcement.

DLA-APP-Z-RD-5 has a thinner profile and smaller diameter and is optional for installations where a thinner profile to apply mudding is preferred.

DLA-APP-Z-RD-3



DLA-APP-Z-RD-5



TECHNICAL

CONSTRUCTION

Steel and aluminum, nylon screws

WARRANTY

Manufacturer's one year warranty guarantees product(s) listed to be free from defects in material or workmanship under normal use and service. Warranty is conditional upon use of manufacturer supplied transformer or ballast.

ORDERING INFORMATION

EX: DLA-APP-Z-RD-3

DLA-APP-Z	RD	
APPLIQUÉ	TRIM SHAPE	PROFILE
DLA-APP-Z	RD Round	-3 Recommended -5 Level 5 Ceilings