



## FEATURES & SPECIFICATIONS

### INTENDED USE

Specification premium, high performance, static T5 luminaires provide general illumination for recessed applications; ideal for restricted plenum spaces.

### ATTRIBUTES

Designed specifically for use with high-efficiency T5 lamps, electronic ballasts and rotary sockets.

### CONSTRUCTION

Smooth hemmed sides and smooth, inward formed end flanges for easy handling. Lighter weight fixture allows safe, easy installation.

Standard steel door frame has superior structural integrity with premium extruded appearance and precision flush mitered corners. Powder-painted, steel latches provide easy, secure door closure.

Superior mechanical light seal requires no foam gasketing. Integral T-bar clips secure fixture to T-bar system. Housing formed from cold-rolled steel. No asbestos is used in this product.

**US PATENTS: 6,210,025; 6,231,213; 6,213,625; 2,288,471.**

### FINISH

Five-stage iron-phosphate pretreatment ensures superior paint adhesion and rust resistance. Painted parts finished with highly reflective matte white enamel.

### OPTICAL

Post painted perforated steel face plate with aluminum parabolic baffles, provides unique appearance in ceiling. Aluminum parabolic baffles are available in two- and three-lamp configurations. Blades are available in straight, convex and concave shapes. Baffles are designed to provide maximum light control and efficiency.

### ELECTRICAL SYSTEM

Standard ballast is electronic programmed rapid start, thermally protected, resetting, Class P, HPF, non-PCB, UL Listed, CSA certified ballast, universal voltage and sound rated A.

Luminaire is suitable for damp locations. AWM, TFN or THHN wire used throughout, rated for required temperatures.

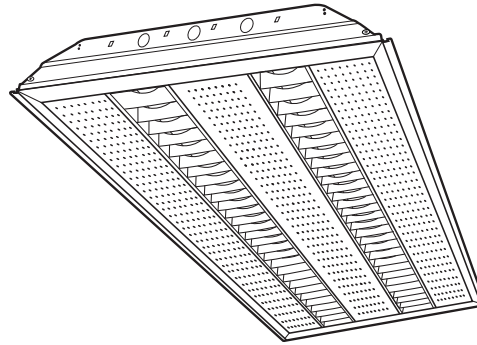
### LISTING

Standard: UL. Optional: Canada — CSA or cUL; Mexico — NOM.

|                |      |
|----------------|------|
| Catalog Number |      |
| Notes          | Type |

### Specification Premium T5 Troffer

# SP5 2'X4'



Aluminum Baffles  
T5 and T5HO Lamps  
2 or 3 Lamps

### Specifications

Length: 48 (1218)  
Width: 24 (609)  
Depth: 3-1/4 (83)  
Weight: 22 lbs (9.9 kg)

All dimensions are inches (millimeters).

### WARRANTY

Guaranteed for one year against mechanical defects in manufacture. Specifications subject to change without notice.

## ORDERING INFORMATION

Lead times will vary depending on options selected. Consult with your sales representative.

Example: 2SP5 G 2 28T5 NEOXBL MVOLT GEB95

### 2SP5

| Series                          | Number of lamps   | Door frame   | Voltage   | Ballast  | Options  |
|---------------------------------|---|--|---|--|--|
| 2SP5                            | 2<br>3  | (blank) Flush steel, white<br>FW Flush aluminum, white   | MVOLT <sup>2</sup><br>120<br>277<br>347 <sup>3</sup><br>Others available. | GEB95 0.95 ballast factor <sup>4,5</sup><br>GEB10PS 1.00 ballast factor<br>GEB95S 0.95 ballast factor, step dimming <sup>4,5</sup><br>GEB115 1.15 ballast factor <sup>4,5</sup><br>GEB115S 1.15 ballast factor, step dimming <sup>4,5</sup><br>S5 0.95 ballast factor, SIMPLY5 system <sup>5,6</sup> | 1/3 One three-lamp ballast (T5HO only)<br>EL14 Emergency battery pack <sup>7,8</sup><br>GLR Internal fast-blow fuse <sup>7</sup><br>GMF Internal slow-blow fuse <sup>7</sup><br>LP835 3500K<br>LPM835P Premiere 3500K <sup>5</sup><br>LP841 4100K<br>PWS1836 6' prewire, 3/8" dia., 18-gauge, 3 wires<br>PWS1846 6' prewire, 3/8" dia., 18-gauge, 4 wires <sup>9</sup><br>JP Palletized and stretch-wrapped without individual cartons<br>CSA CSA Certified<br>NOM NOM Certified |
| Trim type                       | Lamp type   | Diffuser type  |   |  |  |
| G Grid<br>F Overlapping flanged | 28T5 28W T5 (46")<br>54T5HO 54W T5HO (46") <sup>1</sup> | NEOSBL Steel perforated face plate with straight blade specular louvers<br>NEOCBL Steel perforated face plate with concave specular louvers<br>NEOXBL Steel perforated face plate with convex specular louvers |   |  |  |

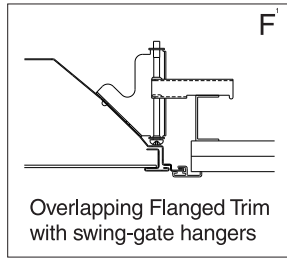
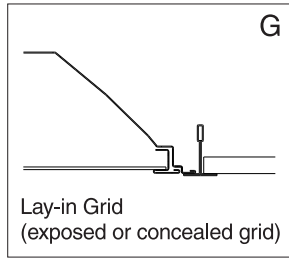
### NOTES:

- For T5HO applications, use GEB10PS.
- MVOLT (120-277 volts), 50-60HZ.
- For 347V, use GEB95S or GEB10PS.
- Available with two-lamp configurations only.
- 28T5 lamps only.
- SIMPLY5 system includes 13' S5 RELOC wiring system. Specify voltage unless HW (hardware) or PWS1836 is ordered. For two-lamp 28T5 only.
- Must specify voltage: 120V or 277V.
- Not available with three-lamp 28T5 configurations.
- Use with GEB95S or GEB115S.

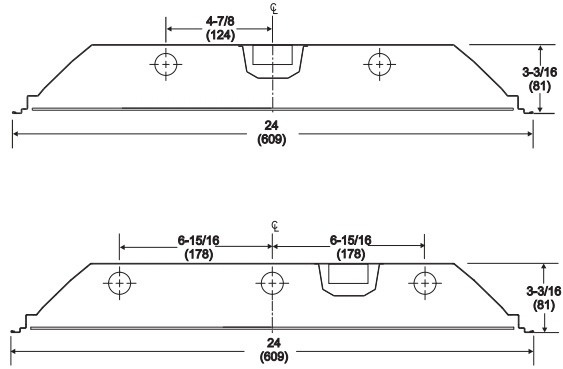
# SP5 2'x4' Static T5 Troffer

## MOUNTING DATA

Continuous row mounting of flanged units requires CRE and CRM trim options (see Options).



## DIMENSIONS



### NOTE:

- 1 Recommended rough-in dimensions for F-trim fixtures 24"x48". (Tolerance is +1/4"-0".)  
Swing-gate range 1-3/16" to 3-15/16". Swing-gate span 23-3/8" to 26-11/16". Fixture swing-gate points require additional 9/16" over nominal fixture height.

## PHOTOMETRICS

Calculated using the zonal cavity method in accordance with IESNA LM41 procedure. Floor reflectances are 20%. Lamp configurations shown are typical. Full photometric data on these and other configurations available upon request.

TEST NO: LTL17209

LUMINAIRE CATALOG NO.: 2SP5 2 28T5 NEOXBL GEB10PS

LUMENS PER LAMP: 2600

| RCR | pf | pc | pw | Coefficients of Utilization |     |     |     |     |     |     |     |     |
|-----|----|----|----|-----------------------------|-----|-----|-----|-----|-----|-----|-----|-----|
|     |    |    |    | 80%                         |     |     | 70% |     |     | 50% |     |     |
|     |    |    |    | 50%                         | 30% | 10% | 50% | 30% | 10% | 50% | 30% | 10% |
| 0   |    |    |    | 75                          | 75  | 75  | 73  | 73  | 73  | 70  | 70  | 70  |
| 1   |    |    |    | 68                          | 66  | 64  | 67  | 65  | 63  | 64  | 63  | 61  |
| 2   |    |    |    | 62                          | 58  | 56  | 60  | 58  | 55  | 58  | 56  | 54  |
| 3   |    |    |    | 56                          | 52  | 48  | 55  | 51  | 48  | 53  | 50  | 47  |
| 4   |    |    |    | 50                          | 46  | 42  | 50  | 45  | 42  | 48  | 45  | 42  |
| 5   |    |    |    | 46                          | 41  | 38  | 45  | 41  | 37  | 44  | 40  | 37  |
| 6   |    |    |    | 42                          | 37  | 33  | 41  | 37  | 33  | 40  | 36  | 33  |
| 7   |    |    |    | 38                          | 33  | 30  | 38  | 33  | 30  | 37  | 33  | 30  |
| 8   |    |    |    | 35                          | 30  | 27  | 35  | 30  | 27  | 34  | 30  | 27  |
| 9   |    |    |    | 32                          | 28  | 24  | 32  | 27  | 24  | 31  | 27  | 24  |
| 10  |    |    |    | 30                          | 25  | 22  | 29  | 25  | 22  | 29  | 25  | 22  |

| Zonal Lumen Summary |        |        |           |
|---------------------|--------|--------|-----------|
| Zone                | Lumens | % Lamp | % Fixture |
| 0° - 30°            | 1231.3 | 23.7   | 37.7      |
| 0° - 40°            | 2060.7 | 39.6   | 63.1      |
| 0° - 60°            | 3210.2 | 61.7   | 98.3      |
| 0° - 90°            | 3265.7 | 62.8   | 100.0     |
| 90° - 180°          | 0.0    | 0.0    | 0.0       |
| 0° - 180°           | 3265.7 | 62.8   | 100.0     |