

Skyway SKS2GPK214 or 224

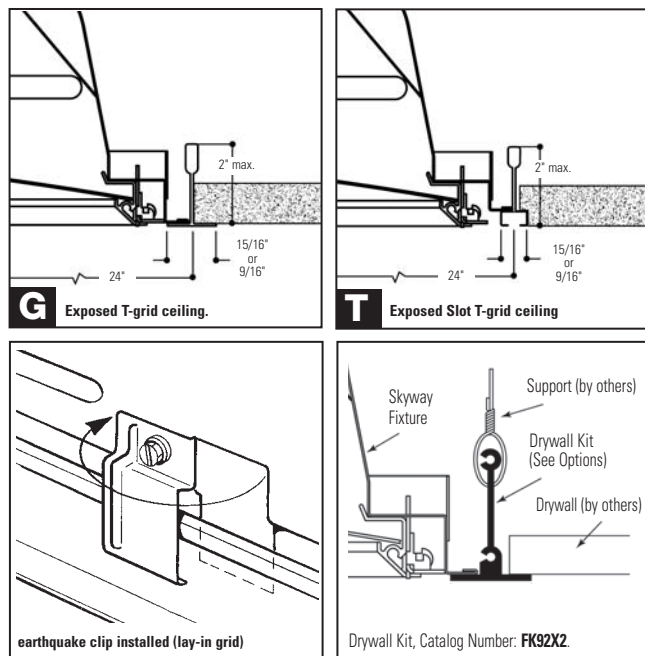
2' x 2' Recessed Fluorescent, Tri-Lens Frame
Static or Air Supply/Return, 2 Lamp T5 or T5HO

Features

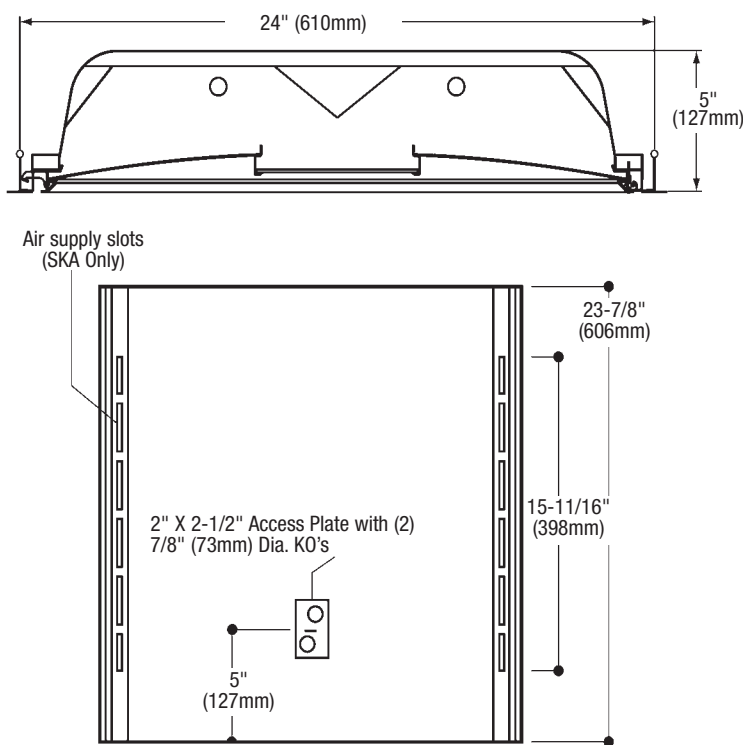
- Aesthetically pleasing triple lens design.
- Curved high light transmission frost white acrylic side lenses.
- Clear acrylic conical prismatic center lens.
- Internal reflector coated with 95% reflective white paint.
- 72.8% efficient 2 Lamp 14 watt T5.
- 74.6% efficient 2 Lamp 24 watt T5HO.
- 5" deep body.
- Black housing exterior for cooler ballast operating temperature.
- Eyeleted heat removal vents in fixture ends.
- Hemmed over side rails for maximum safety.
- Fixture ends turned-in for safe handling.
- Built-in earthquake clips.
- Door jamb finished black on four sides for positive light stop.
- True mitered corner aluminum lens frame.
- Spring loaded rooster head latches.
- 18 gauge steel hinges.
- Construction to meet NYC Code Requirements or Chicago Plenum is available.



Mounting Methods



Dimensions



Job Information Type:

Job Name:

Cat. No.:

Lamp(s):

Volts/Ballast:

