

## Calculite & LyteProfile recessed downlight emergency lighting battery pack

Catalog number:

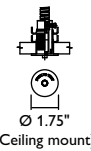
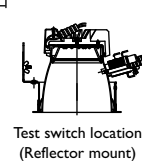
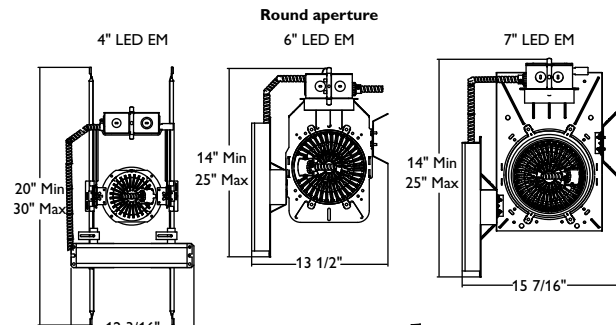
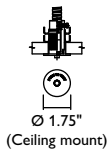
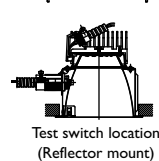
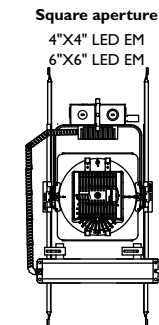
Notes:

Type:

### Luminaire compatibility matrix

Ceiling mounted test switch provided standard, add EM suffix to new construction frame-in kit. Example: C6L20N1EM

Reflector mounted test switch available on some trim types, see below table for availability and restrictions, add EM suffix to reflector trim where available. Example: C4L10DL27KCLWEM



LyteProfile (new construction frames only)		Initial luminaire EM lumens 3500K	Ceiling mount w/EM Test button	Reflector trim mount w/EM Test button
4"	P4RD10 Series	875	Standard	Not Available
6"	P6RD15 Series	916	Standard	Not Available
Round (new construction frames only)		Initial luminaire EM lumens 3000K	Ceiling mount w/EM Test button	Reflector trim mount w/EM Test button
4"	C4L05DL Series	485	Standard	Available*
	C4L10DL Series	656		
6"	C6L1520DL Series med beam	638	Standard	Available*
	C6L1520DL Series wide beam	693		
7"	C7L1520DL Series med beam	703	Standard	Available
	C7L1520DL Series wide beam	696		
Square		Initial luminaire EM lumens 3000K	Ceiling mount w/EM Test button	Reflector trim mount w/EM Test button
4"	C4X4L05DL Series	514	Standard	Available*
	C4X4L10DL Series	665		
6"	C6X6L1520DL Series	693	Standard	Available*

\* Above ceiling access required to install EM switch.

### Features

**Battery pack:** Provides 90 minutes of lighting when AC power fails.

Meets National Electrical and Life Safety Codes.

Can be accessed and replaced below-ceiling. Compatible with both 120V/277V.

**Mounting:** Mounts to frame-in kit mounting bracket.

**Test switch/charge light:** Can be installed in compatible reflectors (EM suffix required) or ceiling. All required components included for both installations.

**Max ceiling thickness:**

4" Aperture (round and square): 2"

6" Aperture (round only): 1 1/8"

7" Aperture (round only): 1 1/8"

**Options:** For field install emergency battery kit, see below :

**CLAEM05:** 500 lumen, 120V /277V (Calculite only)

**CLAEM10:** 1000 lumen, 120V / 277V (Calculite only)

**CLAEM1520:** 1500/2000 lumen, 120V / 277V (Calculite only)

### Labels

UL listed for damp locations only. Not approved for Chicago plenum applications.