

**Read and understand these instructions before installing luminaire (fixture) .**

This luminaire is intended for installation in accordance with the National Electrical Code and local regulations. To assure full compliance with local codes and regulations, check with your local electrical inspector before installation. To prevent electrical shock, turn off electricity at fuse box before proceeding. Allow fixture to cool before handling.

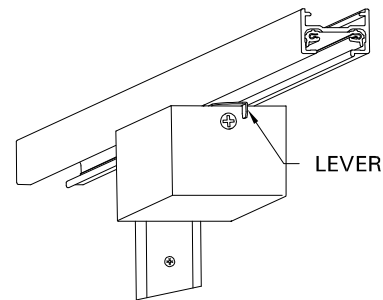
**Retain these instructions for maintenance reference.**

**INSTRUCTIONS FOR INSTALLING AND OPERATING LLF27, LLF30, LLF35, AND LLF40 TRACK LED LUMINAIRES.  
FOR USE WITH LIGHTOLIER LYTESPAN® TRACK SYSTEMS ONLY.**

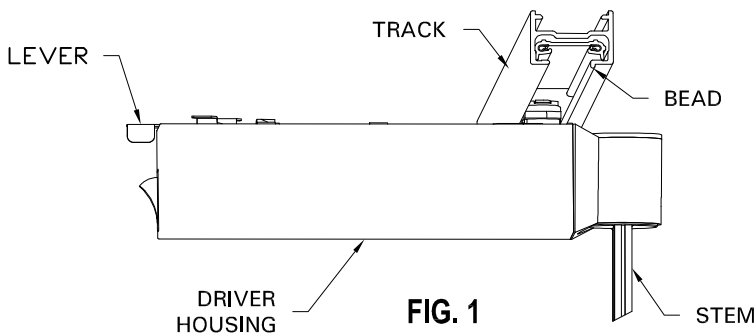
- Compatible with ceiling, wall and suspended mounted track. Compatible with multipoint.
- Compatible with monopoint 6171 and 6172. Sold separately.
- Compatible with visor LLFVZ and vertical blade louver LLFLV. Sold separately.
- Compatible with certain types of dimmers. See specification sheet LED-DIM for compatible dimmers.
- Not compatible with 6170 and 6190 monopoints, extension wands, clamp-on monopoint, weighted base, sloped ceiling adapter, Atom™, pro-spec track.
- CAUTION: HOT SURFACE. Keep away from curtains and any other combustible materials.
- CAUTION: Turn power off and allow fixture to cool before handling.
- CAUTION: Do not operate without protective glass lens or if protective lens is damaged.
- CAUTION: No consumer serviceable parts. Contact factory if service is required.
- CAUTION: For use in dry locations only.

**INSTRUCTIONS FOR ATTACHING LUMINAIRE TO TRACK.**

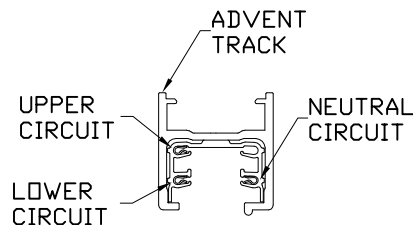
1. Turn off power to TRACK.
2. Insert luminaire into TRACK as shown in FIG. 1. The STEM must be on the same side as the BEAD.
3. Rotate DRIVER HOUSING clockwise 90°, pull BALLAST HOUSING away from TRACK enough for LEVER to clear TRACK.
4. Turn LEVER to position shown in FIG 2. to mechanically secure DRIVER HOUSING.
5. TO REMOVE: Turn LEVER, lightly pull down DRIVER HOUSING, and rotate counterclockwise.



**FIG. 2**



**FIG. 1**



**FIG. 3**

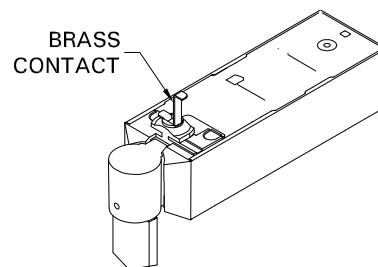
**INSTRUCTIONS FOR CONVERTING LUMINAIRE TO OPERATE ON 2 CIRCUIT ADVENT® TRACK. FIG.3**

**TO POWER ON UPPER CIRCUIT**

1. Raise BRASS CONTACT to high position by pulling CONTACT as high as stop permits (See FIG. 4).
2. Follow instructions above for installing into track.

**TO POWER ON LOWER CIRCUIT :**

1. Ensure CONTACTS are at the same level. Push down BRASS contact if needed.
2. Follow instructions above for installing into track.



**FIG. 4**

**INSTRUCTIONS FOR OPERATING LUMINAIRE.**

## 1. Adjust VERTICAL and HORIZONTAL aim (FIG. 8).

Note: vertical and horizontal rotation have mechanical stops and locking feature. Do not force past stop. If aim is locked loosen SET SCREWS.

Note: Horizontal and Vertical aiming can be locked. To lock, tighten SET SCREWS with hex key (by others). Do not overtighten screws.

To unlock loosen SET SCREWS.

## 3. Turn power on to track circuit.

