

PHILIPS
Day-Brite
CFI

Recessed

HP90 LED 2x2

2800, 3300, or 3900 lumens



Project: _____
 Location: _____
 Cat.No: _____
 Type: _____
 Lamps: _____ Qty: _____
 Notes: _____

The Philips Day-Brite / Philips CFI HP90 LED recessed family is one of our popular soft light collection of luminaires. This is the first introduction of LED with a direct/indirect appearance utilizing highly reflective paint on the soft contoured reflectors and high light transmission linear prismatic lens to enclose the LEDs.

Ordering guide

Example: HLS22GLR28L40ULAG

Family	Air Function	Fixture Size	Ceiling Type	Diffuser	Lumen Package	Color Temp.	Voltage	Driver Type	Options
<input type="text" value="HL"/>	<input type="text" value="S"/>	<input type="text" value="22"/>	<input type="text" value="G"/>	<input type="text" value="LR"/>	<input type="text"/>	<input type="text"/>	<input type="text"/>	<input type="text" value="-"/>	<input type="text"/>
HL HP90 direct-indirect recessed	S Static	22 2'x2'	G Fits both standard and slot grid Consult factory for other ceiling systems.	LR Linear prismatic lens	28L 2800 lumens 33L 3300 lumens 39L 3900 lumens 4000K represented (Approximate delivered values. Consult IES file)	35 3500K 40 4000K 45 4500K 50 5000K Consult representative for other color temperature options. (Approximate values. Consult IES file.)	U Universal voltage 120-277V 3 347V	LAG Standard driver DZT 0-10V dimming SZT Step dimming to 40% input power	F1 3/8" flex, 3 wire 18 gauge 6' F2 3/8" flex, 4 wire 18 gauge 6' F1/D 3/8" twin flex, 3 wire 18 gauge 6' for dimmable luminaires F2/5W 3/8" single flex, 5 wire 18 gauge 6' for dimmable luminaires GLR Fusing, fast blow EMLED Integral emergency battery pack CHIC Chicago Plenum rated

Accessories (order separately)

- **FMA22** – 2'x2' "F" mounting frame for NEMA "F" installations

HLS HP90 LED recessed 2x2

2800, 3300, or 3900 lumens

Features

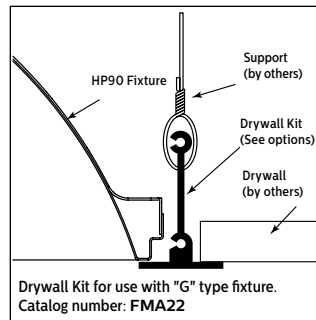
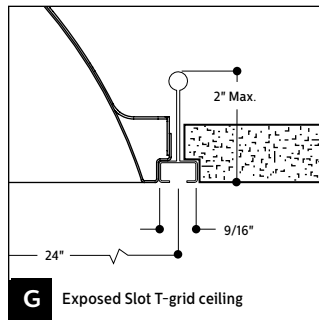
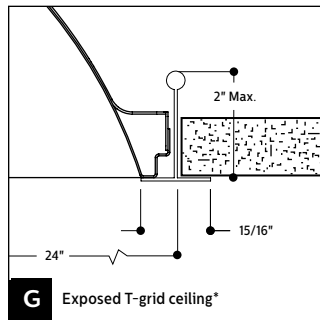
- Direct/indirect appearance with soft contoured interior.
- Translucent DR acrylic high light transmission linear prismatic lens.
- Field replaceable LED array and driver accessible from below.
- Integrated thermal management system conducts heat away from LEDs and transfers it to the surrounding environment.
- High efficiency LEDs have 50,000 hour rated life at L70.
- Predicted L70 lifetime is based on LED manufacturer's supplied LM-80 data and in-situ laboratory testing.
- Lens encloses light source compartment.
- Lamp shield opens from either side.
- Tension screws secure ends to body.
- Same fixture fits both G and Slot T ceiling types.
- Fits flush to face of slot grid (T) ceiling types.
- Suitable for continuous row mounting.
- Five-year warranty on luminaire, LED boards and driver.
- DLC Listed. Please check the DLC Qualified Products List to confirm (www.designlights.org/QPL).

- Many luminaire components, such as reflectors, refractors, lenses, sockets, lamp holders, and LEDs are made from various types of plastics which can be adversely affected by airborne contaminants. If sulfur based chemicals, petroleum based products, cleaning solutions, or other contaminants are expected in the intended area of use, consult factory for compatibility.

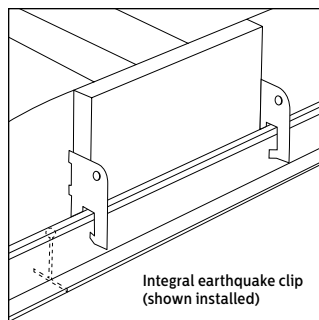
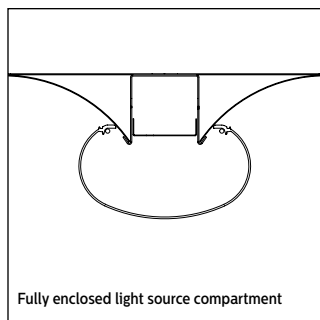
Specifications

- **Materials:** Chassis parts—Die-formed code gauge cold rolled steel.
- **Finish:** Chassis exterior—White baked polyester enamel. Cavity—White baked polyester enamel. Rust preventative undercoating.
- **Lens:** LR—Linear prismatic translucent DR acrylic lens.
- **Electrical:** LED boards and drivers are RoHS (Restriction of Hazardous Substances) compliant.
- **Labels:** cULus listed for damp locations.

Mounting methods



* For flush mounting when using 9/16" Exposed T-Grid ceiling system consult factory



Dimensions

