

Ordering Information

Catalog No.	Finish	Mounting	Lamping
81F39T4AL 81F39T4BK 81F39T4WH	Matte Aluminum Matte Black Matte White	All Lytespan Track systems, Basic, Advent and Radius Track systems only. Not compatible with ProSpec track system.	39W T4 GU6.5 Base CMH Ceramic Metal Halide Not included
81F39T4SPCAL 81F39T4SPCBK 81F39T4SPCWH	Matte Aluminum Specular Reflector Matte Black Specular Reflector Matte White Specular Reflector		
81F39T4WRMAL 81F39T4WRMBK 81F39T4WRMWH	Matte Aluminum Warming Reflector Matte Black Warming Reflector Matte White Warming Reflector		

Features

1. **Track Attachment Fitting:** Molded polycarbonate. Integral color in gray, black or white. Rotates into track and locks into place with the use of push tab.
2. **Push Tab:** Molded polycarbonate. Locks and detaches unit.
3. **Track Adaptor Housing:** Die-cast aluminum
4. **Movable Contact:** Solid Brass. Extends for connection to 2nd circuit in Advent track.
5. **Ground Contact:** Solid brass
6. **Pivot Mounts:** Allows for 350° horizontal and 0-90° vertical rotation in both directions with tensioned mounts for controlled aim.
7. **Ballast Housing:** Extruded aluminum housing with die-cast aluminum covers.
8. **Lamp Housing:** Extruded aluminum housing with two die-cast end plates.
9. **Protective Glass:** .125" tempered glass

Accessories

Vertical Blade Louver 81LV4BK
Visor 81VZ4BK

Finish

All Painted finishes are baked powder or enamel.

Electrical

Metal Halide Electronic Ballast
.40A Maximum input current
45W Maximum input power
High power factor

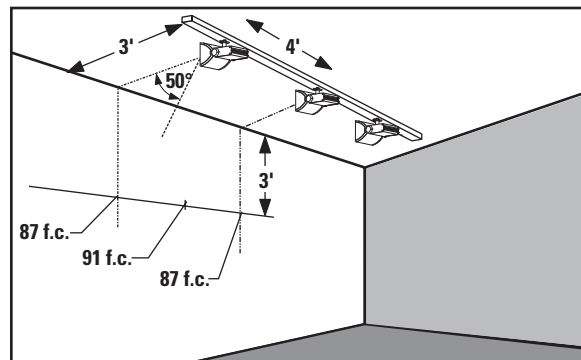
Labels

cCSAus Listed, for dry locations only.

Job Information	Type:
Job Name:	
Cat. No.:	
Lamp(s):	
Notes:	

Lighting Data – Specular Reflector

Footcandles on wall:



Lamp Information:

39W T4 Gu6.5
Lumens: 3400
Rated Avg. life: 10,000 hrs.

EXAMPLE: With track located 2' from wall and multiple units spaced 3' on center and aimed 50° from horizontal, the illumination on wall 3' from ceiling will be 87 f.c. beneath units and 91 f.c. between units.

Footcandles on Wall

Track 3 Feet From Wall

Single Unit

		Distance From Wall					
		0'	1'	2'	3'	4'	5'
Distance From Ceiling	1	96	86	30	7	2	1
	2	100	105	48	13	4	1
	3	76	80	45	17	6	2
	4	47	49	35	17	7	3
	5	28	30	25	15	7	3
	6	17	18	17	12	7	3
	7	11	11	11	9	6	3
	8	7	7	7	6	5	3
	9	5	5	5	5	4	3

Multiple Units

		3'		4'		5'				
		112	117	112	100	62	100	98	30	98
		128	157	128	107	97	107	102	53	102
		111	135	110	87	91	87	79	58	79
		82	97	81	60	71	60	52	50	52
		60	67	58	42	52	42	34	40	34
		43	46	41	30	36	30	23	29	23
		31	32	29	22	26	22	17	21	17
		23	23	22	17	18	17	13	15	13
		17	17	16	13	14	13	10	11	10

Footcandles on Wall

Track 3 Feet From Wall

Single Unit

		Distance From Wall				
		0'	1'	2'	3'	4'
Distance From Ceiling	1	59	50	29	13	4
	2	59	53	34	17	6
	3	40	36	27	17	8
	4	23	23	19	13	8
	5	36	36	13	8	6
	6	11	11	8	6	6
	7	8	6	6	6	4
	8	6	4	4	4	4

Multiple Units

		4'		5'		6'				
		84	84	84	67	50	67	61	42	61
		92	95	92	71	69	71	63	50	63
		71	71	71	55	55	55	46	42	46
		50	50	50	40	40	40	32	32	32
		36	36	36	29	29	29	23	23	23
		27	27	27	21	21	21	19	19	19
		21	21	21	17	17	17	15	15	15
		15	15	15	13	13	13	11	11	11

Footcandles are average and rounded off. Data for multiple units is based on a minimum of five units.

For standard reflector multiply footcandles by 0.73

For warming reflector multiply footcandles by 0.82

Job Information

Type: