

Ordering Information

Catalog No.	Finish	Mounting	Lamping
81F20BTAL 81F20BTBK 81F20BTWH	Matte Aluminum Matte Black Matte White	All Lytespan Track systems, Basic, Advent and Radius Track systems only. Not compatible with ProSpec track system.	20W BT5 CDM-Tm (M,C175E) PGJ5 TAL base Not Included
81F20BTSPCAL 81F20BTSPCBK 81F20BTSPCWH	Matte Aluminum Specular Reflector Matte Black Specular Reflector Matte White Specular Reflector		
81F20BTWRMAL 81F20BTWRMBK 81F20BTWRMWH	Matte Aluminum Warming Reflector Matte Black Warming Reflector Matte White Warming Reflector		

Features

- Track Attachment Fitting:** Molded polycarbonate. Integral color in gray, black or white. Rotates into track and locks into place with the use of push tab.
- Push Tab:** Molded polycarbonate. Locks and detaches unit.
- Track Adaptor Housing:** Die-cast aluminum
- Movable Contact:** Solid Brass. Extends for connection to 2nd circuit in Advent track.
- Ground Contact:** Solid brass
- Pivot Mounts:** Allows for 350° horizontal and 0-90° vertical rotation in both directions with tensioned mounts for controlled aim.
- Ballast Housing:** Extruded aluminum housing with die-cast aluminum covers.
- Lamp Housing:** Extruded aluminum housing with two die-cast end plates.
- Protective Glass:** .125" tempered glass

Accessories

Vertical Blade Louver 81LV4BK
Visor 81VZ4BK

Finish

All Painted finishes are baked powder or enamel.

Electrical

Metal Halide Electronic Ballast
.23A Maximum input current
26W Maximum input power
High power factor

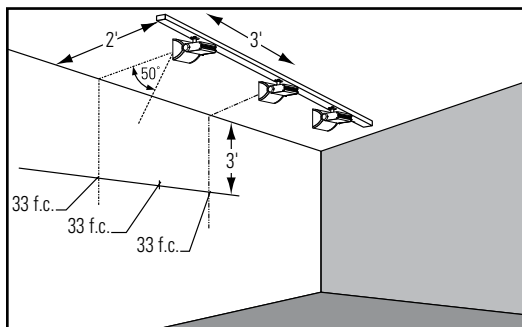
Labels

cCSAus Listed, for dry locations only.

Job Information	Type:
Job Name:	
Cat. No.:	
Lamp(s):	
Notes:	

Lighting Data

Footcandles on wall:



Lamp Information:
 22W, BT-5 CMH
 Lumens: 1625
 Rated Avg. life: 12,000 hrs.

EXAMPLE: With track located 2' from wall and multiple units spaced 3' on center and aimed 50° from horizontal, the illumination on wall 3' from ceiling will be 33 f.c. beneath units and 33 f.c. between units.

Footcandles on Wall

		Track 2 Feet From Wall					Single Unit			Multiple Units												
		← 2' →					← 2' →			← 3' →			← 4' →									
		Beam Center					Beam Center			Beam Center			Beam Center									
		0'	1'	2'	3'	4'	0'	1'	2'	3'	4'	0'	1'	2'	3'	4'	0'	1'	2'	3'	4'	
Distance From Ceiling	1'						59	43	18	5	1	94	95	94	68	63	68	61	36	61		
	2'						43	34	18	6	2	79	80	79	55	54	55	47	36	47		
	3'						22	19	12	6	2	46	47	46	33	33	33	27	24	27		
	4'						12	10	7	5	2	28	29	28	21	21	21	16	16	16		
	5'						7	6	5	3	2	18	18	18	14	14	14	11	11	11		
	6'						4	4	3	2	2	12	12	12	9	9	10	8	8	8		
	7'						3	3	2	2	1	9	9	9	7	7	7	6	6	6		
	8'						2	2	2	1	1	6	6	6	5	5	6	4	4	4		

		Track 3 Feet From Wall					Single Unit			Multiple Units												
		← 3' →					← 3' →			← 4' →			← 5' →									
		Beam Center					Beam Center			Beam Center			Beam Center									
		0'	1'	2'	3'	4'	0'	1'	2'	3'	4'	0'	1'	2'	3'	4'	0'	1'	2'	3'	4'	
Distance From Ceiling	1'						29	25	15	7	2	43	43	43	34	31	34	30	23	30		
	2'						29	25	17	9	4	46	47	46	36	35	36	31	26	31		
	3'						19	18	13	8	4	35	36	35	27	27	27	23	21	23		
	4'						12	11	9	6	4	24	25	24	19	19	19	16	15	16		
	5'						7	7	6	4	3	17	17	17	14	13	14	11	11	11		
	6'						5	5	4	3	2	12	13	12	10	10	10	9	8	9		
	7'						4	3	3	2	2	9	10	9	8	8	8	7	6	7		
	8'						3	2	2	2	2	7	7	7	6	6	6	5	5	5		

Job Information	Type:
------------------------	--------------