

APPLICATION - Designed for individual or continuous mounting, Series 99 provides a 6" x 6" cross section with unusual versatility. Luminaires may be surface, grid, flange, wall, pendant, or aircraft cable supported. A wide variety of lamp choices are available and may be coordinated with a broad selection of diffuser and louver combinations, including a parabolic cross baffle, Series 99 luminaires are available in 2', 4', or 8' lengths.

PHOTOMETRICS - Please visit our web site at www.lsi-industries.com for detailed photometric data.

LISTING - UL listed to U.S. and Canadian safety standards. Suitable for damp location. IBEW Union made in the U.S.A.



HOUSING - Die formed cold rolled steel with double thick welded corner construction. White polyester powder coated finish standard.

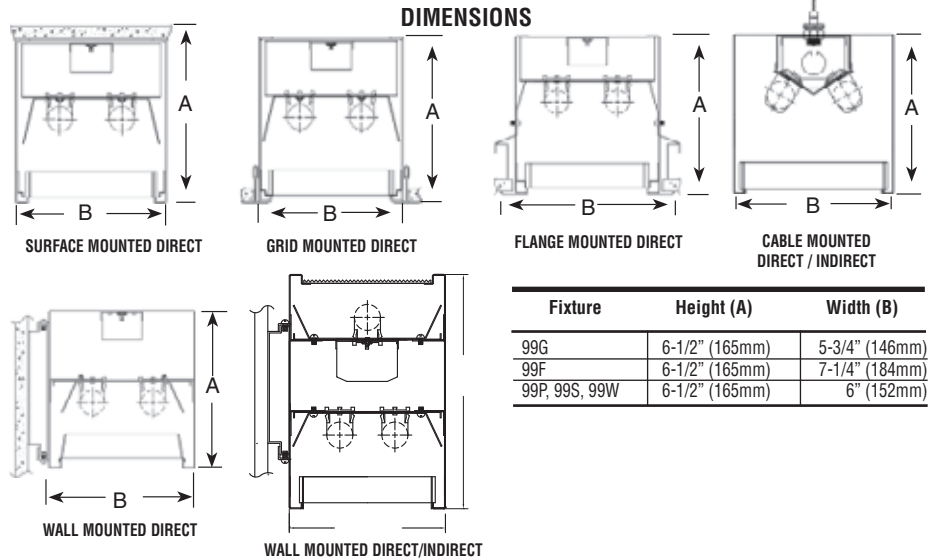
REFLECTOR - Die formed steel, white polyester powder coat finish. Specular reflector optionally available.

SHIELDING - 1" high x 1" on center cross baffle. White polyester powder coated finish standard. Optional shielding available.

BALLAST - Solid state electronic, 120V thru 277V.

SOCKET - Polycarbonate locking socket.

LAMPS - T5 or T8 lamps (by others).



LUMINAIRE ORDERING INFORMATION

TYPICAL ORDER EXAMPLE: **99 D F 2 WCB 1 32 SS010 MWS F UE**

SHOP NOW >

Prefix	Distribution	Mounting	Length	Shielding	Lamps in Cross Section	Lamp Type	Ballasts	Reflector	Options	Voltage	Row Mounting Options
99	D - Direct	S - Surface G - Grid (Individual Units Only) F - Flanged W - Wall PMK - Pendant ¹ ACK4 - 4' Aircraft Cable ² ACK8 - 8' Aircraft Cable ²	2 - 2ft. 4 - 4ft. 8 - 8ft. Tandem	WCB - White Cross Baffle (Direct-down Only) SPN - 1/2"x1/2" Paracube Lens (Direct-down Only) SPV - 1-1/2" X 1-1/2" Paracube Lens (Direct-down Only) PL - 1-3/8" Deep Louver 2" O.C. (Direct-down Only) A125 - Acrylic .125 Lens O - Opal Acrylic	1 2	14 - 14W T5 17 - 17W T8 24 - 24W T5HO 28 - 28W T5 32 - 32W T8 54 - 54W T5HO BIAX not Available	SS010 - T8 Instant Start SSOD - T8 Dimming (Specify Type) SSOL - T8 Low Ballast Factor SSOHL - T8 High Ballast Factor SSOHLR - T8 Program Start High Ballast Factor SSOR - T8 Programmed Start SS5R - T5 Programmed Start SS5HO - T5 High Output	MWS - Specular Silver	CAN5 - Canopy for Non-Feed ACK ³ F - Fusing EM - Emergency Pack CEE - CEE Approved Components installed	120 - 120V 277 - 277V 347 - 347V UE - Universal Electronic (120-277V)	BOR - Beginning of Row EOR - End of Row INDIV - Individual Unit INTMD - Intermediate (middle of row)
	DI - Direct / Indirect	PMK - Pendant ¹ ACK4 - 4' Aircraft Cable ² ACK8 - 8' Aircraft Cable ²									
	UD - Uplight / Downlight	W - Wall		WCB - White Cross Baffle (Direct-down Only) A125 - Acrylic .125 Lens O - Opal Acrylic	1/1-1U/1D 1/2-1U/2D 2/1-2U/1D						

FOOTNOTES:

- 1- Specify pendant length in inches (example pmk-18= 18" stem length)
- 2- Includes 5" canopy for feed
- 3- Canopy for nonfeed ack kits



Project Name _____ Fixture Type _____
 Catalog # _____