

# 99 ROW MTG ACK PMK INSTALLATION AND ASSEMBLY INSTRUCTIONS

**WARNING:** Before proceeding, read all instructions carefully to insure proper and safe installation.

**WARNING:** Risk of fire or electrical shock. Disconnect power before installing or servicing.

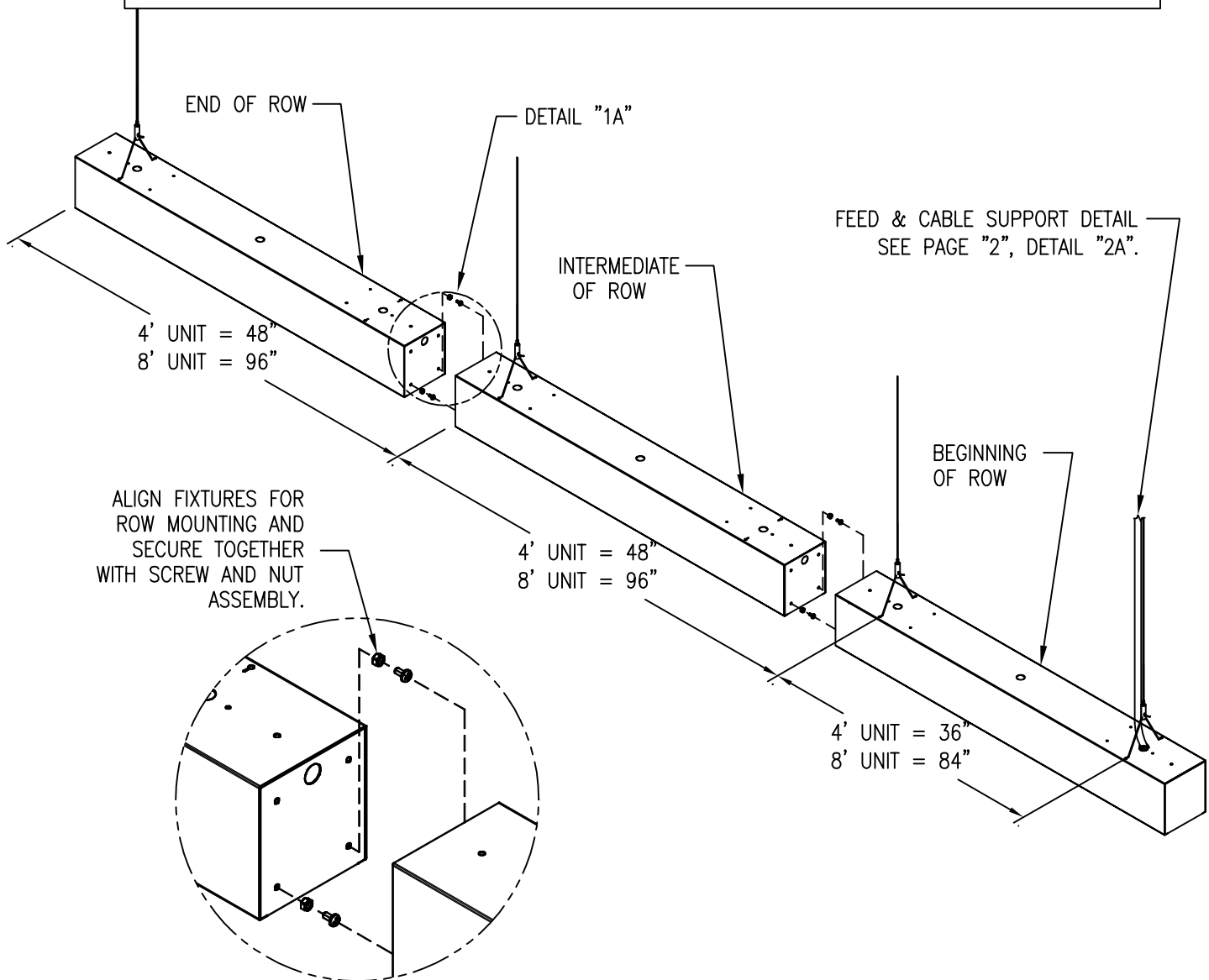
**WARNING:** Risk of electrical shock. High temperatures inside luminaire. Make certain line voltage corresponds with ballast's primary voltage. (See ballast label).

**WARNING:** All wiring to be performed per National Electrical Code and local code by a qualified electrician.

**IMPORTANT -** When lamping, always wear eye protection. Make sure area below fixture is clear.

**Note:** If lamp is installed dirty, operating hours and performance will significantly decrease.

**IMPORTANT:** Not every unit is identical! Placement of proper luminaire section (by length, emergency option, etc.) within each row is important. Refer to layout drawing to verify row identification, product location, and feed points!



## DETAIL "1A"



LSI INDUSTRIES INC.  
10000 Alliance Road  
Cincinnati, Ohio 45242  
(513)793-3200 Fax (513)793-0147  
www.lsi-industries.com

A Company with a Smart Vision

Installation Questions?  
Call LSI Field Service Department at:  
1-800-436-7800 Ext. 3300 Fax 877-861-1368

# 99 ROW MTG ACK PMK INSTALLATION AND ASSEMBLY INSTRUCTIONS

**WARNING:** Before proceeding, read all instructions carefully to insure proper and safe installation.

**WARNING:** Risk of fire or electrical shock. Disconnect power before installing or servicing.

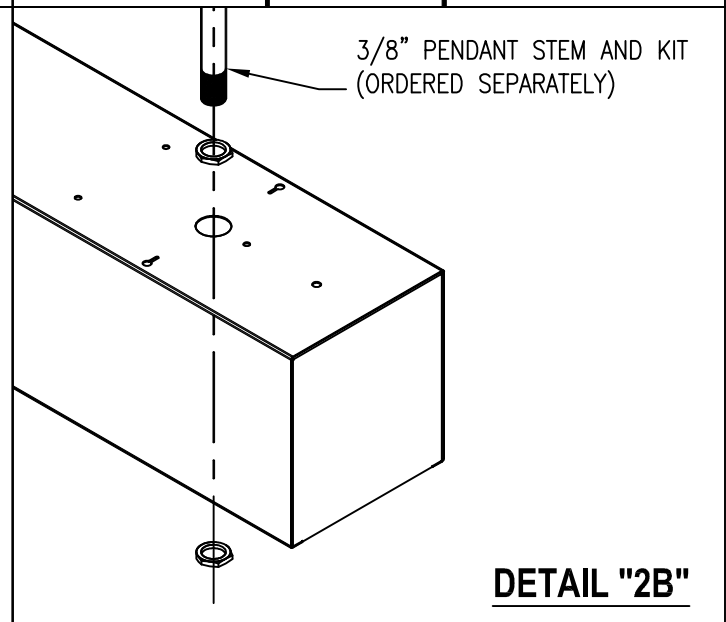
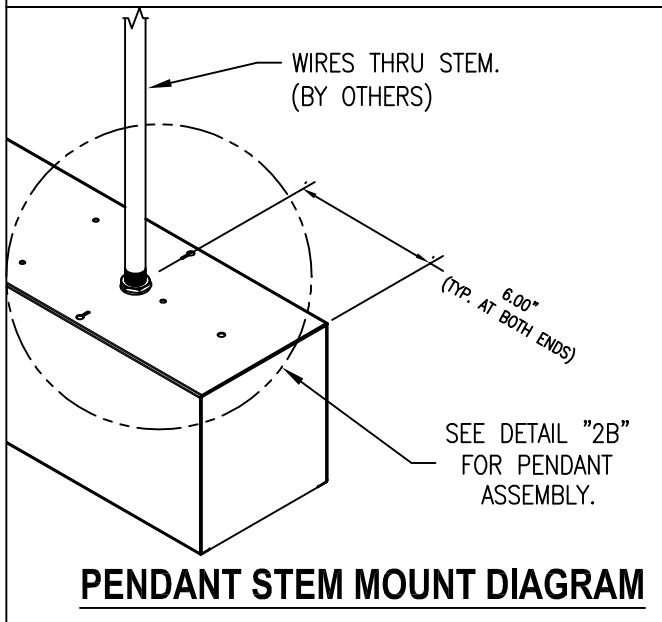
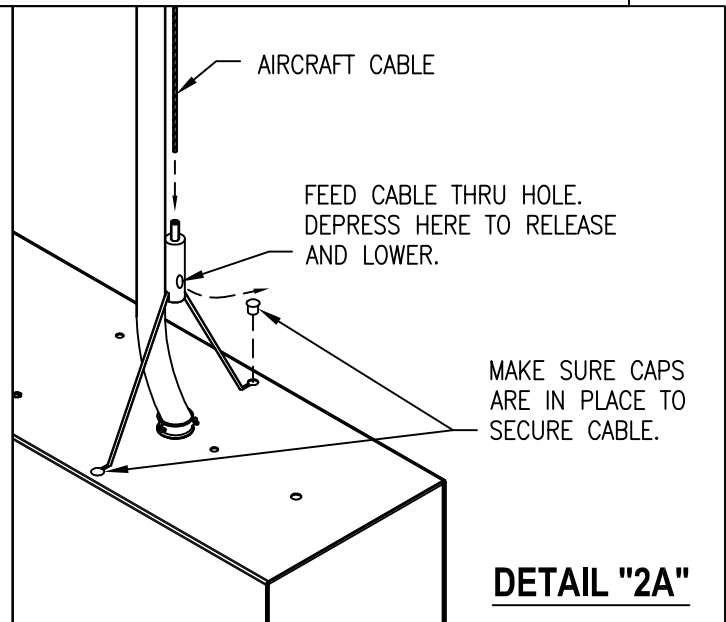
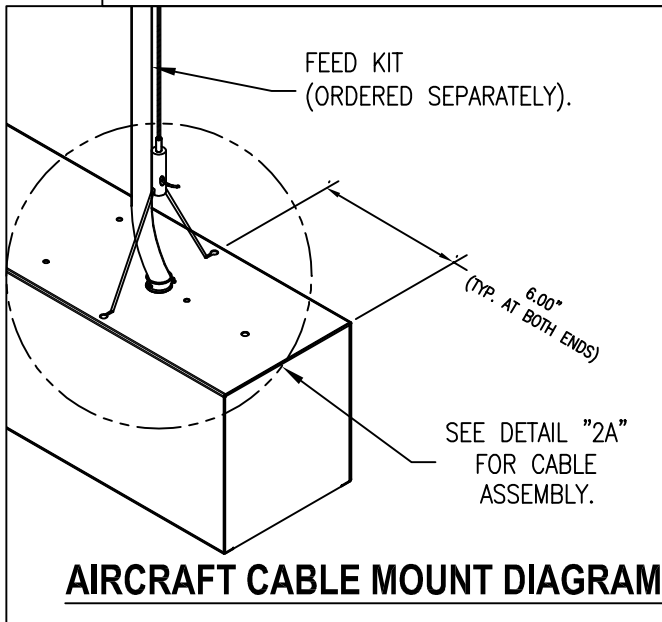
**WARNING:** Risk of electrical shock. High temperatures inside luminaire. Make certain line voltage corresponds with ballast's primary voltage. (See ballast label).

**WARNING:** All wiring to be performed per National Electrical Code and local code by a qualified electrician.

**IMPORTANT -** When lamping, always wear eye protection. Make sure area below fixture is clear.

**Note:** If lamp is installed dirty, operating hours and performance will significantly decrease.

**IMPORTANT:** Not every unit is identical! Placement of proper luminaire section (by length, emergency option, etc.) within each row is important. Refer to layout drawing to verify row identification, product location, and feed points!



LSI INDUSTRIES INC.  
10000 Alliance Road  
Cincinnati, Ohio 45242  
(513)793-3200 Fax (513)793-0147  
www.lsi-industries.com

A Company with a *Smart Vision*

**Installation Questions?**  
Call LSI Field Service Department at:  
1-800-436-7800 Ext. 3300 Fax 877-861-1368