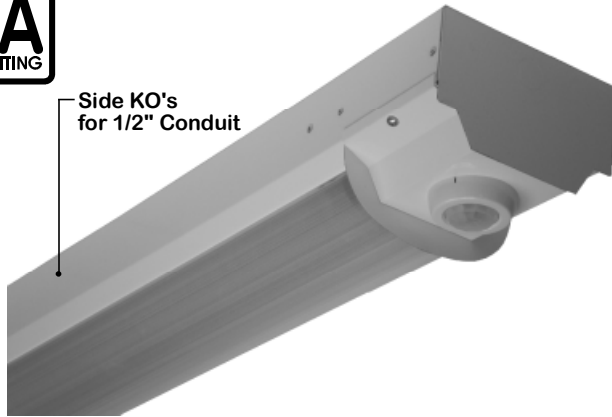


WRAPAROUND- LED

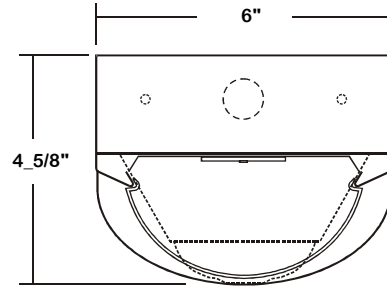


Side KO's for 1/2" Conduit



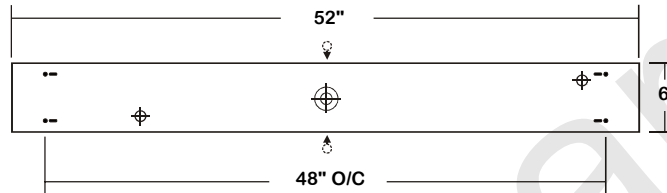
3-WSE251 SERIES

CROSS SECTION



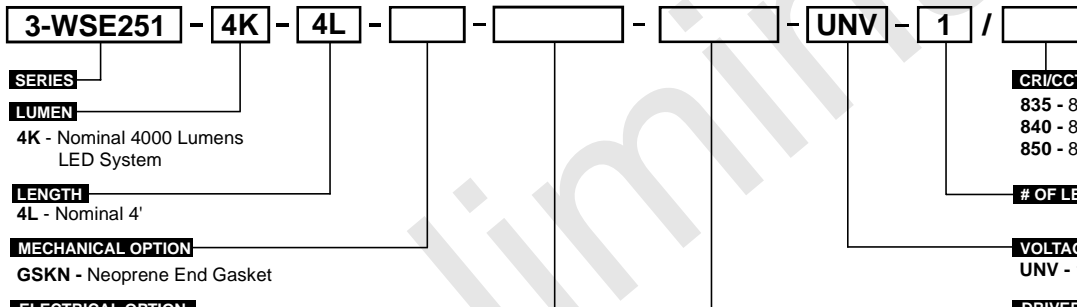
BACK PLATE

- V-HOOK
- ⊕ 7/8" OFFSET K.O.
- ⊕ 2" K.O.
- 7/8" K.O. ON SIDE OF HOUSING FOR 1/2" CONDUIT



ORDERING GUIDE

Example: 3-WSE251-4K-4L-MS2L2-1DRSDM-UNV-1/840



SERIES

LUMEN

4K - Nominal 4000 Lumens LED System

LENGTH

4L - Nominal 4'

MECHANICAL OPTION

GSKN - Neoprene End Gasket

ELECTRICAL OPTION

BP - Emergency Battery Pack

MSxxx - Motion Sensor.

See SENSOR CONFIGURATION below for details and complete sensor part number.

CRI/CCT

835 - 80+CRI / 3500K Color Temp.

840 - 80+CRI / 4000K Color Temp.

850 - 80+CRI / 5000K Color Temp.

OF LED ROW

VOLTAGE

UNV - 120V-277V

DRIVER INFO.

1DRDM - One 0-10V Dimming Driver

1DRSDM - One Step Dimming Driver

*See Appropriate Reference Page

SYSTEM DATA

Lumen Package	DIMMING		CRI / CCT	Delivered Lumens	System Watts	Luminaire Efficacy	Fluorescent Equivalent
4K	0-10V		840	3711 LM	34.7 W	106.9 LPW	2-F32T8
4K	STEP	Full Load	840	4475 LM	42.5 W	105.3 LPW	2-F32T8 @ Full Load
		Step-Dim		2373 LM	22.4 W	105.9 LPW	

Note: System data above is based on 120V input voltage.

SENSOR CONFIGURATION

MS 2 L2

L2 - Low mount 360° lens, 8' mounting height, Max. 48' diameter coverage.

L3 - High mount 360° lens, 20' mounting height, Max. 40' diameter coverage.

1 - On/Off

2 - Step Dimming

Motion Sensor

SPECIFICATIONS

- TYPE
- CONSTRUCTION
- FINISH
- OPTICS
- LED SYSTEM
- WIRING
- WARRANTY
- LABELS

LED sensor controlled parking structure luminaire.
 Aluminum housing with riveted end plates.
 Baked white polyester finish, minimum reflectance 90%.
 4' snap-on radial clear acrylic ribbed lens, end neoprene gasket available. Two lenses per 8' fixture.
 High efficiency drivers coupled with long-life LEDs, service life greater than 60,000 hours (L70).
 Universal voltage 120v thru 277v.
 5-Year Limited Warranty.
 Suitable for damp locations.

