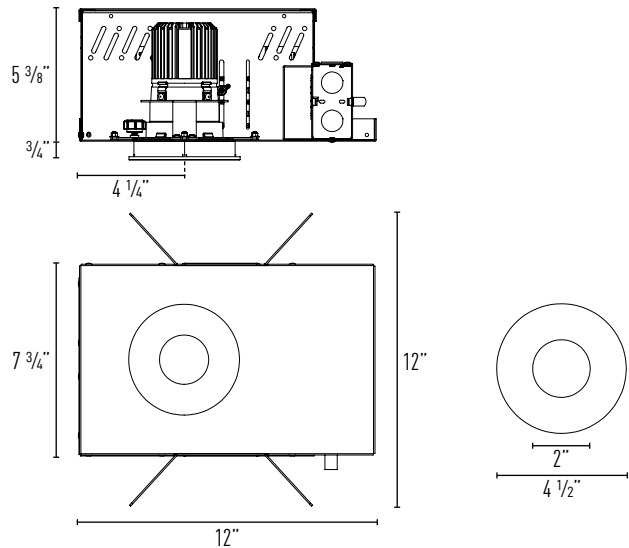


MX MXDRTR / MXT-RTRD306

MX LED Pinhole



Ceiling Cut Out: 4 1/8"

Catalog Number	System Wattage ¹	CCT / CRI ²	Delivered Lumens ¹	Lumens Per Watt
MXT-RTRD306L030	10W	3000K / 82 CRI	800lm	80
MXT-RTRD306L130	15W	3000K / 82 CRI	1100lm	73

¹ System Wattage include driver and LED Module consumption.

² CCT / CRI Multipliers

2700K / 82 CRI (x0.92), 2700K / 92 CRI (x0.74), 3000K / 82 CRI (x1.0), 3000K / 92 CRI (x0.8), 3500K / 82 CRI (x1.07), 4100K / 82 CRI (x1.08), Crisp White 3000K (x0.85), Class A 3500K (x0.96)

LED LIGHT ENGINE

- 2700K, 3000K, 3500K and 4100K / 82 CRI
- Class A - 3500K, combined GAI and CRI metric
- Crisp White - 3000K, vibrant whites and naturally saturated, warm colors
- 2700K and 3000K / 92 CRI (R9 Value = 59)
- 2 Step MacAdam (2 SDMC)
- LED mounted to die-cast / extruded aluminum heat sink
- 50,000 hours average rated life at 70% output

ELECTRICAL SYSTEM

- Power factor >.9, 50/60Hz
- Multiple dimming drivers available
- This product complies with IEEE C62.41 for surge endurance up to 2.5KV. Additional surge protection recommended. Damage from power surge is not covered by warranty.

HOUSING

Heavy duty black powder coated 18 gauge steel frame. Standard plaster frame accommodates 5/8" ceiling thickness, consult factory for thicker ceilings.

TRIM SPECIFICATION

High quality trims are die-cast using A380 aluminum and finished with durable powder coat available in black or white, black interior standard.

INSTALLATION

Housing types include IC Air-Tight, CCEA (Chicago Plenum), or Non-IC Rated (must specify). Non-IC rated housings must be kept at a minimum of 3" away from insulation. Butterfly brackets and adjustable hanger bars (14"-25") with integral nail included. Butterfly brackets are compatible with C-channel, flat bar hanger and EMT. C-channel is recommended for T-bar ceilings. Bar hangers must be ordered separately. Max. ambient temperature: 131°F (55°C).

EMERGENCY BACKUP

Remote test switch included. Emergency driver operates LED load of up to 7.0 Watts at a nominal 450 lumens for a minimum of 90 minutes.

LISTING / WARRANTY

- 10 Year Intense LED Limited Warranty
- ETL listed to US and Canadian standards for damp locations
- (-AIC Only) Air Tight Certified ASTM E283
- (-AIC Only) ETL listed for direct contact w/ insulation
- (-CP Only) CCEA Chicago Plenum

JOB NAME		CATALOG NUMBER	
NOTES		TYPE	



Trim Specification:

Example: MXT-RTRD306WL13012

SERIES
Round Pinhole **MXT-RTRD306**

FINISH
Black **B¹**
White **W¹**

WATTAGE
10 Watts **L0**
15 Watts **L1**

CCT / CRI
2700K / 82 CRI **27**
2700K / 92 CRI **279**
3000K / 82 CRI **30**
3000K / 92 CRI **309**
3500K / 82 CRI **35**
4100K / 82 CRI **41**
Class A 3500K **CA35**
Crisp White 3000K **CW30**

OPTIC
12° Spot **12**
24° Narrow Flood **24**
36° Flood **36**
50° Wide Flood **50**

Accessories:

Luminaire will accommodate a maximum of (2) accessories, accessory holder required

ACCESSORY HOLDER
Accessory Holder, Black **LH47**
Accessory Holder, White **LH47W**

FILTER MEDIA
Prismatic Spread Lens **PFL1-47**
Linear Spread Lens **PFL2-47**
Solite Soft Focus **PFL4-47**
Black Hex Louver **PFLMB-47**

Housing Specification:

Example: MXDRTR-ICL1

SERIES
Non-IC LED **MXDRTR-NC**
Air Tight IC LED **MXDRTR-IC**
CCEA LED **MXDRTR-CP**

WATTAGE
10 Watts **L0**
15 Watts **L1**

DIMMING
Non-Dimming blank
ELV Dimming **DELV²**
0-10V Dimming 10% **D10**
eldoLED 0-10V 1% **ED10V1**
eldoLED 0-10V 0.1% **ED10V01**
Lutron Hi-Lume® 1% **LUT1**
Lutron EcoSystem® 1% **LUT**
eldoLED DALI 1% **EDALI1**
eldoLED DALI 0.1% **EDALI01**

VOLTAGE
120V blank
277V **27**

ACCESSORIES
Emergency Backup **-EM³**
C-Channel Bar Hangers **-I100**
Flat Bar Hangers **-I200**
Wood Joist Bar Hangers **-I400**

Notes:

1. Special order finishes available, consult factory
2. Available in 120V only
3. Access above ceiling required



JOB NAME		CATALOG NUMBER	
NOTES		TYPE	

MXDRTRLO / MXT-RTRD306LO

Report #: L041500702 (12)
L051500704 (24)
L051500706 (36)

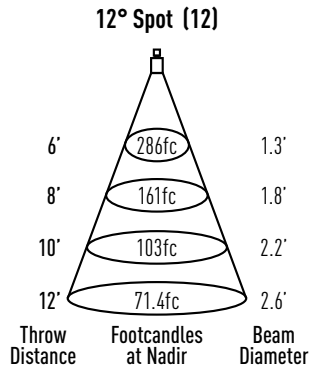
CCT / CRI Multipliers:

2700K / 82 CRI (x 0.92)
2700K / 92 CRI (x 0.74)
3000K / 82 CRI (x 1.00)
3000K / 92 CRI (x 0.8)
3500K / 82 CRI (x 1.07)
4100K / 82 CRI (x 1.08)

Crisp White 3000K / 90 CRI (x0.85)*

Class A 3500K / 90 CRI (x0.96)*

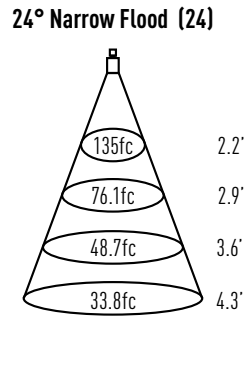
* Lumens only, see IES file for candelas



Watts: 10.7
Lumens: 696
LPW: 65
CCT: 3000K

Candelas at Nadir

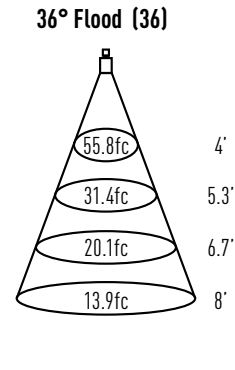
Degree	CBCP
0°	10286
5°	6498
15°	446
25°	68
35°	14
45°	4



Watts: 10.7
Lumens: 696
LPW: 65
CCT: 3000K

Candelas at Nadir

Degree	CBCP
0°	4872
5°	4203
15°	954
25°	75
35°	11
45°	5



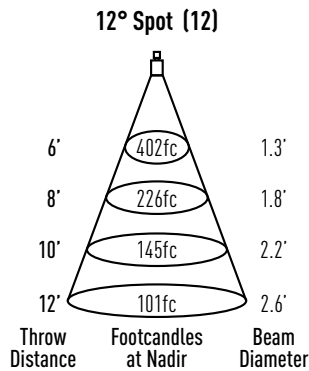
Watts: 10.7
Lumens: 804
LPW: 75
CCT: 3000K

Candelas at Nadir

Degree	CBCP
0°	2007
5°	1950
15°	1350
25°	406
35°	71
45°	5

MXDRTRL1 / MXT-RTRD306L1

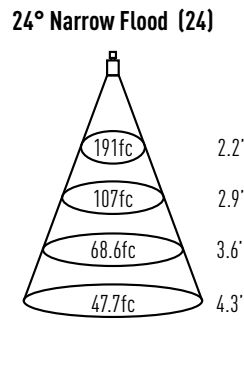
Report #: L041500702 (12)
L051500704 (24)
L051500706 (36)



Watts: 15.1
Lumens: 980
LPW: 65
CCT: 3000K

Candelas at Nadir

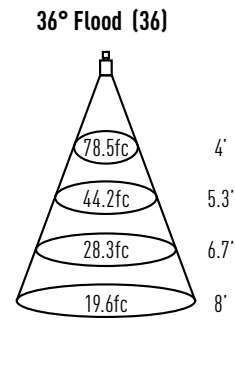
Degree	CBCP
0°	14488
5°	9152
15°	628
25°	96
35°	20
45°	6



Watts: 15.1
Lumens: 980
LPW: 65
CCT: 3000K

Candelas at Nadir

Degree	CBCP
0°	6862
5°	5920
15°	1343
25°	105
35°	15
45°	7



Watts: 15.2
Lumens: 1132
LPW: 75
CCT: 3000K

Candelas at Nadir

Degree	CBCP
0°	2827
5°	2746
15°	1902
25°	572
35°	100
45°	8

DIMMING COMPATIBILITY

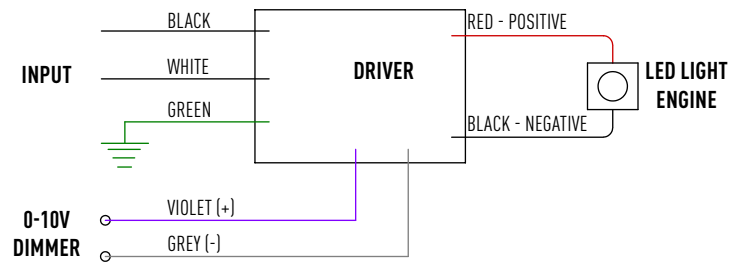
JOB NAME		CATALOG NUMBER	
NOTES		TYPE	

0-10V DIMMING (10% Dimming, eldoLED 1%, eldoLED 0.1%)

- 120V/277V
- Dims down to 10% light output
- Consult dimming manufacturer for installation instructions and power packs

COMPATIBLE DIMMERS

Manufacturer	Part Number(s)
HUNT	PS-010-IV-120V, PS-010-WH-120V, PS-010-3W-IV-120, PS-010-3W-WH-120V, PS-010-IV-277V, PS-010-WH-277V, PS-010-3W-IV-277V, PS-010-3W-WH-277V, FD-010: PS-IFC-010-IV, PS-IFC-010-WH-120/277V, FD-010: PS-IFC-010-3W-IV, PS-IFC-010-3W-WH-120/277V, FD-010-120V, FD-010-277V
Leviton	Leviton Centura Fluorescent Control System, IllumaTech™ IP7 Series, DPSPE-212
Lightolier	ZP600FAM120, MP1500FAM120, V2000FAMU
Lithonia	LEQ BC, LEQ LVBC, SLD LVBC, SQ1DC
Lutron	DVTV, NTFTV
Synergy	ISD BC 120/277

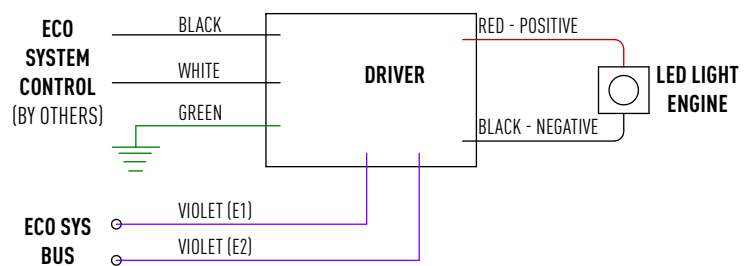


LUTRON ECOSYSTEM® DIMMING

- 120V or 277V
- Dims down to less than 1% or 5% light output
- Consult dimming manufacturer for installation instructions

COMPATIBLE DIMMERS

Product	Part Number(s)
EcoSystem	CS-1L-WM, CS-2L-WM, CS-1L-CM, CS-2L-CM, EcoSystem ESN, Grafik Eye QS with EcoSystem, Quantum



LUTRON HI-LUME® DIMMING

- 120V or 277V
- Dims down to less than 1% light output
- Consult dimming manufacturer for installation instructions

COMPATIBLE DIMMERS

Product	Part Number(s)
NovaT	NTF-10, NTF-103P, NTF-103P-277, NTF-10-277
Nova	NF-10, NF-103P, NF-103P-277, NF-10-277
Vareo	VF-10
Skylark	SF-10P, SF-12P-277, SF-12P-277-3, SF-103P
Diva	DVF-103, DVF-103P-277, DVSCF-103P, DVSCF-103P-277
Ariadni	AYF-103P, AYF-103P-277
Vierti	VTF-6AM
Maestro	MAF-6AM, MAF-6AM-277, MSCF-6AM, MCSF-6AM-277
Maestro Wireless	MRF2-F6AN-DV
Spacer System	SPSF-6A, SPSF-6A-277, SPSF-6AM, SPSF-6AM-277
Lyneo	LXF-103PL, LXF-103PL-277
Radio RA 2	RRD-F6AN-DV
HomeWorks QS	HQRD-F6AN-DV

