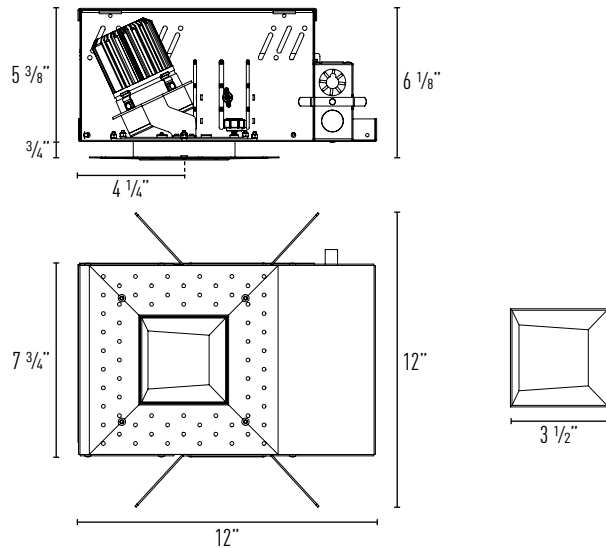


MX MXWSTL / MXT-STLW300

MX LED Square Trimless Wall Wash



Ceiling Cut Out: 4 1/8" x 4 1/8"

Catalog Number	System Wattage ¹	CCT / CRI ²	Delivered Lumens ¹	Lumens Per Watt
MXT-STLW300BL030	10W	3000K / 82 CRI	384lm	39
MXT-STLW300BL130	15W	3000K / 82 CRI	597lm	39

¹ System Wattage include driver and LED Module consumption.

² CCT / CRI Multipliers

2700K / 82 CRI (x0.92), 2700K / 92 CRI (x0.74), 3000K / 82 CRI (x1.0), 3000K / 92 CRI (x0.8), 3500K / 82 CRI (x1.07), 4100K / 82 CRI (x1.08), Crisp White 3000K (x0.85), Class A 3500K (x0.96)

LED LIGHT ENGINE

- 2700K, 3000K, 3500K and 4100K / 82 CRI
- Class A - 3500K, combined GAI and CRI metric
- Crisp White - 3000K, vibrant whites and naturally saturated, warm colors
- 2700K and 3000K / 92 CRI (R9 Value = 59)
- 2 Step MacAdam (2 SDMC)
- LED mounted to die-cast / extruded aluminum heat sink
- 50,000 hours average rated life at 70% output

ELECTRICAL SYSTEM

- Power factor >.9, 50/60Hz
- Multiple dimming drivers available
- This product complies with IEEE C62.41 for surge endurance up to 2.5KV. Additional surge protection recommended. Damage from power surge is not covered by warranty.

HOUSING

Heavy duty black powder coated 18 gauge steel frame. Standard plaster frame accommodates 5/8" ceiling thickness, consult factory for thicker ceilings.

TRIM SPECIFICATION

High performance wall wash with asymmetric distribution provides uniform vertical illumination (see spacing criteria on next page). Durably constructed with die-cast A380 aluminum and powder coat finish. Perforated mesh frame provided, adheres to joint compound for seamless and trimless mounting.

INSTALLATION

Housing types include IC Air-Tight, CCEA (Chicago Plenum), or Non-IC Rated (must specify). Non-IC rated housings must be kept at a minimum of 3" away from insulation. Butterfly brackets and adjustable hanger bars (14"-25") with integral nail included. Butterfly brackets are compatible with flat bar hanger and EMT. Bar hangers must be ordered separately. Max. ambient temperature: 131°F (55°C).

EMERGENCY BACKUP

Remote test switch included. Emergency driver operates LED load of up to 7.0 Watts at a nominal 450 lumens for a minimum of 90 minutes.

LISTING / WARRANTY

- 10 Year Intense LED Limited Warranty
- ETL listed to US and Canadian standards for damp locations
- (-AIC Only) Air Tight Certified ASTM E283
- (-AIC Only) ETL listed for direct contact w/ insulation
- (-CP Only) CCEA Chicago Plenum

JOB NAME		CATALOG NUMBER	
NOTES		TYPE	



Trim Specification:

Example: MXT-STLW300WL130

SERIES	MXT-STLW300
Square Trimless Wall Wash	
REFLECTOR FINISH	
Black	B ¹
White	W ¹
WATTAGE	
10 Watts	L0
15 Watts	L1
CCT / CRI	
2700K / 82 CRI	27
2700K / 92 CRI	279
3000K / 82 CRI	30
3000K / 92 CRI	309
3500K / 82 CRI	35
4100K / 82 CRI	41
Class A 3500K	CA35
Crisp White 3000K	CW30

Housing Specification:

Example: MXWSTL-ICL1

SERIES	
Non-IC LED	MXWSTL-NC
Air Tight IC LED	MXWSTL-IC
CCEA LED	MXWSTL-CP
WATTAGE	
10 Watts	L0
15 Watts	L1
DIMMING	
Non-Dimming	blank
ELV Dimming	DELV ²
0-10V Dimming 10%	D10
eldoLED 0-10V 1%	ED10V1
eldoLED 0-10V 0.1%	ED10V01
Lutron Hi-Lume® 1%	LUT1
Lutron EcoSystem® 1%	LUT
eldoLED DALI 1%	EDALI1
eldoLED DALI 0.1%	EDALI01
VOLTAGE	
120V	blank
277V	27
ACCESSORIES	
Emergency Backup	-EM ³
Flat Bar Hangers	-I200
Wood Joist Bar Hangers	-I400

Notes:

1. Special order finishes available, consult factory
2. Available in 120V only
3. Access above ceiling required

TRACK L/M-072:15 P-7

Intense Lighting, LLC | 3340, E La Palma Ave. | Anaheim, CA 92806 | Phone: 1.800.961.5321 | Fax: 1.800.961.5322 | www.intenselighting.com

Note: Specifications and dimensions subject to change without notice.





JOB NAME		CATALOG NUMBER	
NOTES		TYPE	

MXWSTLLO / MXT-STLW300WL0

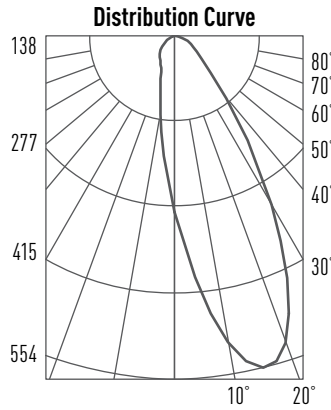
Report #: L051500718

Luminaire Watts: 9.8W
 Luminaire Lumens: 384lm
 Lumens Per Watt: 39
 Color Temperature: 3000K
 Color Rendering Index: 82

CCT / CRI Multipliers:

2700K / 82 CRI (x 0.92)
 2700K / 92 CRI (x 0.74)
 3000K / 82 CRI (x 1.00)
 3000K / 92 CRI (x 0.8)
 3500K / 82 CRI (x 1.07)
 4100K / 82 CRI (x 1.08)

Crisp White 3000K / 90 CRI (x0.85)*
 Class A 3500K / 90 CRI (x0.96)*
 * Lumens only, see IES file for candelas

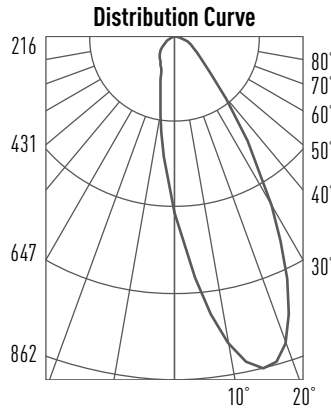


Distance From Ceiling	2' From Wall On 2' Centers	3' From Wall On 2' Centers	3' From Wall On 3' Centers
	<input type="checkbox"/> 2' <input type="checkbox"/>	<input type="checkbox"/> 2' <input type="checkbox"/>	<input type="checkbox"/> 3' <input type="checkbox"/>
1'	7 8 7	3 3 3	2 3 2
2'	10 11 10	4 5 4	4 4 4
3'	13 15 13	5 6 5	4 5 4
4'	12 14 12	7 7 7	6 6 6
5'	9 11 9	7 8 7	6 7 6
6'	7 7 7	6 7 6	5 6 5
7'	5 5 5	5 6 5	5 5 5
8'	3 4 3	4 5 4	4 4 4
9'	2 3 2	3 4 3	3 3 3
10'	2 2 2	3 3 3	2 3 2
11'	1 1 1	2 2 2	2 2 2
12'	1 1 1	2 2 2	2 2 2

MXWSTLL1 / MXT-STLW300WL1

Report #: L051500718

Luminaire Watts: 15.3W
 Luminaire Lumens: 597lm
 Lumens Per Watt: 39
 Color Temperature: 3000K
 Color Rendering Index: 82



Distance From Ceiling	2' From Wall On 2' Centers	3' From Wall On 2' Centers	3' From Wall On 3' Centers
	<input type="checkbox"/> 2' <input type="checkbox"/>	<input type="checkbox"/> 2' <input type="checkbox"/>	<input type="checkbox"/> 3' <input type="checkbox"/>
1'	12 12 12	4 5 4	4 4 4
2'	15 17 15	7 7 7	6 6 6
3'	20 23 20	8 9 8	7 8 7
4'	19 21 19	10 11 10	9 9 9
5'	15 16 15	11 12 11	9 10 9
6'	11 12 11	10 11 10	8 10 8
7'	7 8 7	8 9 8	7 8 7
8'	5 6 5	7 7 7	6 7 6
9'	4 4 4	5 6 5	5 5 5
10'	3 3 3	4 4 4	4 4 4
11'	2 2 2	3 3 3	3 3 3
12'	2 2 2	3 3 3	2 3 2

DIMMING COMPATIBILITY

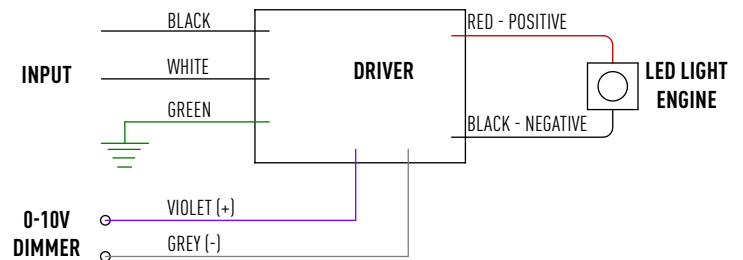
JOB NAME		CATALOG NUMBER	
NOTES		TYPE	

0-10V DIMMING (10% Dimming, eldoLED 1%, eldoLED 0.1%)

- 120V/277V
- Dims down to 10% light output
- Consult dimming manufacturer for installation instructions and power packs

COMPATIBLE DIMMERS

Manufacturer	Part Number(s)
HUNT	PS-010-IV-120V, PS-010-WH-120V, PS-010-3W-IV-120, PS-010-3W-WH-120V, PS-010-IV-277V, PS-010-WH-277V, PS-010-3W-IV-277V, PS-010-3W-WH-277V, FD-010: PS-IFC-010-IV, PS-IFC-010-WH-120/277V, FD-010: PS-IFC-010-3W-IV, PS-IFC-010-3W-WH-120/277V, FD-010-120V, FD-010-277V
Leviton	Leviton Centura Fluorescent Control System, IllumaTech™ IP7 Series, DPSPE-212
Lightolier	ZP600FAM120, MP1500FAM120, V2000FAMU
Lithonia	LEQ BC, LEQ LVBC, SLD LVBC, SQ1DC
Lutron	DVTV, NTFTV
Synergy	ISD BC 120/277

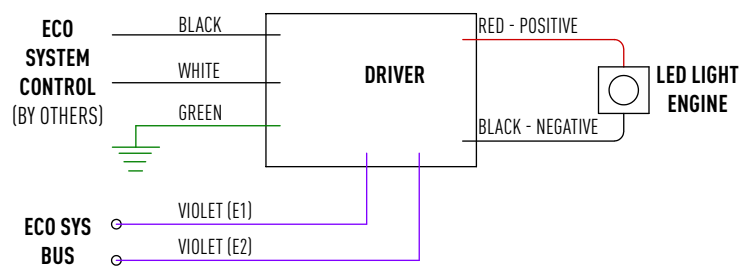


LUTRON ECOSYSTEM® DIMMING

- 120V or 277V
- Dims down to less than 1% or 5% light output
- Consult dimming manufacturer for installation instructions

COMPATIBLE DIMMERS

Product	Part Number(s)
EcoSystem	CS-1L-WM, CS-2L-WM, CS-1L-CM, CS-2L-CM, EcoSystem ESN, Grafik Eye QS with EcoSystem, Quantum



LUTRON HI-LUME® DIMMING

- 120V or 277V
- Dims down to less than 1% light output
- Consult dimming manufacturer for installation instructions

COMPATIBLE DIMMERS

Product	Part Number(s)
NovaT	NTF-10, NTF-103P, NTF-103P-277, NTF-10-277
Nova	NF-10, NF-103P, NF-103P-277, NF-10-277
Vareo	VF-10
Skylark	SF-10P, SF-12P-277, SF-12P-277-3, SF-103P
Diva	DVF-103, DVF-103P-277, DVSCF-103P, DVSCF-103P-277
Ariadni	AYF-103P, AYF-103P-277
Vierti	VTF-6AM
Maestro	MAF-6AM, MAF-6AM-277, MSCF-6AM, MCSF-6AM-277
Maestro Wireless	MRF2-F6AN-DV
Spacer System	SPSF-6A, SPSF-6A-277, SPSF-6AM, SPSF-6AM-277
Lyneo	LXF-103PL, LXF-103PL-277
Radio RA 2	RRD-F6AN-DV
HomeWorks QS	HQRD-F6AN-DV

