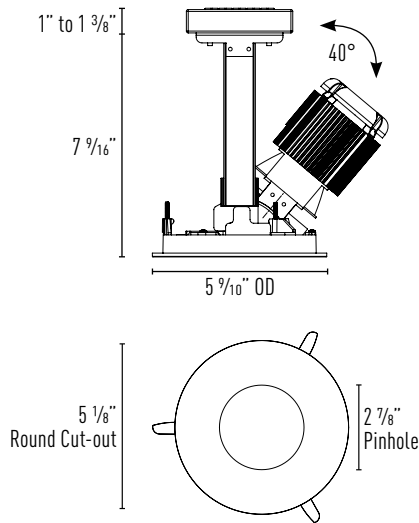




IL-INTL-ATR / RTRINTLA306

LED Adjustable Round Pinhole

JOB NAME		CATALOG NUMBER	
NOTES		TYPE	



Catalog Number	Delivered Lumens ¹	System Wattage ²
IL-INTL-ATR-L1	443 lm @ 3000K	13.2W
IL-INTL-ATR-L2	601 lm @ 3000K	19.4W
IL-INTL-ATR-L3	757 lm @ 3000K	27W
IL-INTL-ATR-L4	906 lm @ 3000K	31W

¹ Delivered lumens output will vary depending on CCT, CRI and optic selection.
² System Wattage include driver and LED Module consumption.

OPTICS

- 40° vertical adjustment
- Precise center beam optics
- Hot aiming from below finished ceiling line
- Locking vertical and horizontal aiming
- Accessory holder can hold up-to 2 media
- Available in 16° Spot or 24° Narrow Flood (Consult factory for 12° KO Spot)

LED LIGHT ENGINE

- 2700K, 3000K, 3500K and 4100K 82 CRI
- 2700K and 3000K 92 CRI (R9 Value = 59)
- 3 Step MacAdam (3 SDMC)
- LED mounted to die-cast / extruded aluminum heat sink w/ active cooling
- 50,000 hours average rated life at 70% output
- LED light engine, SynJet and driver are all accessible from below the ceiling

THERMAL MANAGEMENT

- L3 & L4 utilizes active thermal management with quiet and reliable operation noise rating below 22dBA. 100K hour lifetime.
- L1 & L2 utilizes passive cooling

ELECTRICAL SYSTEM

- Multi-volt 120V-277V
- Power factor >.9, 50/60Hz

TRIM SPECIFICATION

Architectural grade die-cast aluminum pinhole. Available in white or black finish, black interior standard. Includes spring loaded ball catchers for smooth and seamless mounting.

SURFACE™ SIMULATED NATURAL FINISHES

- Available in 12 standard wood grain powder coated finishes
- Consult factory

INSTALLATION

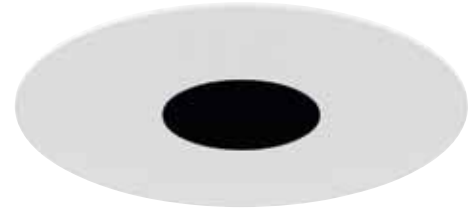
Die-cast swing out arms secure fixture to ceiling with integral screws.

ACCESSORIES

Integral accessory holder accommodates (2) diffusion or color filters. See accessory submittal sheet for options. Accessory holder included with luminaire.

LISTING / WARRANTY

10 Year Intense LED Limited Warranty
CE for indoor use only



Housing Specification:

Example: IL-INTL-ATR-L227D10V-16

SERIES
 International LED Adjustable Housing **IL-INTL-ATR**

LED LIGHT ENGINE
 13 Watts **L1**
 19 Watts **L2**
 27 Watts **L3**
 31 Watts **L4**

CCT / CRI
 2700K / 82 CRI **27**
 2700K / 92 CRI **279**
 3000K / 82 CRI **30**
 3000K / 92 CRI **309**
 3500K / 82 CRI **35**
 4100K / 82 CRI **41**

DIMMING
 Non-Dimming **blank**
 0-10V Dimming **D10V**
 Lutron Hi-Lume® 1% **LUT1**
 Lutron EcoSystem® **LUT**

OPTIC
 16° Spot **-16**
 24° Narrow Flood **-24**

Trim Specification:

Example: RTRINTLA306W

SERIES
 Round Pinhole **RTRINTLA306**

FINISH
 Black **B**
 White **W**
 Surface™¹ **SU**

Notes:

1. See Surface™ simulated natural finishes submittal sheet for specification.

