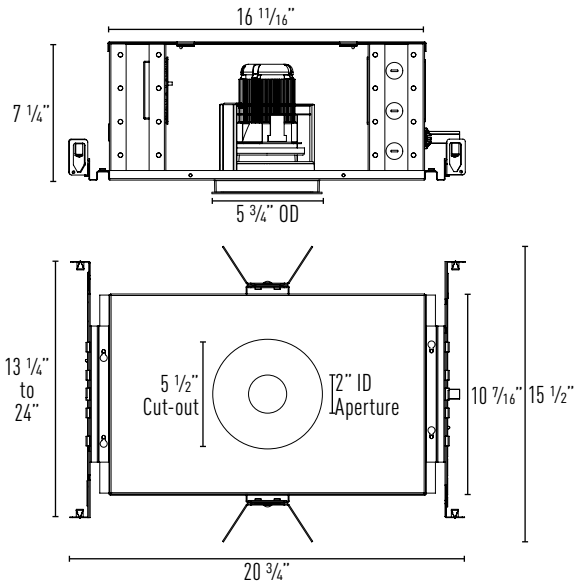




# IL-DRTR / RTRA306

LED Downlight Round Trim  
Pinhole



Catalog Number	Delivered Lumens <sup>1</sup>	System Wattage <sup>2</sup>
IL-DRTR-L1	443 lm @ 3000K	13.2W
IL-DRTR-L2	601 lm @ 3000K	19.4W
IL-DRTR-L3	757 lm @ 3000K	27W
IL-DRTR-L4	906 lm @ 3000K	31.1W

<sup>1</sup> Delivered lumens output will vary depending on CCT, CRI and optic selection.  
<sup>2</sup> System Wattage include driver and LED Module consumption.

### OPTICS

- Precise center beam optics
- Accessory holder can hold up-to 2 media

### LED LIGHT ENGINE

- 2700K, 3000K, 3500K and 4100K 82 CRI
- 2700K and 3000K 92 CRI (R9 Value = 59)
- 3 Step MacAdam (3 SDMC)
- LED mounted to die-cast / extruded aluminum heat sink w/ active cooling
- 50,000 hours average rated life at 70% output
- LED light engine, SynJet and driver are all accessible from below the ceiling

### THERMAL MANAGEMENT

- L3 & L4 utilizes active thermal management with quiet and reliable operation noise rating below 22dBA. 100K hour lifetime.
- L1 & L2 utilizes passive cooling

### ELECTRICAL SYSTEM

- Power factor >.9, 50/60Hz
- Multiple dimming drivers available
- This product complies with IEEE C62.41 for surge endurance up to 2.5KV. Additional surge protection recommended. Damage from power surge is not covered by warranty.

### HOUSING

Heavy duty black powder coated .18 gauge steel frame. Standard plaster frame accommodates 5/8" ceiling thickness. Specify -1 for ceiling thickness up to 1". Junction box and driver are located on opposite ends of the housing, with easy access for maintenance and installation.

### TRIM SPECIFICATION

Architectural grade die-cast aluminum pinhole. Available in white or black finish, black interior standard.

### SURFACE™ SIMULATED NATURAL FINISHES

- Available in 12 standard wood grain powder coated finishes
- Consult factory

### INSTALLATION

Housing types include IC Air-Tight, CCEA (Chicago Plenum), or Non-IC Rated (must specify). Non-IC rated housings must be kept at a minimum of 3" away from insulation. Butterfly brackets and adjustable hanger bars (14"-25") with integral nail included. Butterfly brackets are compatible with C-channel, flat bar hanger and EMT. C-channel is recommended for T-bar ceilings. C-Channel and flat bar hangers must be ordered separately.

### EMERGENCY BACKUP

Remote test switch included. Emergency driver operates LED load of up to 7.0 Watts at a nominal 450 lumens for a minimum of 90 minutes. See submittal sheet IB-BSL17C-C2 for specifications.

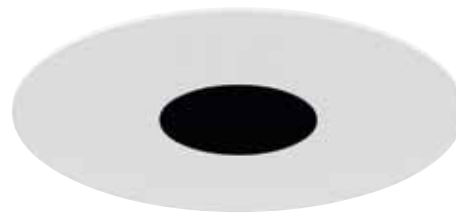
### ACCESSORIES

Integral accessory holder accommodates (2) diffusion or color filters. See accessory submittal sheet for options. Accessory holder included with luminaire.

### LISTING / WARRANTY

- 10 Year Intense LED Limited Warranty
- ETL listed to US and Canadian standards for damp locations
- (-AIC Only) Air Tight Certified ASTM E283
- (-AIC Only) ETL listed for direct contact w/ insulation
- (-CP Only) CCEA Chicago Plenum

JOB NAME		CATALOG NUMBER	
NOTES		TYPE	



### Housing Specification:

Example: IL-DRTR-NCL227D10V-16-EM

**SERIES**  
 Non-IC LED **IL-DRTR-NC**  
 Air Tight IC LED **IL-DRTR-AIC**  
 CCEA LED **IL-DRTR-CP**

**WATTAGE**  
 13 Watts **L1**  
 19 Watts **L2**  
 27 Watts **L3**  
 31 Watts **L4**

**CCT / CRI**  
 2700K / 82 CRI **27**  
 2700K / 92 CRI **279<sup>1</sup>**  
 3000K / 82 CRI **30**  
 3000K / 92 CRI **309<sup>1</sup>**  
 3500K / 82 CRI **35**  
 4100K / 82 CRI **41**

**DIMMING**  
 Non-Dimming blank  
 ELV Dimming **DELV<sup>2</sup>**  
 0-10V Dimming 10% **D10V**  
 eldoLED 0-10V 1% **ED10V1**  
 eldoLED 0-10V 0.1% **ED10V01**  
 Lutron Hi-Lume® 1% **LUT1**  
 Lutron EcoSystem® 1% **LUT**  
 Lutron EcoSystem® 5% **LUT5**  
 eldoLED DALI 1% **EDALI1**  
 eldoLED DALI 0.1% **EDALI01**

**VOLTAGE**  
 120V blank  
 277V **27**

**OPTIC**  
 16° Spot **-16**  
 24° Narrow Flood **-24**  
 37° Flood **-37**  
 60° Flood **-60**

**ACCESSORIES**  
 Plaster Frame up to 1" **-1**  
 Emergency Backup **-EM<sup>3</sup>**  
 C-Channel Bar Hangers **-I100**  
 Flat Bar Hangers **-I200**

### Trim Specification:

Example: RTRA306W

**SERIES**  
 Round Trimmed Pinhole **RTRA306**

**FINISH**  
 Black **B**  
 White **W**  
 Surface™ **SU<sup>4</sup>**

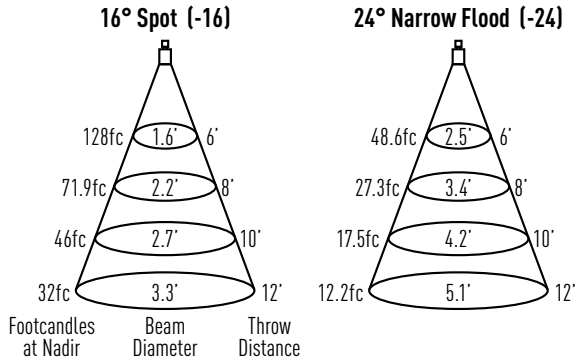
- Notes:
1. 97 CRI special order, consult factory
  2. Available in 120V only
  3. Access above ceiling required
  4. See Surface™ simulated natural finishes submittal sheet for specification



JOB NAME		CATALOG NUMBER	
NOTES		TYPE	

## IL-DRTR-L130 / RTRA306

Report #: L03136304 (-16)  
L03136306 (-24)



Watts: 13.17  
Lumens: 443.46  
LPW: 33.66

Candelas at Nadir

Degree	CBCP
0°	4602.43
5°	3486.57
15°	1561.96
25°	521.71
35°	74.15
45°	14.19

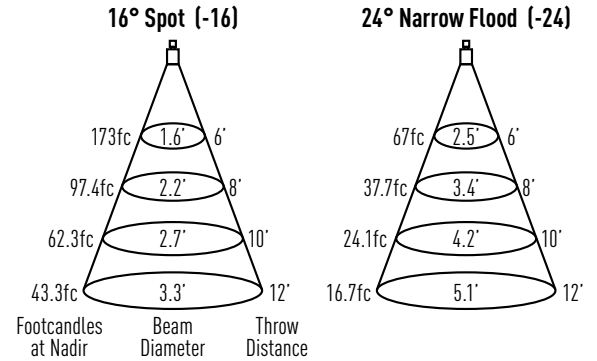
Watts: 12.79  
Lumens: 323.14  
LPW: 25.27

Candelas at Nadir

Degree	CBCP
0°	1749.71
5°	1642.29
15°	1207.13
25°	567.64
35°	102.56
45°	16.23

## IL-DRTR-L230 / RTRA306

Report #: L03136304 (-16)  
L03136306 (-24)



Watts: 19.36  
Lumens: 600.67  
LPW: 31.02

Candelas at Nadir

Degree	CBCP
0°	6234.03
5°	4722.59
15°	2115.69
25°	706.67
35°	100.43
45°	19.22

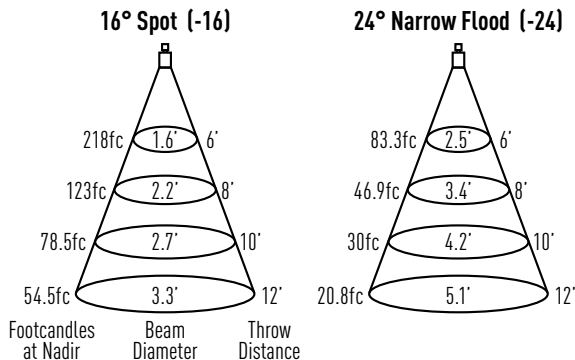
Watts: 18.7  
Lumens: 445.41  
LPW: 23.81

Candelas at Nadir

Degree	CBCP
0°	2411.72
5°	2263.66
15°	1663.86
25°	782.41
35°	141.37
45°	22.37

## IL-DRTR-L330 / RTRA306

Report #: L03136304 (-16)  
L03136306 (-24)



Watts: 27.03  
Lumens: 756.59  
LPW: 27.99

Candelas at Nadir

Degree	CBCP
0°	7852.3
5°	5948.51
15°	2664.89
25°	890.11
35°	126.5
45°	24.22

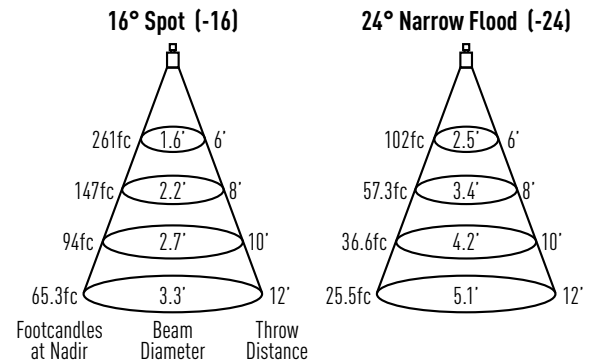
Watts: 26.06  
Lumens: 553.96  
LPW: 21.26

Candelas at Nadir

Degree	CBCP
0°	2999.49
5°	2815.35
15°	2069.36
25°	973.1
35°	175.82
45°	27.83

## IL-DRTR-L430 / RTRA306

Report #: L03136304 (-16)  
L03136306 (-24)



Watts: 31.07  
Lumens: 906.1  
LPW: 29.16

Candelas at Nadir

Degree	CBCP
0°	9404
5°	7124
15°	3192
25°	1066
35°	152
45°	29

Watts: 30.81  
Lumens: 676.87  
LPW: 21.97

Candelas at Nadir

Degree	CBCP
0°	3665
5°	3440
15°	2529
25°	1189
35°	215
45°	34

To determine lux: Divide FC by 0.0929030436 (Example: 42fc / 0.0929030436 = 452.08 lux)  
IMPRESSION LJM-2014-0918 P-11



# Impression Accessories

Downlight Trim Accessories

JOB NAME		CATALOG NUMBER	
NOTES		TYPE	

## Impression Accessories

Catalog Number	Description
----------------	-------------



### IMPRESSION DOWNLIGHT ACCESSORIES

PFL-CL1-S16	Prismatic Spread Lens
PFL-CL2-S16	Linear Spread Lens
PFL-CL4-S16	Solite Lens
PL-CL5-S16	Amber Lens
PL-CL6-S16	Red Lens
PL-CL9-S16	Blue Lens
PFLMB-16	Black Louver



# DIMMING COMPATIBILITY

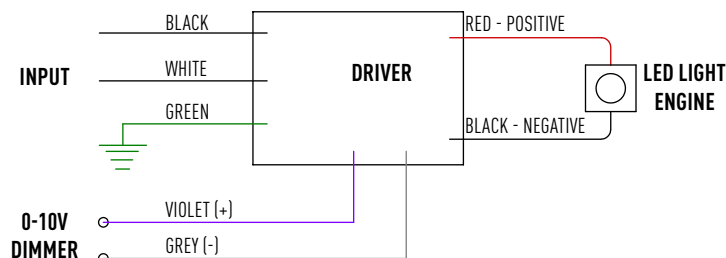
JOB NAME		CATALOG NUMBER	
NOTES		TYPE	

## 0-10V DIMMING (10% Dimming, eldoLED 1%, eldoLED 0.1%)

- 120V/277V
- Dims down to 10% light output
- Consult dimming manufacturer for installation instructions and power packs

### COMPATIBLE DIMMERS

Manufacturer	Part Number(s)
HUNT	PS-010-IV-120V, PS-010-WH-120V, PS-010-3W-IV-120, PS-010-3W-WH-120V, PS-010-IV-277V, PS-010-WH-277V, PS-010-3W-IV-277V, PS-010-3W-WH-277V, FD-010: PS-IFC-010-IV, PS-IFC-010-WH-120/277V, FD-010: PS-IFC-010-3W-IV, PS-IFC-010-3W-WH-120/277V, FD-010-120V, FD-010-277V
Leviton	Leviton Centura Fluorescent Control System, IllumaTech™ IP7 Series, DPSPE-212
Lightolier	ZP600FAM120, MP1500FAM120, V2000FAMU
Lithonia	LEQ BC, LEQ LVBC, SLD LVBC, SQ1DC
Lutron	DVTV, NTFTV
Synergy	ISD BC 120/277

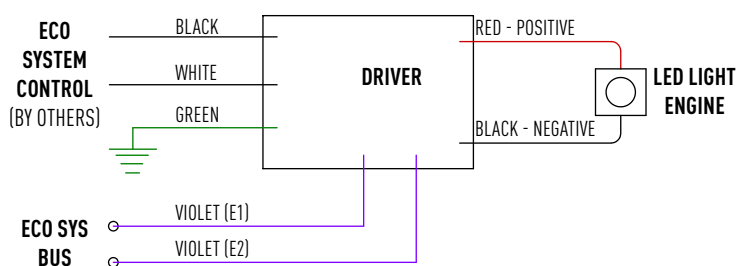


## LUTRON ECOSYSTEM® DIMMING

- 120V or 277V
- Dims down to less than 1% or 5% light output
- Consult dimming manufacturer for installation instructions

### COMPATIBLE DIMMERS

Product	Part Number(s)
EcoSystem	CS-1L-WM, CS-2L-WM, CS-1L-CM, CS-2L-CM, EcoSystem ESN, Grafik Eye QS with EcoSystem, Quantum



## LUTRON HI-LUME® DIMMING

- 120V or 277V
- Dims down to less than 1% light output
- Consult dimming manufacturer for installation instructions

### COMPATIBLE DIMMERS

Product	Part Number(s)
NovaT	NTF-10, NTF-103P, NTF-103P-277, NTF-10-277
Nova	NF-10, NF-103P, NF-103P-277, NF-10-277
Vareo	VF-10
Skylark	SF-10P, SF-12P-277, SF-12P-277-3, SF-103P
Diva	DVF-103, DVF-103P-277, DVSCF-103P, DVSCF-103P-277
Ariadni	AYF-103P, AYF-103P-277
Vierti	VTF-6AM
Maestro	MAF-6AM, MAF-6AM-277, MSCF-6AM, MCSF-6AM-277
Maestro Wireless	MRF2-F6AN-DV
Spacer System	SPSF-6A, SPSF-6A-277, SPSF-6AM, SPSF-6AM-277
Lyneo	LXF-103PL, LXF-103PL-277
Radio RA 2	RRD-F6AN-DV
HomeWorks QS	HQRD-F6AN-DV

