

PROJECT NAME:	
CATALOG NUMBER:	FIXTURE TYPE:
VOLTS/WATTS:	LAMPS/BOARD:



COMMERCIAL HIGH BAY - 150W LED

FEATURES

- Aluminum Body
- Tool-Less Hinged Bottom Ballast Access Door
- Frosted or Polycarbonate Lens Options
- Mil. Finish
- Riveted Construction and Vented Ballast Channel
- V-Clips for Dual Point Chain or Cable Hanging (Std)
- Multiple Dimming and Sensor Options to Fully Control Occupied and Unoccupied Light Levels
- 5000K Color Temp (Std)
- 5 Year Warranty
- ETL Damp Listed
- Universal 0-10V Dimmable Driver (Std)
- DesignLights Consortium® Qualified ⁽²⁾

REPLACES 400W MH



LED SYSTEM

Calculated L70 (TM-21)	>100K ⁽¹⁾
Delivered Lumens	17,472 lm
Total Input Watts	170 W
Luminaire Efficacy Rating (LER)	103 lm/W
Correlated Color Temperature (CCT)	5000 K
Color Rendering Index (CRI)	> 80
Max Ambient Temp	130° F ⁽³⁾
Universal Driver	120-277 V

SUITABLE APPLICATIONS

- Warehouse
- Distribution
- Manufacturing Plant
- Gymnasium

LED System data above based on CHB-150WLED-UNIV-5000K

⁽¹⁾ LED Lumen Maintenance Estimates based on TM-21 projections for the light source at 25° C ambient

⁽²⁾ Specific Configurations Listed on DLC. ⁽³⁾ Max ambient temp applies to standard driver installed.



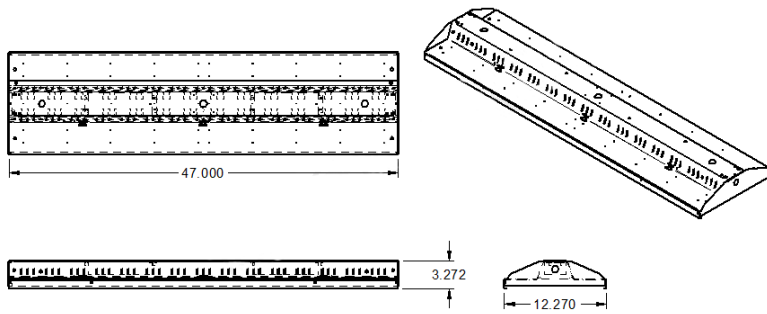
ORDERING GUIDE:

CHB	100WLED	UNIV	5000K	eg: CORDx
Series	LED	Driver	Color	Options

<input type="checkbox"/> CHB	High Bay 4ft	<input type="checkbox"/> 150WLED	<input type="checkbox"/> UNIV	120-277 Driver	<input type="checkbox"/> 4000K	<input type="checkbox"/> 5000K	<input type="checkbox"/> FRL <input type="checkbox"/> PCL <input type="checkbox"/> FIOS <input type="checkbox"/> FIOSPC <input type="checkbox"/> USDC <input type="checkbox"/> USBD <input type="checkbox"/> BDxx <input type="checkbox"/> BDxxPC <input type="checkbox"/> DHPC <input type="checkbox"/> PC <input type="checkbox"/> SD480** <input type="checkbox"/> LEDBB <input type="checkbox"/> CLD <input type="checkbox"/> CORDx <input type="checkbox"/> QDCx <input type="checkbox"/> HB-XX-18Y-PAD <input type="checkbox"/> WC	Frosted Acrylic Lens Polycarbonate Lens .125" On/Off Occupancy Sensor Installed On/Off Occupancy Sensor w/ Photocell User Selectable Dimming Control User Select Bi-level Dim w/ Occ. Sensor Preset Bi-level Dim Sensor (xx=% eg. 20,30) Preset Bi-level Dim Sensor w/ Photocell Daylight Harvesting Photocell 480V Step Down Transformer LED Battery Backup (may reduce max ambient) For Below 0°C/32°F Environment Cord (x = ft) Quick Disconnect Cord (x = ft) Y-Toggle Cable System (XX = in) 11 Ga Wire Cage
------------------------------	--------------	----------------------------------	-------------------------------	----------------	--------------------------------	--------------------------------	--	---

**All 347V applications please contact factory for pricing

COMMERCIAL HIGH BAY - 150W LED



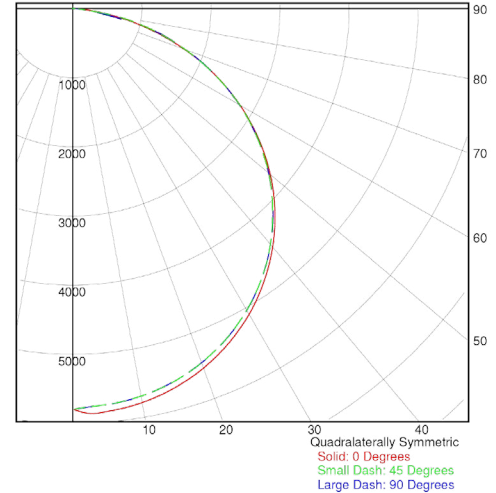
CHB-150WLED-UNIV-5000K

LUMINAIRE OUTPUT = 17305 LM
120.0V 1.424A 169.2W PF=0.990

SUMMARY DATA

HEMISPHERES TESTED:	Lower
EFFICIENCY (Total):	100.0%
EFFICIENCY (Downlight):	100.0%
EFFICIENCY (Uplight):	0.0%
CIE CLASSIFICATION:	DIRECT
SPACING CRITERION: (0-Deg):	1.31
SPACING CRITERION: (90-Deg):	1.29
LUMENS/LAMP:	17319.66
NO. OF LAMPS:	1
LUMINOUS OPENING: RECTANGULAR:	
Width:	0.98 (Feet)
Length:	3.92
Height:	0.00
INPUT WATTS:	169.2

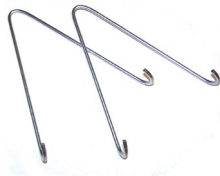
PLANE AND CONE DIAGRAM



Photometric values based upon tests performed in compliance with LM-79. IES files can be downloaded at www.ilp-inc.com

MOUNTING OPTIONS

- **V-Clips** for dual point chain or cable hanging (standard)
- **Y-Toggle Cable Kit** - Includes 2 adjustable cable hangers
- **SMBKIT** for surface mounting with 2" space above fixture
- **Fixture Mounting Box (FMB)** - Includes rigid box to attach to the fixture, provides for single point mounting to accept a pendant, hook, or conduit hub (sold separately).



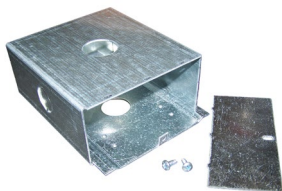
V-Clips



HB-XX-PAD



SMBKIT



FMB



HUB 3/4
CONDUIT



HOOK

Industrial Lighting Products

A Program of the U.S. DOE

Light Output (Lumens)	17472
Watts	170.1
Lumens per Watt (Efficacy)	102.72

Color Accuracy Color Rendering Index (CRI)	84
--	-----------

Light Color
Correlated Color Temperature (CCT)

5000 (Daylight)

↓

Warm White
Bright White
Daylight

2700K
3000K
4500K
6500K

All results are according to IESNA LM-79-2008: *Approved Method for the Electrical and Photometric Testing of Solid-State Lighting*. The U.S. Department of Energy (DOE) verifies product test data and results.

Visit www.lightingfacts.com for the Label Reference Guide.

Registration Number: -75B78A (10/9/2014)
Model Number: CHB-150WLED-UNIV-5000K
Type: Luminaire - Industrial