

PROJECT NAME:	
CATALOG NUMBER:	FIXTURE TYPE:
VOLTS/WATTS:	LAMPS/BOARD:



COMMERCIAL HIGH BAY - 190W LED

FEATURES

- Aluminum Body
- Tool-Less Hinged Bottom Ballast Access Door
- Frosted or Polycarbonate Lens Options
- Mil. Finish
- Riveted Construction and Vented Ballast Channel
- V-Clips for Dual Point Chain or Cable Hanging (Std)
- Multiple Dimming and Sensor Options to Fully Control Occupied and Unoccupied Light Levels
- 5000K Color Temp (Std)
- 5 Year Warranty
- ETL Damp Listed
- Universal 0-10V Dimmable Driver (Std)

REPLACES 400W MH



LED SYSTEM

Calculated L70 (TM-21)	>100K ⁽¹⁾
Delivered Lumens	24,213 lm
Total Input Watts	192 W
Luminaire Efficacy Rating (LER)	126 lm/W
Correlated Color Temperature (CCT)	5000 K
Color Rendering Index (CRI)	> 80
Max Ambient Temp	130° F ⁽²⁾
Universal Driver	120-277 V

SUITABLE APPLICATIONS

- Warehouse
- Distribution
- Manufacturing Plant
- Gymnasium

LED System data above based on HB-190WLED-UNIV-5000K

⁽¹⁾ LED Lumen Maintenance Estimates based on TM-21 projections for the light source at 25° C ambient

⁽²⁾ Max ambient temp applies to standard driver installed.

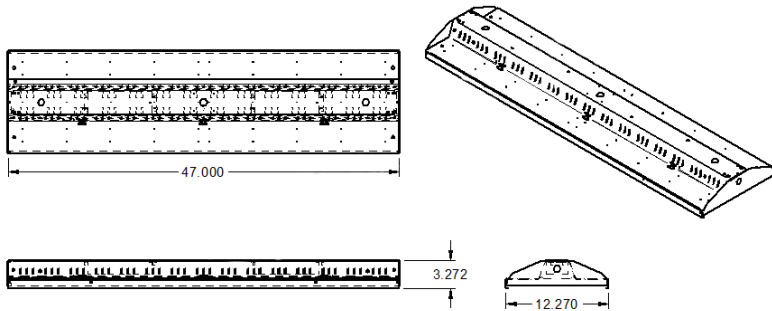


ORDERING GUIDE:

CHB	190WLED	UNIV	5000K	eg: CORDx						
Series		LED		Driver		Color		Options		
<input type="checkbox"/> CHB	High Bay 4ft	<input type="checkbox"/> 190WLED	<input type="checkbox"/> UNIV	120-277 Driver	<input type="checkbox"/> 4000K	<input type="checkbox"/> 5000K	<input type="checkbox"/> FRL	Frosted Acrylic Lens	<input type="checkbox"/> PCL	Polycarbonate Lens .125"
							<input type="checkbox"/> FIOS	On/Off Occupancy Sensor Installed	<input type="checkbox"/> FIOSPC	On/Off Occupancy Sensor w/ Photocell
							<input type="checkbox"/> USDC	User Selectable Dimming Control	<input type="checkbox"/> USBD	User Select Bi-level Dim w/ Occ. Sensor
							<input type="checkbox"/> BDxx	Preset Bi-level Dim Sensor (xx=% eg. 20,30)	<input type="checkbox"/> BDxxPC	Preset Bi-level Dim Sensor w/ Photocell
							<input type="checkbox"/> DHPC	Daylight Harvesting	<input type="checkbox"/> PC	Photocell
							<input type="checkbox"/> SD480**	480V Step Down Transformer	<input type="checkbox"/> LEDBB	LED Battery Backup (may reduce max ambient)
							<input type="checkbox"/> CLD	For Below 0° C/32° F Environment	<input type="checkbox"/> CORDx	Cord (X = ft)
							<input type="checkbox"/> QDCx	Quick Disconnect Cord (X = ft)	<input type="checkbox"/> HB-XX-18Y-PAD	Y-Toggle Cable System (XX = in)
							<input type="checkbox"/> WC	11 Ga Wire Cage		

**All 347V applications please contact factory for pricing

COMMERCIAL HIGH BAY - 190W LED



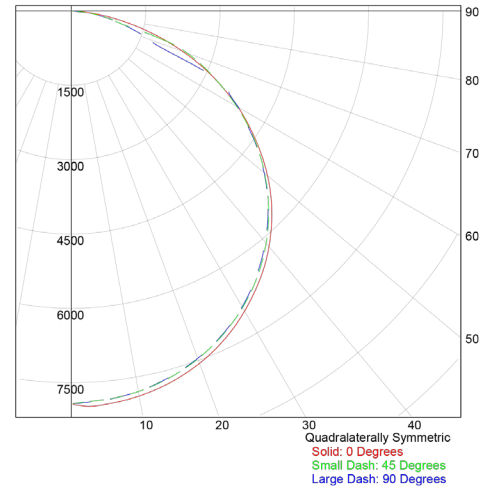
CHB-190WLED-UNIV-5000K

LUMINAIRE OUTPUT = 23577.99 LM
119.9V 1.622A 192.4W PF=0.989

SUMMARY DATA

HEMISPHERES TESTED:	BOTH
EFFICIENCY (Total):	100.0%
EFFICIENCY (Downlight):	100.0%
EFFICIENCY (Uplight):	0.0%
CIE CLASSIFICATION:	DIRECT
SPACING CRITERION: (0-Deg):	1.31
SPACING CRITERION: (90-Deg):	1.29
LUMENS/LAMP:	23577.99
NO. OF LAMPS:	1
LUMINOUS OPENING: RECTANGULAR:	
Width:	1.02 (Feet)
Length:	3.92
Height:	0.00
INPUT WATTS:	192.425

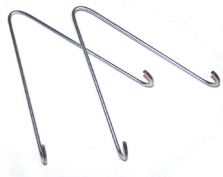
PLANE AND CONE DIAGRAM



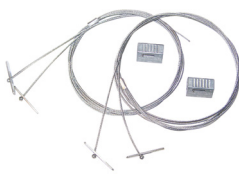
Photometric values based upon tests performed in compliance with LM-79. IES files can be downloaded at www.ilp-inc.com

MOUNTING OPTIONS

- **V-Clips** for dual point chain or cable hanging (standard)
- **Y-Toggle Cable Kit** - Includes 2 adjustable cable hangers
- **SMZBKIT** for surface mounting with 2" space above fixture
- **Fixture Mounting Box (FMB)** - Includes rigid box to attach to the fixture, provides for single point mounting to accept a pendant, hook, or conduit hub (sold separately).



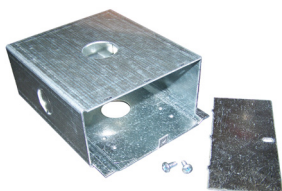
V-Clips



HB-XX-18Y-PAD



SMZBKIT



FMB



HUB 3/4
CONDUIT



HOOK