

Assembly & Installation Instructions

B341

Planar Sconce LED 217310D

Page 1 of 4

CAUTION: FAILURE TO INSTALL THIS FIXTURE PROPERLY MAY RESULT IN SERIOUS PERSONAL INJURY OR DEATH AND PROPERTY DAMAGE. We recommend installation by a licensed electrician.

This product must be installed in accordance with applicable installation code(s), by a person familiar with the construction and operation of the product and the hazards involved.*

Caution: Do not exceed maximum wattage noted on fixture. Use only recommended bulbs with fixture.

Please Note: This fixture is designed to be mounted on a standard wall surface and may not be suitable for all applications. If installing in a non-wood frame application, we recommend consulting a qualified builder or electrician.

Please Note: After installation, extra hardware and accessories may be left due to kits being used on multiple products.

To Mount Fixture to Single Box (Figure 1)

Component Parts

- A Wall Mount Bracket
- B Anchors (2)

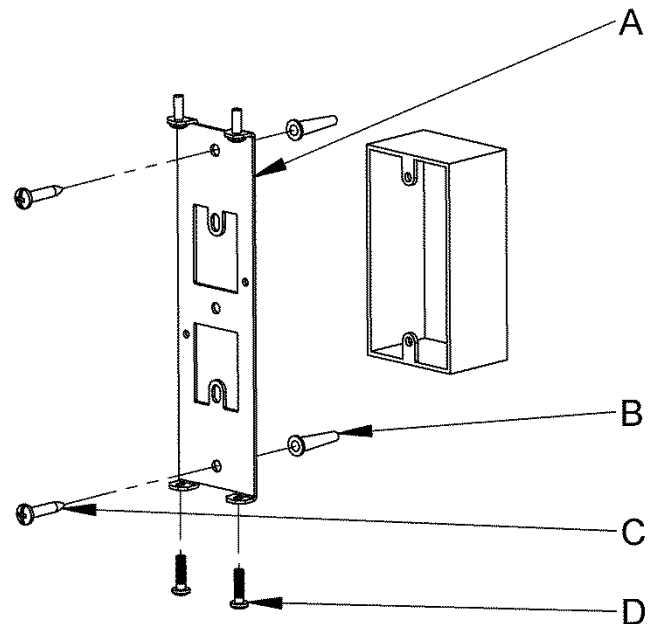
- C #10 Screws (2)
- D #8 X 5/8" Screws(2)

Caution: Be sure power is off at the main breaker box prior to installation.

1. Carefully unpack the fixture from the carton.
2. Wall mount bracket (A) is shipped attached to fixture. Remove two #8 x 5/8" screws (D) from bottom of fixture and remove wall mount bracket.
3. Center the wall mount bracket (A) over the electrical box being sure to hold it plumb and level.
4. With a pencil, mark the location of all mounting holes in the wall mount bracket (A) on the wall behind. Set wall mount bracket aside. (Figure 1)

IMPORTANT: Wall mount bracket must be secured to a solidly mounted electrical box and/or a framing member in at least two locations. Do not depend on drywall anchors alone to support this fixture. If in doubt, contact a qualified electrician.

5. Drill 1/4" holes in the locations marked on the wall. For holes using anchors, place the tapered end of the anchors (B) into the holes and gently tap them flush to the wall using a light weight hammer.
6. Thread the wires in the electrical box through one of the center holes in the wall mount bracket (A) while moving the bracket into position. Using the #10 screws (C), screw the wall mount bracket (A) securely to the wall. Be careful not to over-tighten or strip the anchors.



(Figure 1)

Assembly & Installation Instructions

Planar Sconce LED 217310D

B341

Page 2 of 4
(continued)

To Mount Fixture to 4" Box (Figure 2)

Component Parts

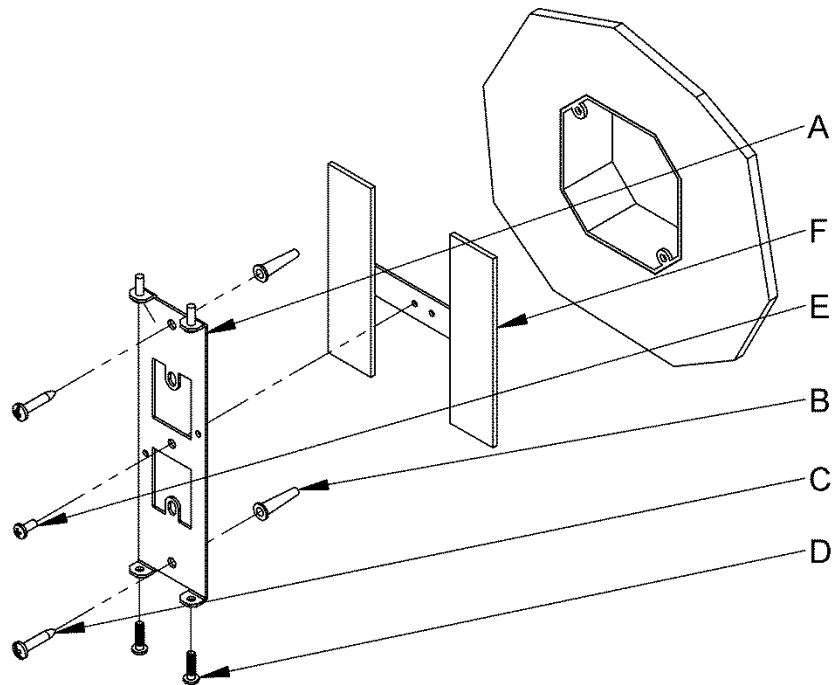
- | | | | |
|---|--------------------|---|-------------------------------|
| A | Wall Mount Bracket | D | #8 X 5/8" Screws(2) |
| B | Anchors (2) | E | #8 Screw |
| C | #10 Screws (2) | F | Electrical Box Cover (4" box) |

Caution: Be sure power is off at the main breaker box prior to installation.

1. Carefully unpack the fixture from the carton.
2. Wall mount bracket (A) is shipped attached to fixture. Remove two #8 x 5/8" screws (D) from bottom of fixture and remove wall mount bracket.
3. Remove #8 screw (E) from center of electrical box cover (F). Attach electrical box cover (F) to wall mount bracket (A) with #8 screw (E) in center.
4. Center the wall mount bracket (A) over the electrical box being sure to hold it plumb and level.
5. With a pencil, mark the location of all mounting holes in the wall mount bracket (A) on the wall behind. Set wall mount bracket (A) aside. (Figure 1)

IMPORTANT: Wall mount bracket must be secured to a solidly mounted electrical box and/or a framing member in at least two locations. Do not depend on drywall anchors alone to support this fixture. If in doubt, contact a qualified electrician.

6. Drill 1/4" holes in the locations marked on the wall. For holes using anchors, place the tapered end of the anchors (B) into the holes and gently tap them flush to the wall using a light weight hammer.
7. Thread the wires in the electrical box through one of the center holes in the wall mount bracket (A) while moving the bracket into position. Using the #10 screws (C), screw the wall mount bracket (A) securely to the wall. Be careful not to over-tighten or strip the anchors.



(Figure 2)

(continued)

To Prepare & Install Fixture (Figure 3)

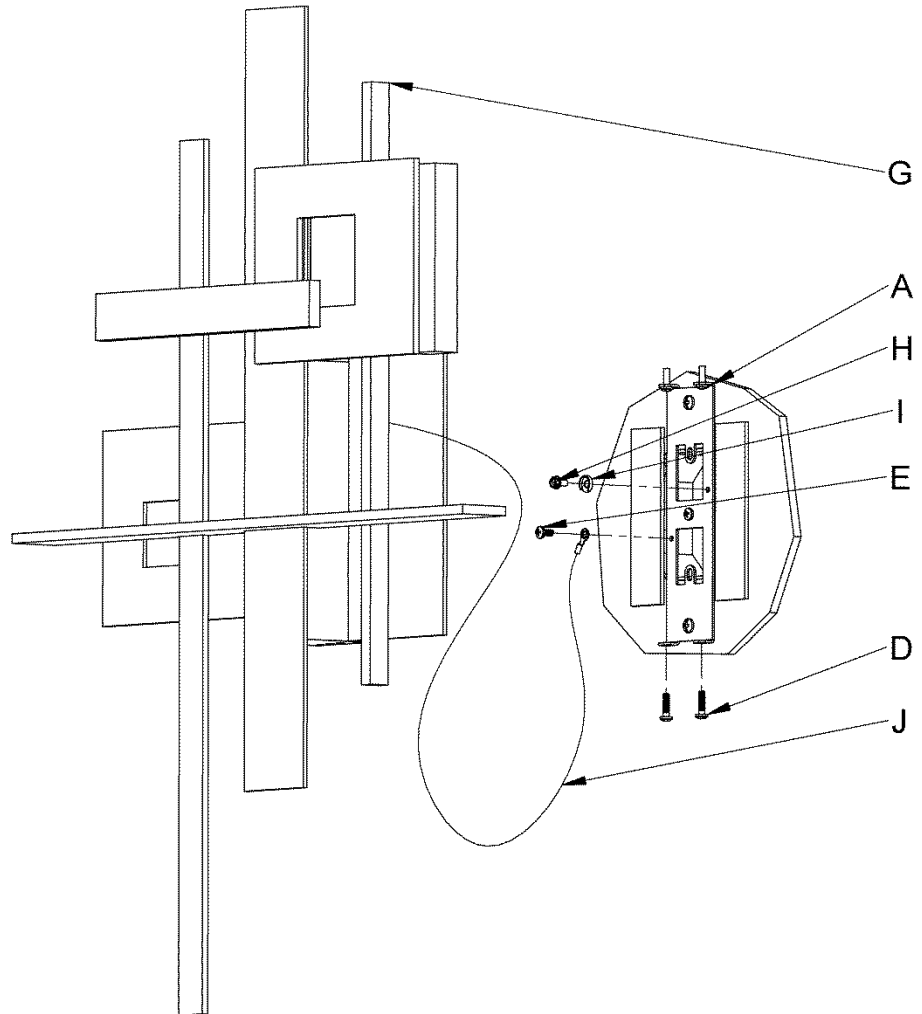
Component Parts

- | | | | |
|---|---------------------|---|---------------|
| A | Wall Mount Bracket | H | Ground Screw |
| D | #8 x 5/8 Screws (2) | I | Cupped Washer |
| E | #8 x 3/8 Screws | J | Steel Cable |
| G | Fixture | | |

1. To help support fixture (G) during wiring, hold fixture (G) close to wall mount bracket (A) and attach free end of steel cable (J) to wall mount bracket (A) using #8 Screw (E). Using suitable wire connectors (not provided), connect fixture wires to supply wires (white to white and black to black). Secure a pigtail lead to wall mount bracket (A) using cupped washer (I) and green ground screw (H). Using a suitable wire connector, connect ground wire(s) from electrical box, ground wire from fixture and pigtail lead from wall mount bracket together.

Caution: Make sure wire connectors are twisted on securely, and no bare wires are exposed.

2. Carefully tuck all wires and steel cable (J) inside fixture housing and inside wall mount bracket (A). Place fixture (G) over wall mount bracket (A) so that the screws in top of wall mount bracket (A) go through holes in top of fixture (G). Secure fixture (G) by threading both #8-32 x 5/8" screws (D) up through holes in bottom of fixture (G) and into wall mount bracket (A).
3. Restore electricity at main breaker.



(Figure 3)

If you need further assistance, or find that you are missing any parts, please contact the dealer from which you purchased this product. We hope you enjoy your fixture!

Assembly & Installation Instructions

Planar Sconce LED 217310D

B341

Page 4 of 4

* Hubbardton Forge will not be liable for injury or damage caused by improper installation, lamping or use of this fixture.