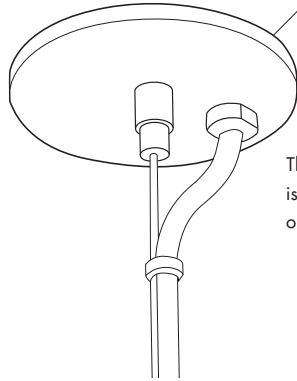


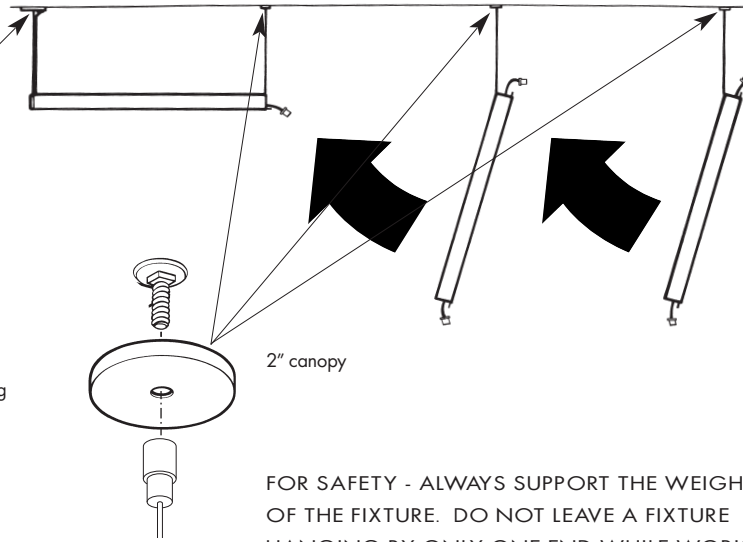
# SDI5 INSTALLATION INSTRUCTIONS

## 1 STARTING A ROW

Note that only the first fixture in each row will require two suspension cables. Each adjoining fixture will require only one cable before attaching to the previous fixture.



The 5" canopy is used at the beginning of row for power feed.



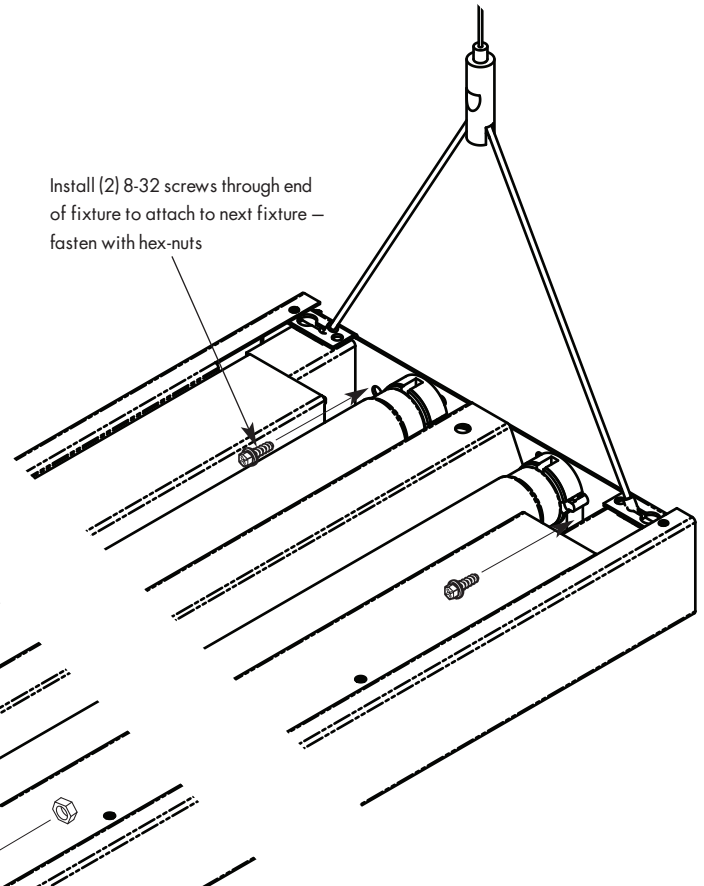
FOR SAFETY - ALWAYS SUPPORT THE WEIGHT OF THE FIXTURE. DO NOT LEAVE A FIXTURE HANGING BY ONLY ONE END WHILE WORKING!

## 2 HANG & CONNECT ROWS

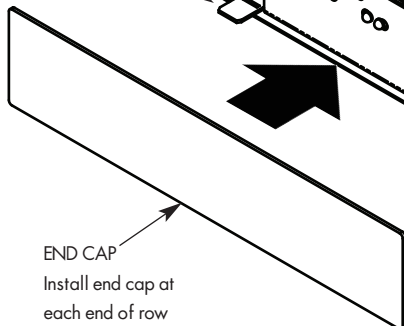
Begin each row by hanging & leveling the power feed fixture from the first two suspension cables. The second fixture in line will hang from the following suspension cable and attach to the end of the first fixture as follows:

- Plug fixtures together with quick-connect wiring at fixture ends.
- Interlock tabs and slots at ends of fixtures for correct alignment.
- Insert two 8-32 Phillips screws included with joiner fixture hardware. Securely fasten fixtures together with 8-32 hex nuts.
- Each additional fixture in the row attaches in the same manner.

Install (2) 8-32 screws through end of fixture to attach to next fixture – fasten with hex-nuts



Bend alignment tabs inward at row ends before installing end caps



END CAP  
Install end cap at each end of row

FIRST END OF FIRST FIXTURE IN ROW

**Note:** Fixture to be installed by a qualified electrician in accordance with the NEC and all state and local codes

Instructions continued on reverse side

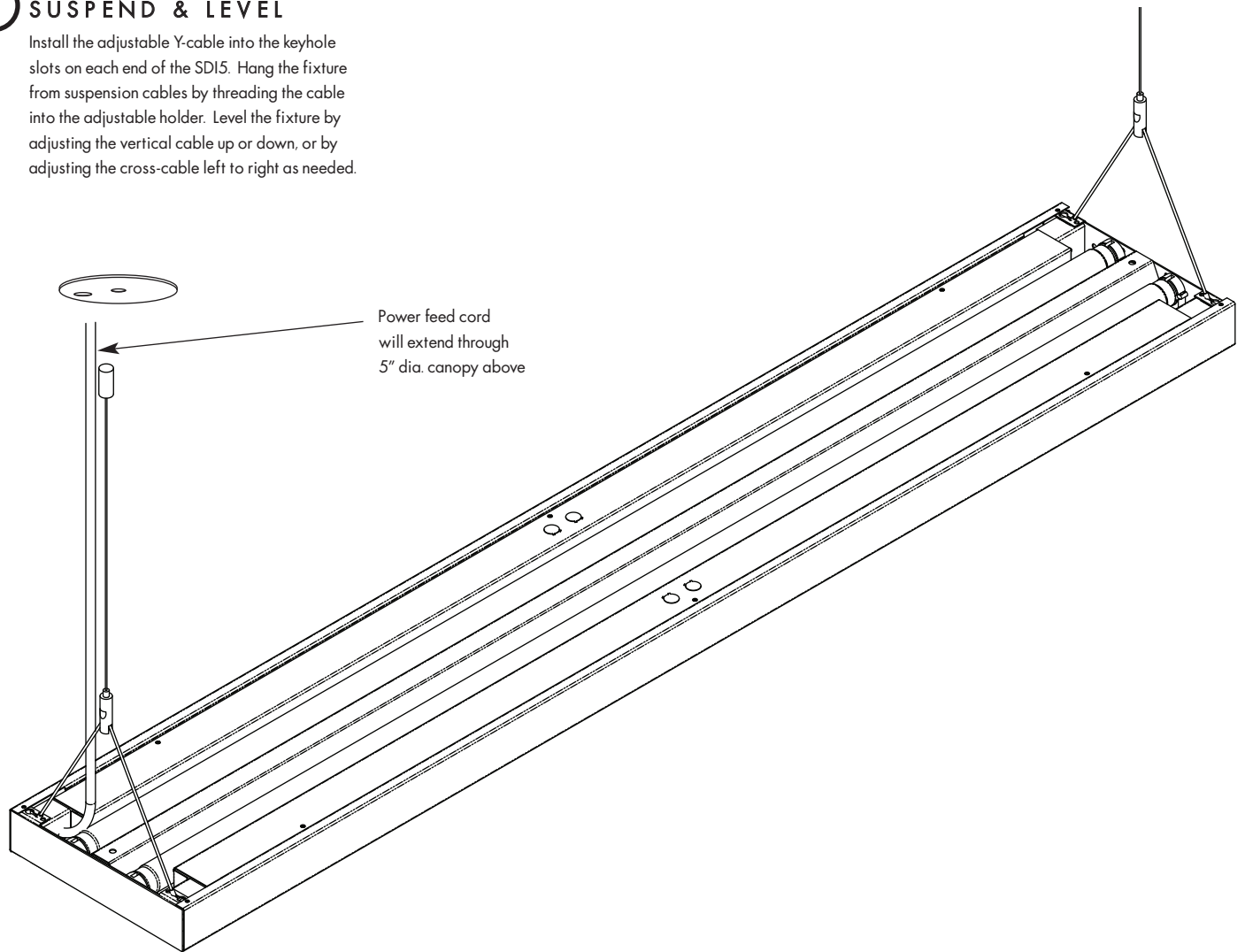


A Visible Difference  
PART NO. 49090029  
SDI5 SERIES INSTRUCTIONS

# SDI5 INSTALLATION INSTRUCTIONS

## 3 SUSPEND & LEVEL

Install the adjustable Y-cable into the keyhole slots on each end of the SDI5. Hang the fixture from suspension cables by threading the cable into the adjustable holder. Level the fixture by adjusting the vertical cable up or down, or by adjusting the cross-cable left to right as needed.



## 4 MOUNTING POINT DIMENSIONS

