

CATALOG #: \_\_\_\_\_

TYPE: \_\_\_\_\_

PROJECT: \_\_\_\_\_

## FEATURES

- Round, surface mounted, architectural fixture adds visual interest to a variety of applications
- Provides soft, uniform ambient illumination
- Lift-and-twist lens assembly allows for easy maintenance
- Efficacies up to 143 lm/W
- Made Right Here® in the USA

## SPECIFICATIONS

- HOUSING** – .080" spun aluminum outer housing with C.R.S. back plate.
- SHIELDING** – Frosted acrylic lens, .125" thick.
- FINISH** – Textured matte white polyester TGIC powder coat bonded to phosphate-free, multi-stage pretreated metal. All parts painted after fabrication to facilitate installation, increase efficiency, and inhibit corrosion.
- ELECTRICAL** – High quality mid-power LED boards. L85 at 50,000 hours. 25°C maximum ambient operating temperature.
- MOUNTING** – Surface mount.
- LISTINGS** – CCSAus certified as luminaire suitable for dry or damp locations.
- WARRANTY** – 5-year limited warranty, see [hew.com/warranty](http://hew.com/warranty).

**IMPORTANT:** Electrostatic sensitive unit. Observe precautions when handling.

## ORDERING EXAMPLE: RNDS - 4 - L200/835 - FXA - OPTIONS - DIM - UNV

### ORDERING INFO

SERIES	DIAMETER	LUMENS <sup>[1]</sup>	CRI	CCT	LENS
RNDS	2 2'	2'	8 80	27 2700K	FXA Frosted convex acrylic lens
	3 3'	L25 2,500lm		30 3000K	
	4 4'	L45 4,500lm		35 3500K	
		L83 8,300lm		40 4000K	
		3'		50 5000K	
		L67 6,700lm			
		L150 15,000lm			
		4'			
		L136 13,600lm			
		L200 20,000lm			

### OPTIONS

**EM/10W REMOTE (L\_\_)** Remote mount emergency battery <sup>[3]</sup> Additional lower lumen packages available. Specify in increments of 100 nominal lumens.  
**Example:** 9,500 nominal lumens = RNDS-4-L136/835-FXA-(L95)

### CONTROL <sup>[2]</sup>

**DRV** Non-dimming driver  
**DIM** Dimming driver  
**DIM1** 1% dimming driver

### VOLTAGE

**120** 120V  
**277** 277V  
**UNV** 120-277V

## NOTES

<sup>1</sup> Nominal lumen output based on 3500K CCT. Actual lumens may vary +/-5%, see page 2 for FIXTURE PERFORMANCE DATA.  
<sup>2</sup> Additional lumen packages available, see options.  
<sup>3</sup> See page 3 for ADDITIONAL DRIVER OPTIONS.

<sup>3</sup> 120V - 277V only. Requires remote mounted battery, provided with remote mounting enclosure for installation in ceiling above fixture. Separate power and control wiring to remote box required. See page 3 for REMOTE MOUNT DETAILS.



## FIXTURE PERFORMANCE DATA

	LED PACKAGE	DELIVERED LUMENS	WATTAGE	EFFICACY (lm/W)
2'	L25	2528	24.3	104.1
	L45	4530	45.7	99.2
	L83	8195	85.0	96.4
3'	L67	6717	57.9	115.9
	L150	15019	136.3	110.9
4'	L136	13649	95.4	143.0
	L200	20070	147.7	135.9

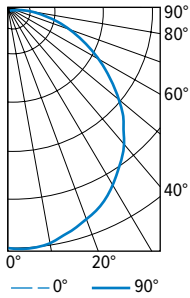
### MULTIPLIER TABLES

COLOR TEMPERATURE	
CCT	CONVERSION FACTOR
2700K	0.97
3000K	0.99
3500K	1.00
4000K	1.03
5000K	1.06

- Photometrics tested in accordance with IESNA LM-79. Results shown are based on 25°C ambient temperature.
- Wattage shown is average for 120V through 277V input.
- Results based on 3500K, 80 CRI, actual lumens may vary +/-5%
- Use multiplier table to calculate additional options.

## PHOTOMETRY

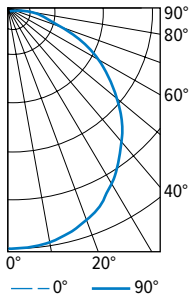
**RNDS-2-L83/835-FXA** Total Luminaire Output: 8197 lumens; 85.0 Watts | Efficacy: 96.4 lm/W | 80.0 CRI; 3500K CCT



CANDLEPOWER DISTRIBUTION	VERTICAL ANGLE	HORIZONTAL ANGLE			ZONAL LUMENS
		0°	45°	90°	
	0	2844	2844	2844	
	5	2860	2840	2827	270
	15	2764	2754	2744	776
	25	2558	2548	2551	1178
	35	2272	2265	2252	1416
	45	1922	1876	1889	1457
	55	1463	1443	1453	1307
	65	1004	1001	1004	992
	75	555	559	539	584
	85	186	176	183	216
	90	76	83	86	

LUMEN SUMMARY	ZONE	LUMENS	% FIXTURE
	0 - 30	2224	27
	0 - 40	3640	44
	0 - 60	6405	78
	0 - 90	8197	100
	0 - 180	8197	100

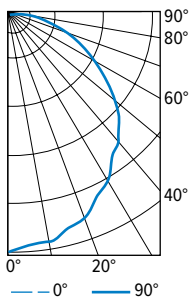
**RNDS-3-L150/835-FXA** Total Luminaire Output: 15114 lumens; 136.3 Watts | Efficacy: 110.9 lm/W | 80.0 CRI; 3500K CCT



CANDLEPOWER DISTRIBUTION	VERTICAL ANGLE	HORIZONTAL ANGLE			ZONAL LUMENS
		0°	45°	90°	
	0	5225	5225	5225	
	5	5206	5202	5204	495
	15	5034	5050	5050	1424
	25	4684	4695	4689	2161
	35	4155	4146	4180	2602
	45	3456	3490	3490	2690
	55	2711	2704	2709	2418
	65	1848	1871	1850	1841
	75	988	1024	974	1061
	85	322	329	307	376
	90	123	129	120	

LUMEN SUMMARY	ZONE	LUMENS	% FIXTURE
	0 - 30	4080	27
	0 - 40	6682	44
	0 - 60	11790	78
	0 - 90	15068	100
	0 - 180	15114	100

**RNDS-4-L200/835-FXA** Total Luminaire Output: 20070 lumens; 147.7 Watts | Efficacy: 135.9 lm/W | 80.0 CRI; 3500K CCT



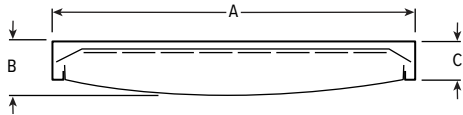
CANDLEPOWER DISTRIBUTION	VERTICAL ANGLE	HORIZONTAL ANGLE			ZONAL LUMENS
		0°	45°	90°	
	0	7356	7356	7356	
	5	7102	7096	7090	678
	15	6803	6794	6797	1924
	25	6157	6149	6154	2858
	35	5367	5357	5364	3388
	45	4700	4691	4697	3574
	55	3598	3592	3604	3188
	65	2477	2464	2480	2432
	75	1313	1316	1316	1430
	85	467	475	475	547
	90	185	188	188	

LUMEN SUMMARY	ZONE	LUMENS	% FIXTURE
	0 - 30	5461	27
	0 - 40	8849	44
	0 - 60	15611	78
	0 - 90	20019	100
	0 - 180	20070	100



# RNDS <sup>LED</sup> Round Architectural Surface Mount

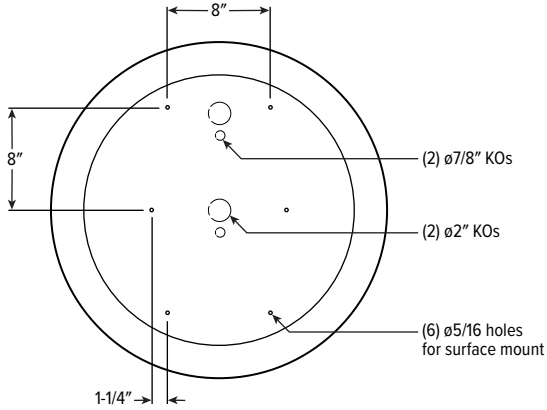
## CROSS SECTION



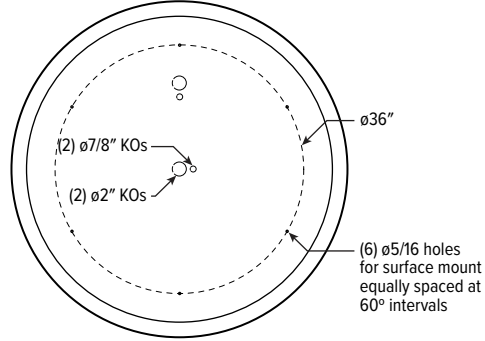
FIXTURE SIZE	A (DIA.)	B	C
2'	ø26-3/16"	6-11/16"	5-1/8"
3'	ø36-11/16"	7-3/16"	5-1/8"
4'	ø48-11/16"	7-11/16"	5-1/8"

## MOUNTING DETAILS

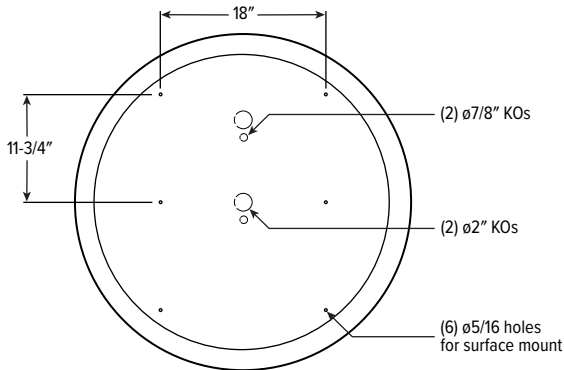
### 2' MOUNTING INFORMATION



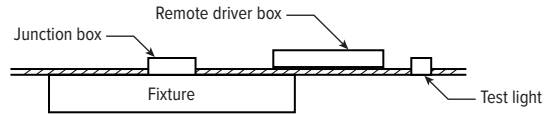
### 4' MOUNTING INFORMATION



### 3' MOUNTING INFORMATION



### EM/10W REMOTE MOUNT DETAILS



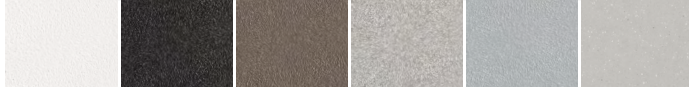
## ADDITIONAL CONTROL OPTIONS

Note: Lumen restrictions apply, consult product builder at [hew.com/product-builder](http://hew.com/product-builder).

CATALOG NUMBER	DESCRIPTION
DRV	Driver prewired for non-dimming applications
DIM	Dimming driver prewired for 0-10V low voltage applications
DIM1	1% dimming driver prewired for 0-10V low voltage applications
DIM LINE	Line voltage dimming driver (TRIAC and ELV compatible, 120V only)
DIM TRC	Line voltage dimming driver (TRIAC compatible, 120V or 277V only)
SD40	40% step-dimming driver
SD50	50% step-dimming driver
DALI	DALI dimming driver
LTE LINE	Lutron Hi-lume 1% 2-wire dimming driver forward phase line voltage controls (120V only)
LDE1	Lutron Hi-lume 1% EcoSystem dimming LED driver
LDE5	Lutron 5-Series 5% EcoSystem dimming LED driver
ELDO SOLOB	EldoLED Solodrive, 0.1% dimming driver for 0-10V controls
ELDO SOLOB DALI	EldoLED Solodrive, 0.1% dimming driver for DALI controls
ELDO ECO1	EldoLED Ecodrive, 1% dimming driver for 0-10V controls
ELDO ECO1 DALI	EldoLED Ecodrive, 1% dimming driver for DALI controls

## FINISH OPTIONS

WHITE      BLACK      BRONZE      NICKEL      SILVER      ALUMINUM



For custom color, please specify RAL code or a manufacturer code with description. All custom colors other than RAL require two sample swatches, minimum 1" square.