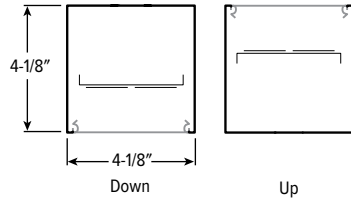
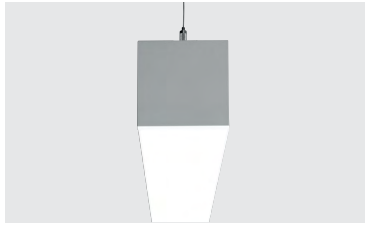


MX4 LED 4" Continuous – Suspended

GET A QUOTE >



CATALOG #: _____

TYPE: _____

PROJECT: _____

FEATURES

- Available with BIOS® SkyBlue® technology to support proper daytime circadian stimulus
- Create elegant spaces with a seamless, continuous row of illumination
- Flat and proud lenses give designers a variety of looks
- Moveable mounting hardware easily slides along the length of the fixture providing variable mounting points
- Maximize energy savings with efficacies as high as 117 lm/W
- Linear extrusion contains snap-in light rails for ease of installation and maintenance
- Versatile MX4 system includes recessed, surface, suspended and in-wall mounting, see hew.com
- Corner configurations available, see Product Builder at hew.com/product-builder
- Diffuse acrylic lens provides uniform illumination for visual comfort
- Made Right Here® in the USA

ORDERING EXAMPLE: MX4D - 12'00 - L8/835 - F - AC/D48 - OPTIONS - DIM - UNV

SERIES	LENGTH	Product Builder
MX4D Down	Lengths specified in feet and inches using 4" increments, 2' minimum.	Easily build shapes & simplify ordering with the Williams Linear Product Builder at hew.com/product-builder ^[1]
MX4U Up	Example: 12'00 = 12'-0"	



LUMENS ^[2]	CRI	CCT	SHIELDING	MOUNTING (EXAMPLE: AC/D48) ^[3]
L8 800lm	8 80	27 2700K	F Flat, diffuse acrylic	Prefix Type Length
L12 1200lm	9 90 ^[4]	30 3000K	P Proud, diffuse acrylic with 5/16" drop ^[5]	AC/ D 1" grid & hardpan 24 24"
L15 1500lm		35 3500K		N 9/16" grid 48 48"
		40 4000K		S Slot grid 96 96"
		50 5000K		MSF_ Microstem, 1/4" IPS, specify length in inches ^[6]

SPECIFICATIONS

- HOUSING – Extruded aluminum with die-cast end plates.
- SHIELDING – Extruded, flat, diffuse acrylic lens.
- FINISH – Textured matte white polyester TGIC powder coat bonded to phosphate-free, multi-stage pretreated metal. All parts painted after fabrication to facilitate installation, increase efficiency, and inhibit corrosion.
- ELECTRICAL – High quality mid-power LED boards. L70 >60,000 hours per IES TM-21. 25°C maximum ambient operating temperature.
- MOUNTING – Suspended. 1/16" diameter adjustable steel leveling aircraft cable and mounting hardware necessary for grid and hardpan ceiling applications provided.
- LISTINGS –
 - cETLus conforms to UL STD 1598.
 - Certified to CAN/CSA STD C22.2 No. 250.0.
 - Suitable for damp locations.
 - DesignLights Consortium qualified product. Not all versions of this product may be DLC qualified, see the DLC Qualified Products List at www.designlights.org/QPL.
- WARRANTY – 5-year limited warranty, see hew.com/warranty.

OPTIONS ^[7]	CONTROL ^[8]	VOLTAGE
EM/7W 7-watt emergency battery ^[9]	DIM Dimming driver	120 120V
EM/7WRM Remote mount 7-watt emergency battery ^[10]	DRV Non-dimming driver	277 277V
EM/10W 10-watt emergency battery ^[11]	VDO/DSR Lutron Vive integral fixture control, RF with daylight and occupancy sensor (DFCSJ-OEM-OCC) and sensor-ready driver	UNV 120-277V
EM/10WRM Remote mount 10-watt emergency battery ^[12]		347 347V ^[16]
OCC__ Factory-installed occupancy sensor ^[13] : OCCWS FS-355-L6	VRF/DSR Lutron Vive integral fixture control, RF only (DFCSJ-OEM-RF) and sensor-ready driver	
V90 Vertical 90° corner, suspended ^[14]		
ASY Asymmetric distribution ^[15]		

NOTES

- See page 5 for CORNER DETAILS.
- Lumens per foot output based on 3500K CCT and F shielding. Actual lumens may vary ± 5%. See page 2 for FIXTURE PERFORMANCE DATA.
- See page 3 for MOUNTING DETAILS.
- Extended lead times may apply. Consult factory for availability.
- MX4D only. See page 4 for SHIELDING DETAILS. Not available with corner configurations or transition options.
- MX4D only.
- See page 4 for FINISH OPTIONS. Custom colors available upon request. See Technical Info for [Power Entry](#) details.
- See page 3 for ADDITIONAL CONTROL OPTIONS.
- MX4U, L8 and L12 only. Not available with fixtures less than 4'.
- L15 or fixtures less than 4' only.
- L8 and L12 only. Not available with fixtures less than 4'.
- L15 or fixtures less than 4' only.
- Recommended for use in downlight orientation only. Utilizes 4" of housing at end of fixture. See page 4 for FIXTURE DETAILS. 120V or 277V only.
- Connects MX4D to vertically mounted MX4RW; F shielding only. MX4D only. See page 4 for FIXTURE DETAILS.
- Available with F shielding only. Creates uneven lens illumination. See page 4 for CROSS SECTIONS.
- Not available with EM drivers.



MX4^{LED} 4" Continuous – Suspended

FIXTURE PERFORMANCE DATA

	DOWN (PER FOOT)			UP (PER FOOT)		
	DELIVERED LUMENS	WATTAGE	EFFICACY (lm/W)	DELIVERED LUMENS	WATTAGE	EFFICACY (lm/W)
L8	824	7.3	113	851	7.3	117
L12	1175	10.8	108	1187	10.8	110
L15	1439	13.5	107	1439	13.5	107

- Photometrics tested in accordance with IESNA LM-79. Results shown are based on 25°C ambient temperature.
- Wattage shown is average for 120V through 277V input.
- Results based on F shielding, 3500K, 80 CRI, actual lumens may vary +/-5%.
- Use multiplier table to calculate additional options.

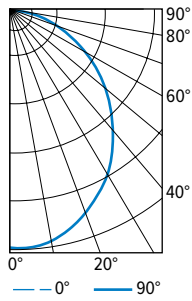
MULTIPLIER TABLE

	COLOR TEMPERATURE	
	CCT	CONVERSION FACTOR
80 CRI	2700K	0.97
	3000K	0.99
	3500K	1.00
	4000K	1.03
	5000K	1.06
90 CRI	2700K	0.80
	3000K	0.82
	3500K	0.83
	4000K	0.86
	5000K	0.89

ASY OPTION	
WATTAGE	EFFICACY (lm/W)
1.03	0.97

PHOTOMETRY

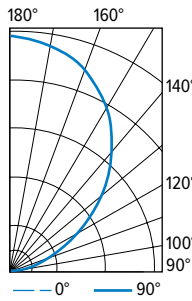
MX4D-4'00-L8/835-F-DIM Total Luminaire Output: 3296 lumens; 29.2 Watts | Efficacy: 113 lm/W | 80 CRI; 3500K CCT



VERTICAL ANGLE	HORIZONTAL ANGLE			ZONAL LUMENS
	0°	45°	90°	
0	894	894	894	
5	913	887	878	123
15	882	846	832	348
25	789	764	746	512
35	684	651	639	597
45	555	530	510	597
55	415	395	371	513
65	270	254	243	368
75	127	122	121	192
85	20	25	23	45
90	0	0	0	

LUMEN SUMMARY	ZONE	LUMENS	% FIXTURE
	0 - 30	983	30
0 - 40	1580	48	
0 - 60	2690	82	
0 - 90	3296	100	
0 - 180	3296	100	

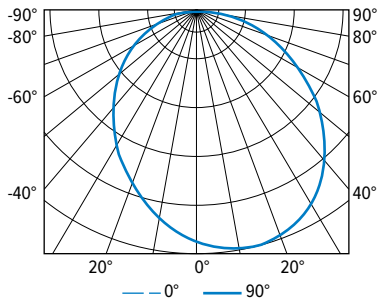
MX4D-4'00-L8/835-F-DIM Total Luminaire Output: 3404 lumens; 29.2 Watts | Efficacy: 117 lm/W | 80 CRI; 3500K CCT



VERTICAL ANGLE	HORIZONTAL ANGLE			ZONAL LUMENS
	0°	45°	90°	
90	0	0	0	
95	20	19	17	29
105	161	123	103	138
115	382	285	242	298
125	643	516	431	477
135	933	818	688	624
145	1189	1112	1006	681
155	1389	1315	1261	603
165	1498	1456	1419	410
175	1557	1519	1501	144
180	1540	1540	1540	

LUMEN SUMMARY	ZONE	LUMENS	% FIXTURE
	90 - 120	465	14
90 - 130	941	28	
90 - 150	2247	66	
90 - 180	3404	100	
0 - 180	3404	100	

MX4D-4'00-L8/835-F-ASY Total Luminaire Output: 3197 lumens; 29.2 Watts | Efficacy: 109 lm/W | 80 CRI; 3500K CCT



VERTICAL ANGLE	HORIZONTAL ANGLE					ZONAL LUMENS
	0°	45°	90°	135°	180°	
0	1153	1153	1153	1153	1153	
5	1149	1175	1188	1175	1149	109
15	1101	1185	1221	1185	1101	311
25	1011	1135	1187	1135	1011	468
35	881	1024	1083	1024	881	556
45	726	868	922	868	726	566
55	560	684	730	684	560	507
65	384	481	516	481	384	387
75	203	275	300	275	203	227
85	50	86	100	86	50	67
90	2	13	19	13	2	

LUMEN SUMMARY	ZONE	LUMENS	% FIXTURE
	0 - 30	887	28
0 - 40	1443	45	
0 - 60	2516	79	
0 - 90	3197	100	
0 - 180	3197	100	



MX4 LED 4" Continuous – Suspended

ADDITIONAL CONTROL OPTIONS

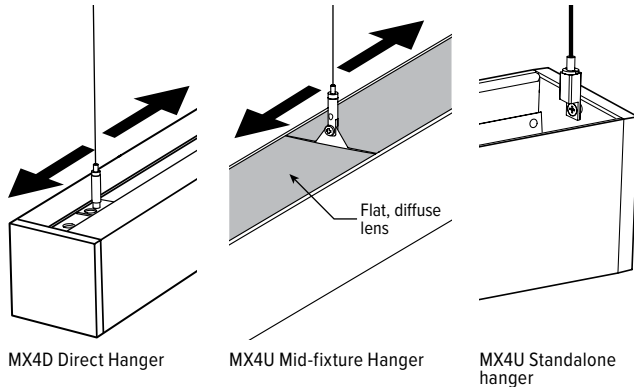
Note: Lumen restrictions apply, consult product builder at hew.com/product-builder.

CATALOG NUMBER	DESCRIPTION
DRV	Driver prewired for non-dimming applications
DIM	Dimming driver prewired for 0-10V low voltage applications
DIM1	1% dimming driver prewired for 0-10V low voltage applications
DIM LINE	Line voltage dimming driver (TRIAC and ELV compatible, 120V only)
DIM TRC	Line voltage dimming driver (TRIAC compatible, 120V or 277V only)
DSR	Sensor-ready driver
SD40	40% step-dimming driver
SD50	50% step-dimming driver
DALI	DALI dimming driver
LTE LINE	Lutron Hi-lume 1% 2-wire dimming driver forward phase line voltage controls (120V only)
LDE1	Lutron Hi-lume 1% EcoSystem dimming LED driver
LDE5	Lutron 5-Series 5% EcoSystem dimming LED driver
VDO/DSR	Lutron Vive integral fixture control, RF with daylight and occupancy sensor (DFCSJ-OEM-OCC) and sensor-ready driver
VRF/DSR	Lutron Vive integral fixture control, RF only (DFCSJ-OEM-RF) and sensor-ready driver
VDO/DBI/LDE1	Lutron Vive integral fixture control, RF with daylight and occupancy sensor (DFCSJ-OEM-OCC), Lutron Hi-lume 1% EcoSystem dimming LED driver, and digital link interface
VDO/DBI/LDE5	Lutron Vive integral fixture control, RF with daylight and occupancy sensor (DFCSJ-OEM-OCC), Lutron 5-Series 5% EcoSystem dimming LED driver, and digital link interface
VRF/DBI/LDE1	Lutron Vive integral fixture control, RF only (DFCSJ-OEM-RF), Lutron Hi-lume 1% EcoSystem dimming LED driver, and digital link interface
VRF/DBI/LDE5	Lutron Vive integral fixture control, RF only (DFCSJ-OEM-RF), Lutron 5-Series 5% EcoSystem dimming LED driver, and digital link interface
ELDO SOLOB	EldoLED Solodrive, 0.1% dimming driver for 0-10V controls
ELDO SOLOB DALI	EldoLED Solodrive, 0.1% dimming driver for DALI controls
ELDO ECO1	EldoLED Ecodrive, 1% dimming driver for 0-10V controls
ELDO ECO1 DALI	EldoLED Ecodrive, 1% dimming driver for DALI controls

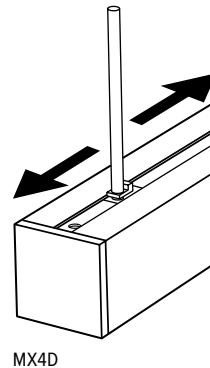
MOUNTING DETAILS

Aircraft cable row mount accessories can be repositioned along the length of the channel, providing flexible mounting locations to suit any application.

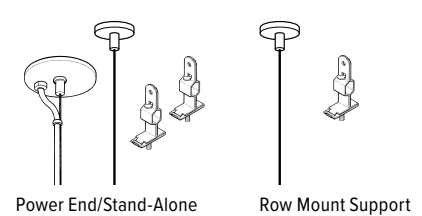
AIRCRAFT CABLE



MICROSTEM



STANDARD HARDWARE



Notes:

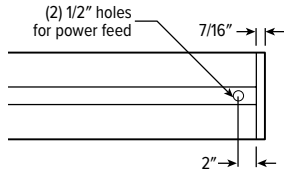
- Fixtures are provided with adjustable length aircraft cables and mounting hardware, must specify.
- Electrical supply is brought into the feeder (or stand-alone) fixture, either as part of a row or as an individual mount unit. Power feed locations are 2" from end (downlight) or at end of fixture (uplight).
- One 5" canopy included for each feeder fixture. One 2" canopy included for each additional fixture required in a row.



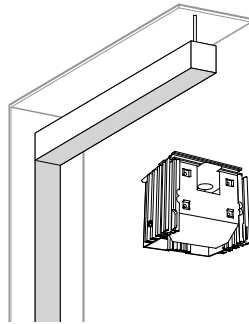
MX4^{LED} 4" Continuous – Suspended

FIXTURE DETAILS

MX4D BACK VIEW



V90 CORNER ACCESSORY



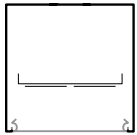
Includes tamper resistant lens bracket for lower end of vertical fixture.

OCCUPANCY SENSOR

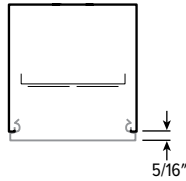


SHIELDING DETAILS

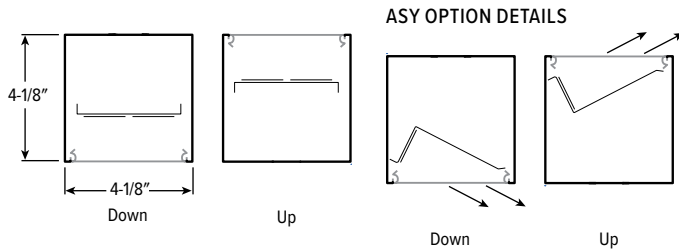
FLAT



PROUD

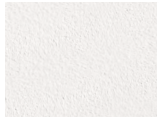


CROSS SECTIONS

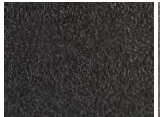


FINISH OPTIONS

WHITE



BLACK



BRONZE



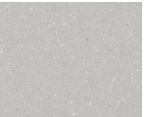
NICKEL



SILVER



ALUMINUM



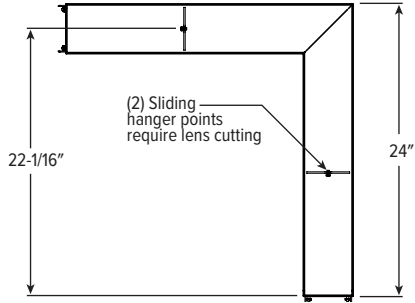
For custom color, please specify RAL code or a manufacturer code with description. All custom colors other than RAL require two sample swatches, minimum 1" square.



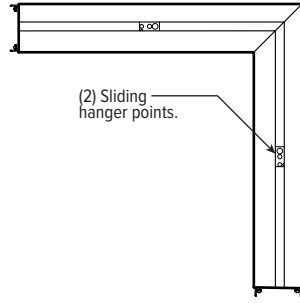
MX4^{LED} 4" Continuous – Suspended

CORNER DETAILS

MX490U BACK VIEW



MX490D BACK VIEW



Note: Corner orientation determined in field.
Feeder corner end cap shipped separately.

