



# 4AR LED 4.5" Adjustable Downlight – Round

## FIXTURE PERFORMANCE DATA

### OPEN REFLECTOR TRIM TYPE

	DISTRIBUTION	DELIVERED LUMENS	WATTAGE	EFFICACY (lm/W)
L10	W	690	12.1	56.9
	M	946	12.1	78.0
	N	1014	12.1	83.6
L15	W	1041	17.2	60.6
	M	1427	17.2	83.0
	N	1529	17.2	89.0
L20	W	1380	24.2	57.5
	M	1892	24.0	78.8
	N	2028	24.0	84.5
L30	W	1532	36.9	41.5
	M	2497	36.9	67.6
	N	2785	36.9	75.4
L40	W	2043	49.0	41.7
	M	3330	49.0	68.0
	N	3714	49.0	75.8

### FLUSH LENS TRIM TYPE

	DISTRIBUTION	DELIVERED LUMENS	WATTAGE	EFFICACY (lm/W)
L10	W	684	12.1	56.4
	M	915	12.1	75.5
	N	953	12.1	78.6
L15	W	1031	17.2	60.0
	M	1381	17.2	80.3
	N	1438	17.2	83.7
L20	W	1368	24.0	57.0
	M	1831	24.0	76.3
	N	1907	24.0	79.5
L30	W	2091	36.9	56.6
	M	2718	36.9	73.6
	N	2701	36.9	73.1
L40	W	2788	49.0	56.9
	M	3625	49.0	74.0
	N	3602	49.0	73.5

### ANGLED LENS TRIM TYPE

	DISTRIBUTION	DELIVERED LUMENS	WATTAGE	EFFICACY (lm/W)
L10	W	486	12.1	40.1
	M	712	12.1	58.7
	N	859	12.1	70.8
L15	W	733	17.2	42.6
	M	1074	17.2	62.5
	N	1295	17.2	75.4
L20	W	972	24.0	40.5
	M	1425	24.0	59.4
	N	1718	24.0	71.6
L30	W	1528	36.9	41.4
	M	2067	36.9	55.9
	N	2313	36.9	62.6
L40	W	2037	49.0	41.6
	M	2756	49.0	56.2
	N	3085	49.0	63.0

### MULTIPLIER TABLES

	COLOR TEMPERATURE	
	CCT	CONVERSION FACTOR
80 CRI	2700K	0.92
	3000K	0.98
	3500K	1.00
	4000K	1.01
	5000K	1.02
90 CRI	2700K	0.76
	3000K	0.79
	3500K	0.82
	4000K	0.84
	5000K	0.88

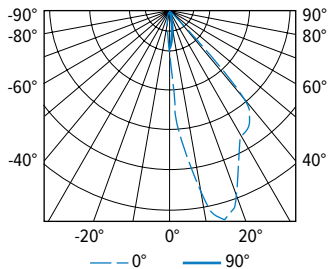
OPEN REFLECTOR FINISH	
CATALOG NUMBER	CONVERSION FACTOR
CS	1.00
WH	0.89
BL	0.79

TRIM	
CATALOG NUMBER	CONVERSION FACTOR
AD <sup>1</sup>	0.85
PD <sup>1</sup>	0.85

- <sup>1</sup> Distribution will also be affected, consult factory.
- Photometrics tested in accordance with IESNA LM-79. Results shown are based on 25°C ambient temperature.
- Wattage shown is based on 120V input.
- Results based on 3500K/80 CRI, 0° tilt, actual lumens may vary +/-5%
- Use multiplier table to calculate additional options.

## PHOTOMETRY

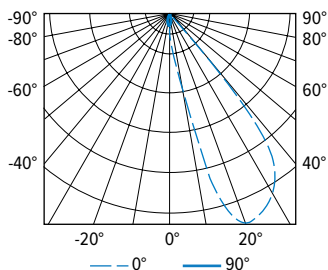
4AR-L20/835-DIM-UNV-OW-OF-CS (25° tilt) Report #: 20446; 05/21/18 | Total Luminaire Output: 1368 lumens; 24.2 Watts | Efficacy: 56.6 lm/W | 81.7 CRI; 3628K CCT



VERTICAL ANGLE	HORIZONTAL ANGLE					ZONAL LUMENS
	0°	45°	90°	135°	180°	
0	808	808	808	808	808	
5	2450	1718	670	277	200	95
15	4432	2421	259	63	41	323
25	3338	2205	66	17	15	414
35	2889	1016	12	8	11	469
45	597	31	5	4	3	67
55	6	0	0	0	3	1
65	1	0	0	0	0	0
75	0	0	0	0	0	0
85	0	0	0	0	0	0
90	0	0	0	0	0	0

LUMEN SUMMARY	ZONE	LUMENS	% FIXTURE
	0 - 30	832	61
	0 - 40	1301	95
	0 - 60	1368	100
	0 - 90	1368	100
	0 - 180	1368	100

4AR-L20/835-DIM-UNV-OM-OF-CS (25° tilt) Report #: 20449; 05/21/18 | Total Luminaire Output: 1899 lumens; 24.1 Watts | Efficacy: 78.7 lm/W | 81.7 CRI; 3627K CCT



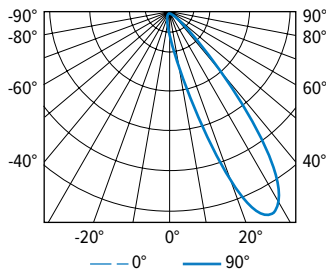
VERTICAL ANGLE	HORIZONTAL ANGLE					ZONAL LUMENS
	0°	45°	90°	135°	180°	
0	421	421	421	421	421	
5	1196	797	374	202	165	49
15	6029	1486	188	62	36	367
25	6905	1510	71	13	11	718
35	5706	648	10	0	0	711
45	657	33	0	0	0	54
55	6	0	0	0	0	0
65	0	0	0	0	0	0
75	0	0	0	0	0	0
85	0	0	0	0	0	0
90	0	0	0	0	0	0

LUMEN SUMMARY	ZONE	LUMENS	% FIXTURE
	0 - 30	1134	60
	0 - 40	1845	97
	0 - 60	1899	100
	0 - 90	1899	100
	0 - 180	1899	100



# 4AR LED 4.5" Adjustable Downlight – Round

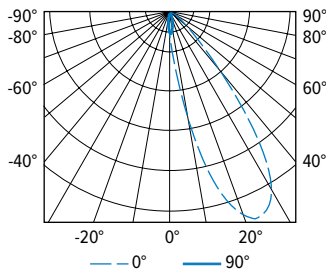
4AR-L20/835-DIM-UNV-ON-OF-CS (25° tilt) Report #: 20452; 05/18/18 | Total Luminaire Output: 2116 lumens; 24.2 Watts | Efficacy: 87.6 lm/W | 81.6 CRI; 2064K CCT



CANDLEPOWER DISTRIBUTION	VERTICAL ANGLE	HORIZONTAL ANGLE					ZONAL LUMENS
		0°	45°	90°	135°	180°	
	0	279	279	279	279	279	
	5	953	613	238	117	99	35
	15	4499	1403	121	38	36	294
	25	10088	1537	42	25	36	873
	35	7874	656	7	5	0	794
	45	1249	60	0	0	0	117
	55	29	0	0	0	0	3
	65	0	0	0	0	0	0
	75	0	0	0	0	0	0
	85	0	0	0	0	0	0
	90	0	0	0	0	0	0

LUMEN SUMMARY	ZONE	LUMENS	% FIXTURE
	0 - 30	1202	57
	0 - 40	1996	94
	0 - 60	2116	100
	0 - 90	2116	100
	0 - 180	2116	100

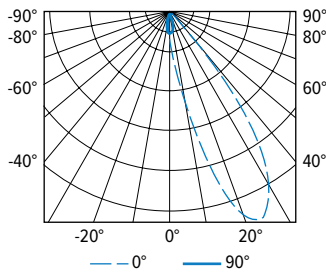
4AR-L20/835-DIM-UNV-LM-OF-WH (25° tilt) Report #: 20458; 05/21/18 | Total Luminaire Output: 1708 lumens; 24.1 Watts | Efficacy: 70.9 lm/W | 81.7 CRI; 3622K CCT



CANDLEPOWER DISTRIBUTION	VERTICAL ANGLE	HORIZONTAL ANGLE					ZONAL LUMENS
		0°	45°	90°	135°	180°	
	0	507	507	507	507	507	
	5	1255	963	476	260	211	58
	15	4082	1767	293	116	100	308
	25	5327	1711	137	81	87	575
	35	3495	755	71	80	98	465
	45	978	187	52	83	106	179
	55	175	56	40	68	87	73
	65	43	23	24	45	59	36
	75	16	9	10	20	28	16
	85	2	0	0	0	1	0
	90	0	0	0	0	0	0

LUMEN SUMMARY	ZONE	LUMENS	% FIXTURE
	0 - 30	941	55
	0 - 40	1406	82
	0 - 60	1657	97
	0 - 90	1708	100
	0 - 180	1708	100

4AR-L20/835-DIM-UNV-AM-OF-WH (25° tilt) Report #: 20467; 05/21/18 | Total Luminaire Output: 1422 lumens; 24.1 Watts | Efficacy: 59.0 lm/W | 81.6 CRI; 3631K CCT



CANDLEPOWER DISTRIBUTION	VERTICAL ANGLE	HORIZONTAL ANGLE					ZONAL LUMENS
		0°	45°	90°	135°	180°	
	0	451	451	451	451	451	
	5	1163	806	434	229	164	50
	15	3925	1641	252	77	52	291
	25	5359	1482	94	38	33	538
	35	3382	543	42	39	42	398
	45	685	96	33	38	41	106
	55	68	22	24	26	26	27
	65	17	13	11	10	7	11
	75	6	3	0	0	1	2
	85	0	0	0	0	0	0
	90	0	0	0	0	0	0

LUMEN SUMMARY	ZONE	LUMENS	% FIXTURE
	0 - 30	878	62
	0 - 40	1276	90
	0 - 60	1409	99
	0 - 90	1422	100
	0 - 180	1422	100

## ADDITIONAL CONTROL OPTIONS

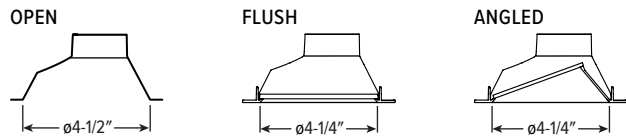
Lumen restrictions apply: L30 max for DMX driver and Lutron drivers, L40 max for DIM LINE driver. R Mounting Type only available with DIM, DIM1, and DIM LINE controls. 347V may require stepdown transformer, see product builder at [hew.com/product-builder](http://hew.com/product-builder).

CATALOG NUMBER	DESCRIPTION
DIM	Dimming driver prewired for 0-10V low voltage applications
DIM1	1% dimming driver prewired for 0-10V low voltage applications
DIM LINE	Line voltage dimming driver (TRIAC and ELV compatible at 120V only)
DMX	0.1% dimming driver for DMX controls
LTE LINE	Lutron Hi-lume 1% 2-wire dimming driver forward phase line voltage controls (120V only)
LDE1	Lutron Hi-lume 1% EcoSystem dimming LED driver
LDE5	Lutron 5-Series 5% EcoSystem dimming LED driver
VRF/DSR	Lutron Vive integral fixture control, RF only (DFCSJ-OEM-RF) and sensor-ready driver
VRF/DBI/LDE1	Lutron Vive integral fixture control, RF only (DFCSJ-OEM-RF), Lutron Hi-lume 1% EcoSystem dimming LED driver, and digital link interface
VRF/DBI/LDE5	Lutron Vive integral fixture control, RF only (DFCSJ-OEM-RF), Lutron 5-Series 5% EcoSystem dimming LED driver, and digital link interface
FCJS/DIM	Lutron Vive PowPak wireless fixture control with dimming driver
FCJS/DIM1	Lutron Vive PowPak wireless fixture control with 1% dimming driver
ELDO SOLOB	EldoLED Solodrive, 0.1% dimming driver for 0-10V controls
ELDO SOLOB DALI	EldoLED Solodrive, 0.1% dimming driver for DALI controls
ELDO ECO1	EldoLED Ecodrive, 1% dimming driver for 0-10V controls
ELDO ECO1 DALI	EldoLED Ecodrive, 1% dimming driver for DALI controls

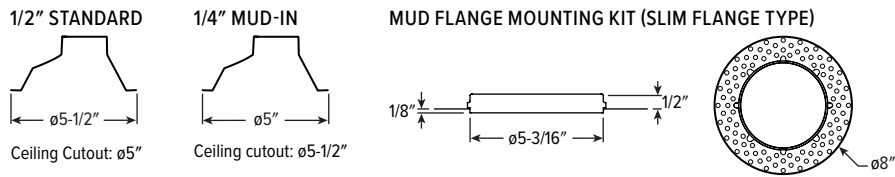


# 4AR LED 4.5" Adjustable Downlight – Round

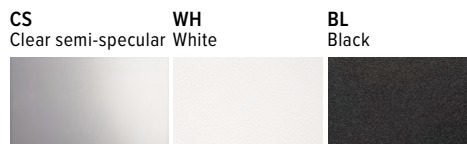
## TRIM TYPE DETAILS



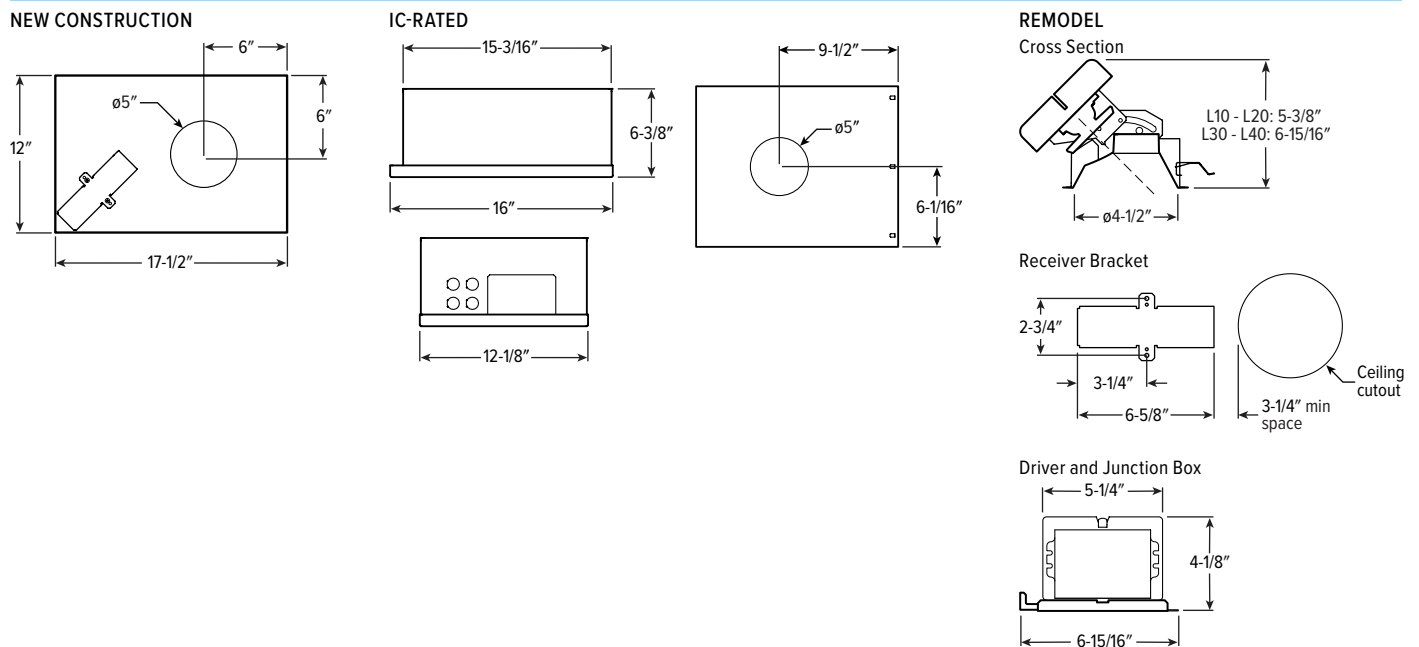
## FLANGE TYPE DETAILS



## REFLECTOR FINISH DETAILS

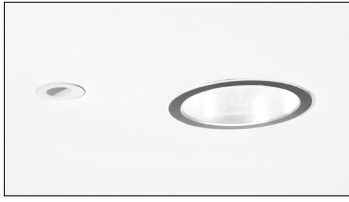


## MOUNTING TYPE DETAILS

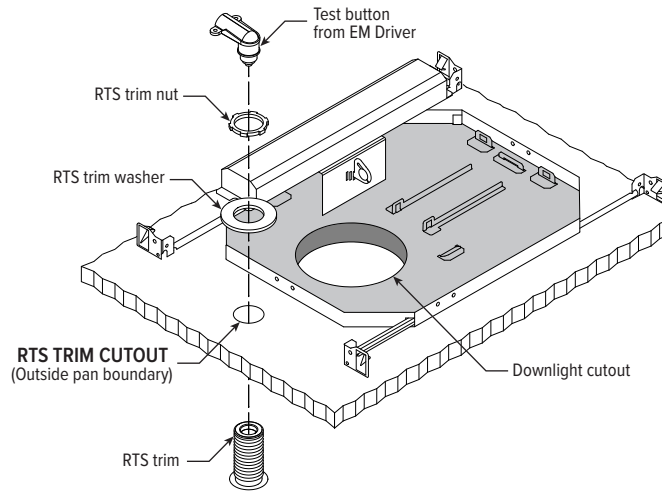


# 4AR LED 4.5" Adjustable Downlight – Round

## EM/10W/RTS DETAILS

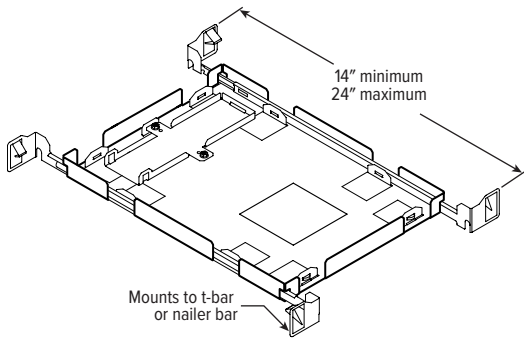


Shown Installed

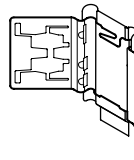


## MOUNTING HARDWARE DETAILS

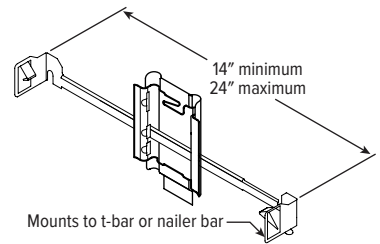
**F1** Integral 2-position fixed pan bracket, universal bar hanger included



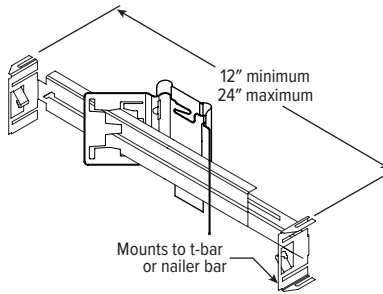
**BA1** Adjustable butterfly pan bracket, bar hanger not included (N Mounting Type only)



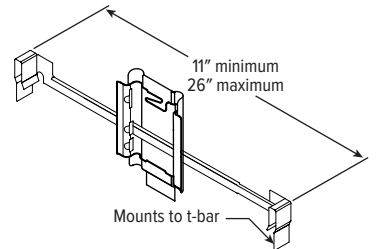
**CA1** Adjustable caterpillar pan bracket, universal bar hanger included (N Mounting Type only)



**BA2** Adjustable butterfly pan bracket, heavy-duty universal bar hanger included (N Mounting Type only)



**CA2** Adjustable caterpillar pan bracket, t-bar hanger included (N Mounting Type only)



F1 with I Mounting Type

