

FINELITE

High Performance Wall Grazer (HP-WG)



6"W x 6"D
Flat (Standard) Endcap



Date

Project

Type

Comments

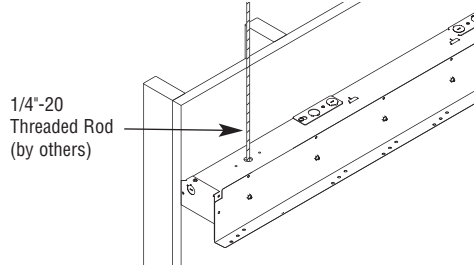
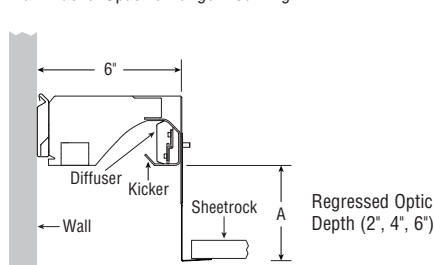
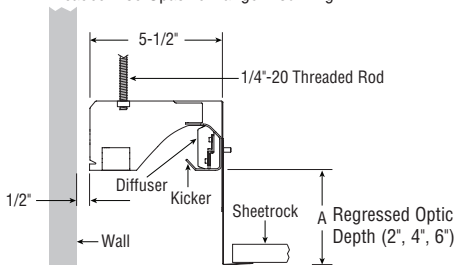
[GET A QUOTE >](#)

DESCRIPTION

The High Performance Wall Grazer (HP-WG) is a perimeter luminaire that creates a uniform grazing distribution of light down the vertical surface of a wall. The light separates the wall and the ceiling plane and accentuates relief and patterns of textured vertical surfaces. Available in 2", 4", and 6" regressed optic options.

Threaded-Rod Spackle Flange Mounting

Wall Bracket Spackle Flange Mounting



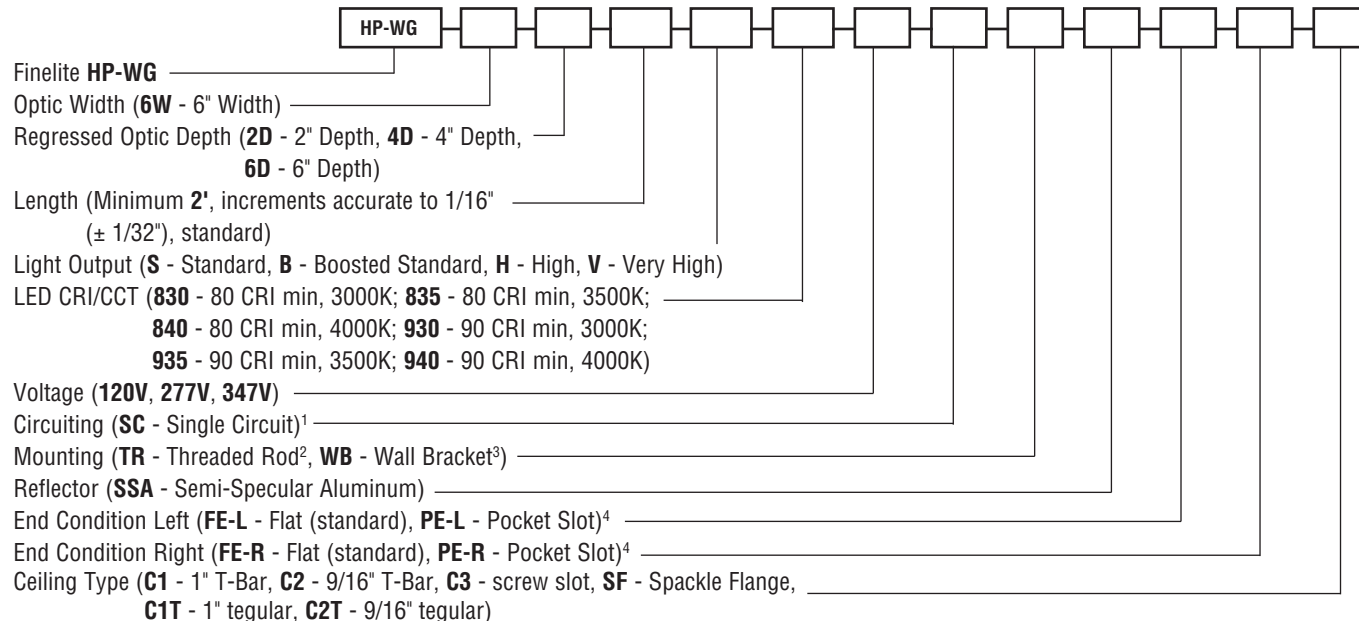
DIMENSIONS & LIGHT ENGINE

The grazing distribution is attained with mid-power LEDs distributed evenly and paired with a precise regressed diffuser.

THREADED-ROD (TR) MOUNTING INSTALLATION

Eliminates the need to install mounting hardware prior to the completion of the slot framing.

ORDERING GUIDE – Sample Number: HP-WG - 6W - 4D - 8' - S - 830 - 120V - SC - TR - SSA - FE-L - FE-R - C1



¹ Contact factory for switching options.

⁴ The end condition on each side can be specified with different hardware options to accommodate different installation features. See page 3 for more information.

² Pre- or post-ceiling.

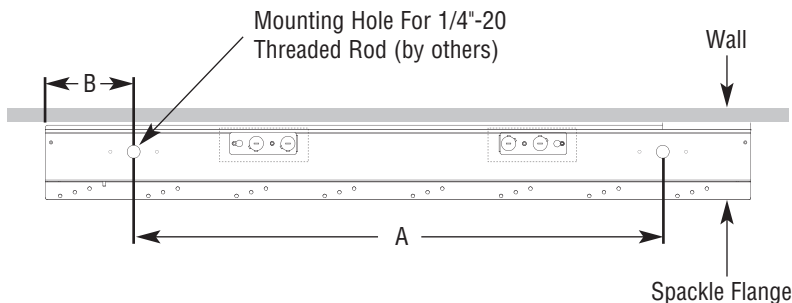
³ Pre-ceiling only.

A brand of Legrand

FINELITE

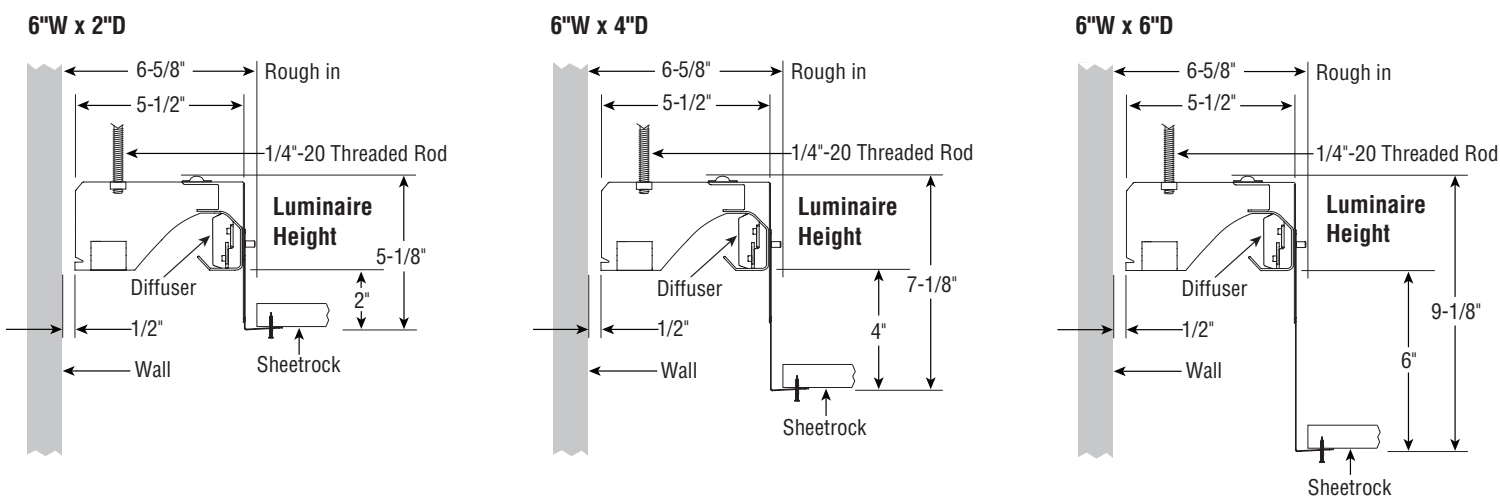
High Performance Wall Grazer (HP-WG)

THREADED-ROD (TR) MOUNTING LOCATION

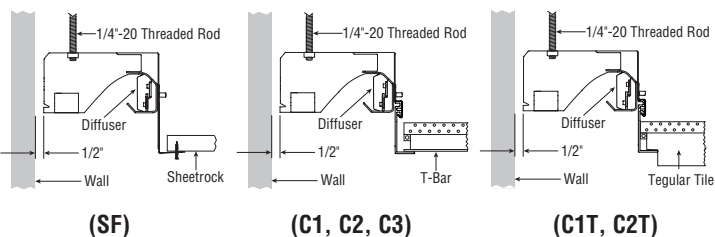


MOUNTING HOLE LOCATION TABLE		
LUMINAIRE LENGTH	A (in)	B (in)
2'	18	3
3'	30	3
4'	36	6
8'	84	6

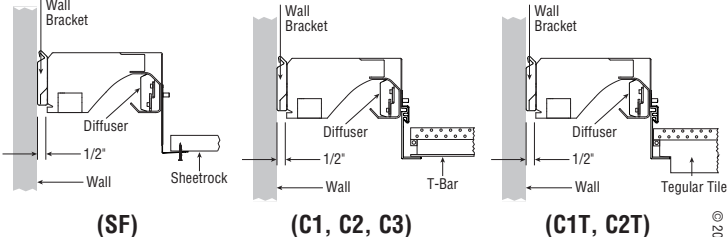
THREADED-ROD (TR) MOUNTING CROSS SECTIONS



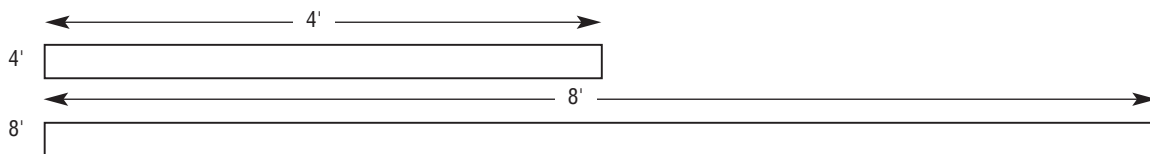
CEILING TYPES — THREADED-ROD (TR) MOUNTING



WALL BRACKET (WB) MOUNTING



RUN LENGTHS



Standard 4', and 8' section can be combined to make longer runs.

Endcaps Information

The **Flat Endcap** adds 1/8" per endcap to the section length.

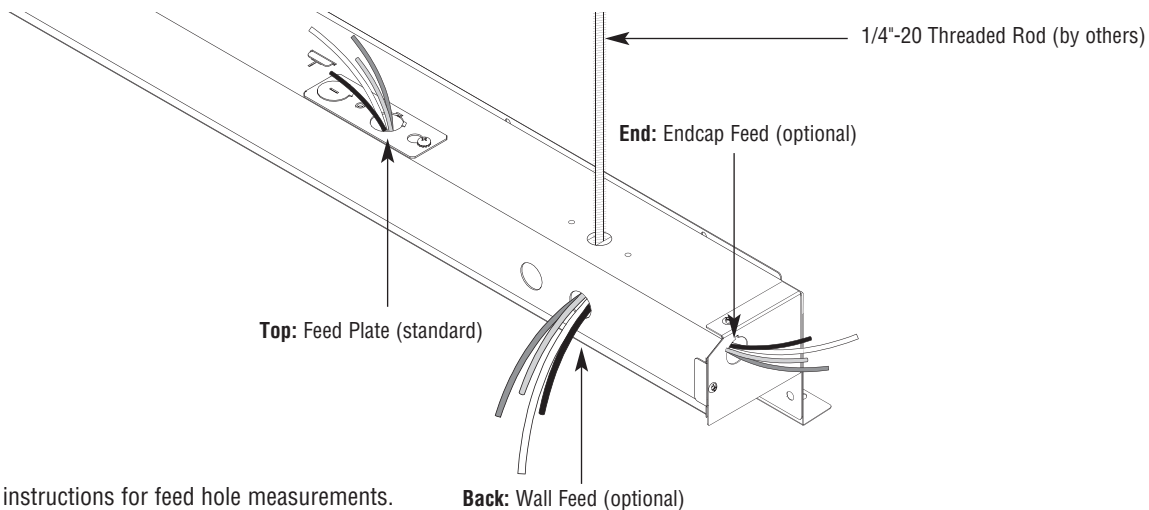
The **Pocket Slot Endcap** adds 1-1/4" for Spackle Flange and 1" for T-Bar per endcap to the section length.

A brand of Legrand

FINELITE

High Performance Wall Grazer (HP-WG)

FEED OPTIONS



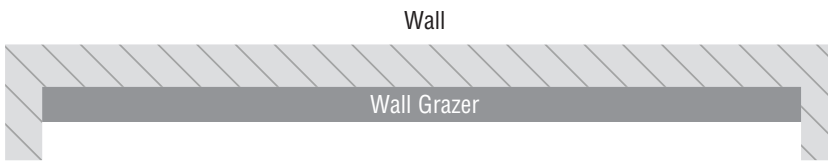
Refer to installation instructions for feed hole measurements.

ENDCAP OPTIONS

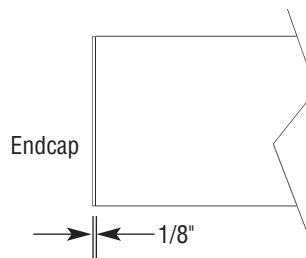
STANDARD FLAT (FE-L or FE-R)



Add 1/8" per endcap. Spackle Flange version shown, T-Bar available.



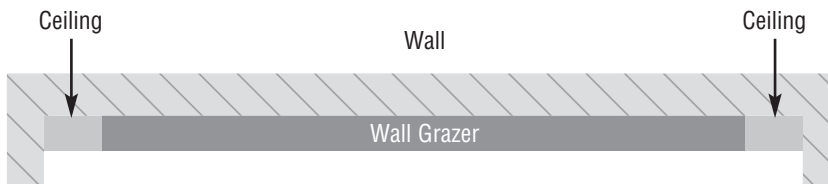
Flat end condition when luminaire terminates at a vertical surface such as a wall.



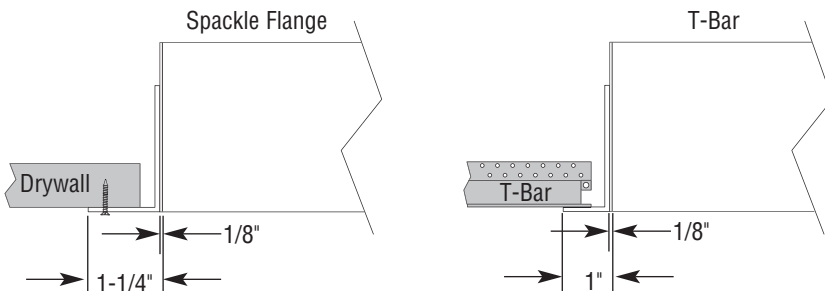
POCKET SLOT (PE-L or PE-R)



Adds 1-1/4" for Spackle Flange and 1" for T-Bar (includes endcap dimension 1/8") per endcap to the housing length on shop drawings. T-Bar version shown, Spackle Flange available.



Pocket slot end condition when slot terminates before meeting additional vertical wall surface.



A brand of Legrand

FINELITE

High Performance Wall Grazer (HP-WG)

PHOTOMETRY – 4' Luminaire

6"W x 2"D

Very High Output - 120V

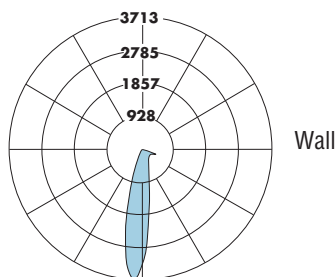
Efficacy: 70 lumens per watt

Total Luminaire Output: 2578 lumens (645 lumens/foot)

36.9 watts (9.2 watts/foot)

CCT: 3500K

ITL LM79 Report: 88542



CANDELA DISTRIBUTION						
	0.0	45	90	135	180	Flux
0	3274	3274	3274	3274	3274	
5	2070	2441	3253	3674	3632	274
15	787	1093	3060	2408	1367	527
25	456	628	2670	759	197	491
35	335	420	2134	129	25	401
45	294	312	1542	26	2	312
55	265	253	984	4	0	231
65	341	241	534	1	0	179
75	238	273	217	0	0	121
85	33	30	35	0	0	24
90	31	27	0	0	0	

	Total Light Output, 3500K, 80 CRI (Lumens) - 4' Luminaire			
	S*	B*	H*	V**
6"W x 2"D	1055	1327	2005	2578

Lumen Adjustment Factors - 80 CRI	
3000K	0.985
3500K	1.000
4000K	1.032

	Light Output, 3500K, 80 CRI (Lumens Per Foot)			
	S*	B*	H*	V**
6"W x 2"D	264	332	501	645

Lumen Adjustment Factors - 90 CRI	
3000K	0.746
3500K	0.760
4000K	0.789

	Power, 3500K, 80 CRI (Watts Per Foot)			
	S*	B*	H*	V**
6"W x 2"D	3.6	4.6	7.1	9.2

Apply a lumen adjustment factor to calculate lumens for the desired CCT and CRI.

	Efficacy, 3500K, 80 CRI (Lumens Per Watt)			
	S*	B*	H*	V**
6"W x 2"D	73	72	71	70

SAMPLE LUMEN ADJUSTMENT CALCULATION

High Output (H), 4000K, 90 CRI

Lumen Adjustment Factor = 0.789

$$\text{Total Light Output} = 2005 \text{ lm} \times 0.789 = 1582 \text{ lm}$$

$$\text{Total Light Output per Foot} = 501 \text{ lm/ft} \times 0.789 = 395 \text{ lm/ft}$$

$$\text{watts/foot} = 7.1 \text{ W/ft}$$

$$\text{Efficacy} = \frac{395 \frac{\text{lm}}{\text{ft}}}{7.1 \frac{\text{W}}{\text{ft}}} = 56 \text{ lm/W}$$

S - Standard Output, B - Boosted Standard Output, H - High Output, V - Very High Output

* Family Correlation based on 4' luminaire 3500K Very High Output (V) test - 120V.

** Based on ITL report: 88542

FINELITE

High Performance Wall Grazer (HP-WG)

SPECIFICATIONS

CONSTRUCTION: Precision cut 6061-T6 extruded aluminum visible flange and reflector carrier. Internal joiner system, plug-together wiring standard. Steel sheet metal galvanized and powder coated body.

ENDCAPS: The luminaire can terminate in two different end conditions to accommodate project needs. Endcaps are made of 20-gauge die-formed powder-coated steel.

END CONDITIONS:

FLAT (standard) (FE-L or FE-R): Is used when the luminaire terminates at a wall. Adds 1/8" per endcap to overall length of the luminaire.

POCKET SLOT (PE-L or PE-R): Includes the necessary hardware to accommodate ceiling materials when the luminaire doesn't terminate at a wall. Adds 1-1/4" for Spackle Flange and 1" for T-Bar per endcap to overall length of the luminaire.

REFLECTORS: 97% reflective semi-specular aluminum reflector provides reflectivity and glare control.

DIFFUSER: Frosted diffusers are 0.040". All diffusers are UV-stabilized and impact resistant virgin acrylic.

LIGHT OUTPUT: Four lumen packages available; Standard (**S**), Boosted Standard (**B**), High (**H**), and Very High (**V**). A separate chart summarizes lumen distribution and wattage. Light engines are replaceable.

LUMEN MAINTENANCE: 90% of initial light output (L90) at 100,000+ hours; 70% of initial light output (L70) at 200,000+ hours.

DRIVER: Replaceable 120V/277V/347V Constant Current Reduction dimming driver standard. Can be wired dimming or non-dimming. 0-10V dimming controls with a range of 10% - 100%. Dimming to 1% available; consult factory. Driver is fully accessible from below the ceiling. Power Factor: ≥ 0.9 . Total Harmonic Distortion (THD): $< 20\%$. Step-dimming driver (limited programable outputs. Contact Factory). Expected driver lifetime: 100,000 hours.

LUTRON DRIVER OPTIONS: **LUTES1** (Hi-lume 1% EcoSystem with Soft-On, Fade to Black dimming (LDE1 series)); **LUTES5** (5-Series 5% EcoSystem (LDE5 Series)); **LUT2W** (Hi-lume 1% 2-wire, 120V forward phase dimming (LTEA series)); Contact factory for availability of discontinued Lutron drivers, L3DA-3-wire and L3DA EcoSystem.

ELECTRICAL: Optional emergency to generator/inverter wiring, internal generator transfer switch, nightlight wiring, backup battery. Chicago Plenum Option available. Factory-choice low-profile backup battery available. 8' minimum luminaire length for low profile battery pack. Backup batteries deliver 1308 lumens. Half of a 4' section will be illuminated in emergency mode. Optional fusing is available.

CIRCUITING: 4' sections can be specified with up to 2 circuits. 8' sections can be specified with up to 4 circuits. All others are available with a single circuit.

MOUNTING: The standard mounting (Threaded Rod - TR) option eliminates the need to install luminaires prior to the slot being framed. Luminaire mounts on threaded rods. Optional Mounting Bracket installation includes wall bracket that is attached to the wall. Luminaires are then snapped onto bracket. Luminaire installation that uses the mounting bracket must be performed before the perimeter slot framing is built.

FINISH: Finelite Signal White powder coat finish standard. Optional adder: 185 colors available using RAL color chart. Custom color applies to the visible T-Bar flange.

FEED: Standard with one 18-gauge/5-conductor single-circuit feed. 14-gauge feed used when luminaire current exceeds 5 amps. Optional 6 flex conduit whips available. Dual knockouts (for dual flex conduit) are available at the top and rear feed locations. Endcaps have a single knockout and support a single flex conduit only.

LENGTHS: Any length, 2-foot minimum, in increments down to 1/16" ($\pm 1/32$ "). 8-foot maximum section length.

LABELS: Luminaire and electrical components are ETL-listed conforming to UL 1598 in the U.S.A. and CAN/CSA C22.2 No. 250.0 in Canada. In accordance with NEC Code 410.73 (G), this luminaire contains an internal driver disconnect. IC-Rated. Damp Location. Finelite products use electronic components that are RoHS compliant, and the mechanical components of the luminaire have been verified to not knowingly contain any restricted substances listed per RoHS Directive 2011/65/EU.

WEIGHT: Threaded-rod luminaire 4.5 lb/ft., Wall Bracket luminaire 5 lb/ft.

WARRANTY: 10-year performance-based warranty on all standard components. Optional accessories such as emergency battery packs are covered by their individual manufacturer warranties.