

Submitted by:		Date:
Type:	Project:	
Ordering Info:		

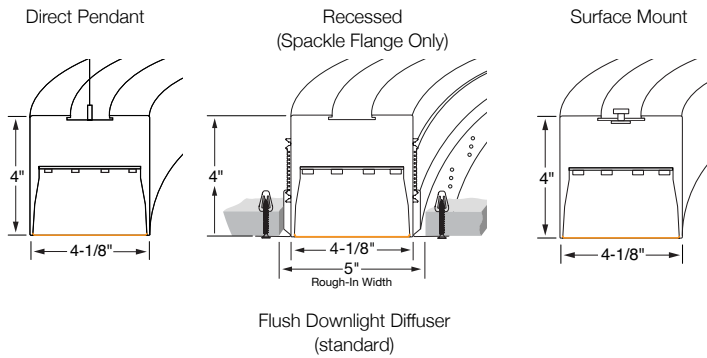
High Performance 4" Aperture Circle (HP-4 C)



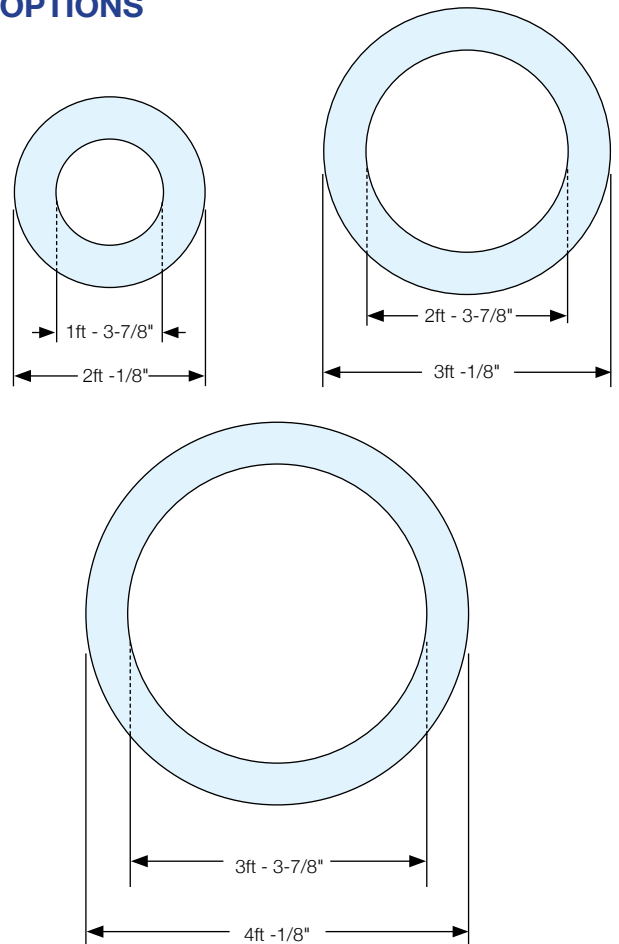
High Performance 4" Aperture Circle (HP-4 C) is a patented, circular LED luminaire. Constructed with an extruded aluminum body and single-piece diffuser, the HP-4 C provides a seamless finish aesthetic. Delivering excellent performance using an advanced optical design and mid-power LEDs to achieve 90% of initial light output at 100,000+ hours.

Signal White is standard finish

CROSS SECTION



SIZE OPTIONS



LUMEN OUTPUT PACKAGES



Submitted by:		Date:
Type:	Project:	
Ordering Info:		

High Performance 4" Aperture Circle (HP-4 C)

Ordering Guide Example: HP - 4 C - D - P - 2' - S - 835 - F - 96 - 120 - SC - FC-1% - FA100 - C1 - SW

BODY TYPE

Platform	Series Name	Luminaire Distribution	Luminaire Type	Size ¹ (Diameter)
HP - High Performance	4 C	D - Direct	P - Pendant R - Recessed <i>(Spackle Flange Only)</i> SM - Surface Mount	2' 3' 4' ¹ Nominal Sizes

ARRAY TYPE

MECHANICAL FEATURES

Downlight Output	LED CRI/CCT	Downlight	Reflector System
S - Standard B - Boosted Standard H - High V - Very High TL - Tailored: _____ lm/ft ²	830 - 80 CRI min, 3000K 835 - 80 CRI min, 3500K 840 - 80 CRI min, 4000K 930 - 90 CRI min, 3000K 935 - 90 CRI min, 3500K 940 - 90 CRI min, 4000K 8TW - 80 CRI min, Tunable White 9TW - 90 CRI min, Tunable White	F - Flush	96 - 96 Low Gloss

²Consult factory for tailored lumen output

ELECTRICAL FEATURES

MOUNTING TYPE

Voltage	Circuiting ³	Driver Selection ⁴	Mounting Method	Ceiling Type ⁹
120 - 120 Voltage 277 - 277 Voltage 347 - 347 Voltage	SC - Single Circuit	FC-10% - Factory Choice 0-10V, 10% Dim FC-10%-DTO - Factory Choice 0-10V, 10% Dim To Off FC-1% - Factory Choice 0-10V, 1% Dim FC-1%-DTO - Factory Choice 0-10V, 1% Dim To Off FIN-DMX - FineTune Tunable White, 1% Dim ⁵ LUT-ES1 - Hi-Lume 1% EcoSystem with Soft-on, Fade to Black dimming (LDE1 series) ⁶ LUT-ES5 - 5-Series 5% EcoSystem (LDE5 Series) ⁶ LUT-2W - Hi-lume 1% 2-wire, 120V forward phase dimming (LTEA series) ⁶ LUT-DTW - 1% T-Series 2-Channel Digital Tunable White (PSQ Series) ⁶	FA50 - Fully Adjustable 50" ⁷ FA100 - Fully Adjustable 100" ⁷ FA150 - Fully Adjustable 150" ⁷ FA200 - Fully Adjustable 200" ⁷ FA250 - Fully Adjustable 250" ⁷ FA300 - Fully Adjustable 300" ⁷ SF - Spackle Flange ⁸	C1 - 1" T-Bar C2 - 9/16" T-Bar C3 - Screw Slot C4 - Hard Ceiling

³Contact factory for switching options
⁴Contact factory for compatible driver options not listed above
⁵B & V outputs only
⁶3ft & 4ft only
⁷For Pendant only
⁸For Recessed only
⁹For Pendant and SM only

OTHER FEATURES

Finish	Emergency Style (Optional)	Special Options ¹⁰ (Optional)
SW - Signal White RAL - RAL Color Code _____	EM/GEN - Emergency to Generator	CP - Chicago Plenum ¹⁰ For Recessed only

Submitted by:		Date:
Type:	Project:	
Ordering Info:		

High Performance 4" Aperture Circle (HP-4 C)

SPECIFICATIONS

BODY TYPE

CONSTRUCTION: Precision-cut 6063-T4 extruded aluminum with 16 gauge steel assembly body.

SIZES: Circles are available in nominal diameters of 2', 3' and 4'.

ARRAY TYPE

LIGHT OUTPUT: Four lumen packages available, Standard (**S**), Boosted Standard (**B**), High (**H**), and Very High (**V**). A separate chart summarizes lumen distribution and wattage. Light engines are replaceable.

MECHANICAL FEATURES

DOWNLIGHT DIFFUSER: Single piece, seamless lens. Flush frost white snap-in lens standard, 80% transmissive, 99% diffusion.

LUMEN MAINTENANCE: 90% of initial light output (L90) at 100,000+ hours; 70% of initial light output (L70) at 200,000+ hours.

REFLECTORS: Die-formed 20-gauge cold-rolled steel reflectors finished in 96LG High Reflectance white power coat paint.

ELECTRICAL FEATURES

STATIC FEED: Standard with one 18-gauge/5-conductor single-circuit feed.

TUNABLE WHITE FEED: Standard with one 18-gauge/5-conductor single-circuit feed. DMX and power feed at same location (standard). DMX feeds cannot be cut or spliced. DMX feeds should be ordered based on fixed lengths.

STATIC DRIVER: Replaceable 120V/277V Constant Current Reduction dimming driver standard. Can be wired dimming or non-dimming. 0-10V dimming controls with a range of 10%- 100% standard. Dimming to 1% available. Driver is fully accessible from below the ceiling. Power Factor: ≥ 0.9 . Total Harmonic Distortion (THD) $< 20\%$. Expected driver lifetime: 100,000 hours.

LUTRON STATIC DRIVER OPTIONS ¹:

LUTES1 (Hi-lume 1% EcoSystem with Soft-On, Fade to Black dimming (LDE1 series)); **LUTES5** (5-Series 5% EcoSystem (LDE5 Series)); **LUT2W** (Hi-lume 1% 2-wire, 120V forward phase dimming (LTEA series)); Contact factory for availability of discontinued Lutron drivers, L3DA-3-wire and L3DA EcoSystem.

TUNABLE WHITE DRIVER: Replaceable LED driver. Driver is accessible from below the ceiling. 120V/277V. Power factor ≥ 0.90 . Total Harmonic Distortion (THD): $< 20\%$. Dimming Range: 100 - 1%. Expected driver lifetime: 100,000 hours.

LUTRON TUNABLE WHITE DRIVER

OPTION ¹: LUTDTW (1% T-Series 2-Channel Digital Tunable White (PSQ Series)).

MOUNTING TYPE

MOUNTING: Pendant 50" to 300" Fully Adjustable (**FA**) plated steel aircraft cable with safety stop hardware standard. Mounted with three equidistant vertical suspension cables. **Recessed Spackle Flange:** Drywall surfaces (walls or ceilings): 1/4 - 20 stud and nut (provided by others). Mounted with three equidistant suspension points. **Surface Mount:** Lay-in ceiling types: caddy clip with 1/4 - 20 stud and nut. Drywall or concrete surfaces (walls or ceilings): 1/4 - 20 stud and nut (provided by others). Mounted with three equidistant suspension points.

TUNABLE WHITE DMX MOUNTING: For grid ceiling applications the dual GridBox™ mounting is supplied (standard). For hard ceiling applications the ceiling mounting box is supplied (standard). DMX feeds cannot be cut or spliced. DMX feeds should be ordered based on fixed lengths. Available DMX pendant feed lengths are 5', 12', and 30' (5' standard).

TUNABLE WHITE DMX

INTERCONNECTION CABLES:

Luminaires are prewired with plug-and-play interconnection cables to support easy plug-together joining of fixture runs. If a non-FineTune DMX system has been specified, a DMX to RJ45 converter is provided.

OTHER FEATURES

ELECTRICAL: Optional emergency to generator/inverter wiring.

FINISHES: Finelite Signal White powder coat standard. Optional Adders: 185 non-metallic RAL colors.

TUNABLE WHITE ELECTRICAL:

- Emergency Option DALI: emergency-to-generator/ Inverter wiring

- Emergency Option LUTRON: emergency-to-generator/ inverter wiring

LABELS: Fixture and electrical components are ETL listed conforming to UL 1598 in the U.S.A. and CAN/CSA C22.2 No. 250.0 in Canada. In accordance with NEC Code 410.73 (G), this luminaire contains an internal driver disconnect. Damp Location. Finelite products use electronic components that are RoHS compliant, and the mechanical components of the luminaire have been verified to not knowingly contain any restricted substances listed per RoHS Directive 2011/65/EU.

WEIGHTS: Direct (pendant and surface mount): 2' = 37 lbs, 3' = 56 lbs, 4' = 76 lbs. Recessed (spackle flange): 2' = 40 lbs, 3' = 60 lbs, 4' = 82 lbs.

WARRANTY: 10-year performance-based warranty on all standard components. Optional accessories are covered by their individual manufacturer warranties.

Submitted by:		Date:
Type:	Project:	
Ordering Info:		

High Performance 4" Aperture Circle (HP-4 C)

Static White Photometry - 4' Circle

HP-4C-D-P-4'-V-835

Efficacy: 100 lm/W

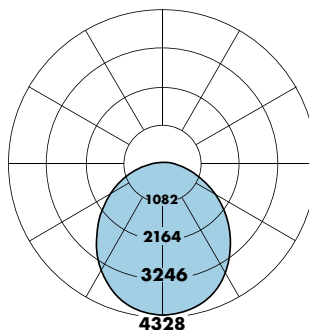
Total luminaire output: 11311 lumens
113 watts (9.0 watts/foot³)

Peak Candela Value: 1251 @ 0°

CRI: 80

CCT: 3500K

ITL LM79 Report 91221



	0.0	22.5	45.0	67.5	90.0	FLUX
0	1251	1251	1251	1251	1251	
5	1243	1244	1247	1249	1250	119
15	1187	1188	1204	1210	1210	338
25	1077	1082	1106	1116	1117	507
35	924	940	973	986	987	603
45	752	779	818	836	841	623
55	569	604	651	677	683	572
65	382	425	477	510	520	462
75	199	249	307	345	358	312
85	50	104	165	206	219	170
90	10	61	120	160	173	
95	8	57	111	147	159	109
105	6	48	96	127	138	91
115	5	39	82	109	118	72
125	4	30	66	89	97	53
135	3	21	50	69	76	35
145	2	12	32	50	55	19
155	1	5	17	30	34	8
165	1	1	6	11	15	2
175	0	0	0	0	0	0
180	0	0	0	0	0	0

Sample Lumen Adjustment Calculation

Lumen Adjustment Factors 80 CRI

3000K	0.985
3500K	1.000
4000K	1.032

Lumen Adjustment Factors 90 CRI

3000K	0.746
3500K	0.760
4000K	0.789

High Output (H), 2', 4000K, 90 CRI

Lumen Adjustment Factor: 0.789

Total Light Output: 4516 lm x 0.789 = 3563 lm

Total Light Output per Foot: 717 lm/ft x 0.789 = 566 lm/ft.

watts/foot: 7.1 W/ft.

$$\text{Efficacy} = \frac{566 \frac{\text{lm}}{\text{ft.}}}{7.1 \frac{\text{W}}{\text{ft.}}} = 80 \text{ lm/W}$$

Total Light Output, 3500K, 80 CRI (Lumens)

	S ¹	B ¹	H ¹	V ²
2'	2377	2988	4516	5806
3'	3934	4945	7474	9610
4'	4630	5821	8797	11311

Power, 3500K (Watts Per Foot)³

	S ¹	B ¹	H ¹	V ²
2'	3.6	4.6	7.1	9.2
3'	4.0	5.1	7.8	10.2
4'	3.5	4.5	6.9	9.0

Efficacy, 3500K, 80 CRI (Lumens Per Watt)

	S ¹	B ¹	H ¹	V ²
2'	105	104	101	100
3'	105	104	101	100
4'	105	104	101	100

S - Standard Output, B - Boosted Standard Output, H - High Output, V - Very High Output

¹ Family Correlation based on 4' Circle, 3500K, Very High Output (V) test - 120V.

² Based on ITL report: 91221

³ Watts per foot calculated using approximate outer circumferences of 6.3', 9.4', & 12.6' respectively for 2', 3', & 4' circles

Protected by one or more US Patents: 8915613; D702,391; D702,390; D700,732

Page 4

Submitted by:		Date:
Type:	Project:	
Ordering Info:		

0-10V Tunable White

Finelite's award-winning, contractor friendly Tunable White luminaires are available with low cost, powerful, and simple 0-10V tuning and intensity controls.

TUNABLE WHITE FEATURES

- CCT range: 2700K - 6500K
- Dimming Range: 100% to 10%
- CRI Options: 80 CRI or 90 CRI

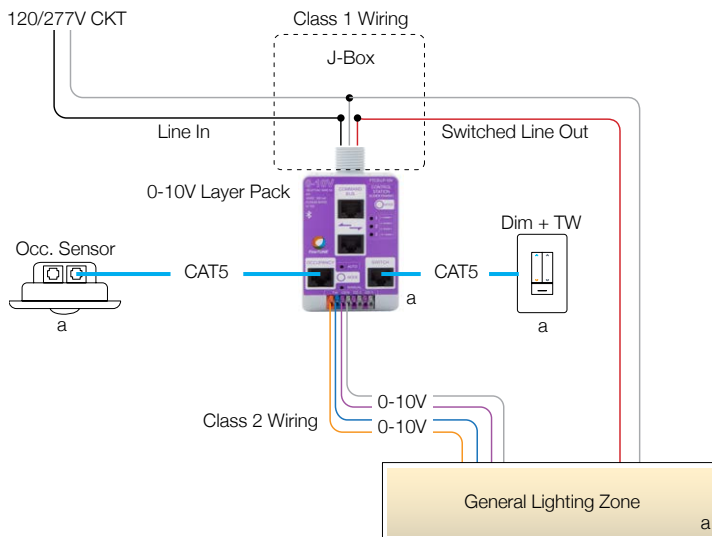
PHOTOMETRY

Apply a power adjustment factor to calculate wattage usage

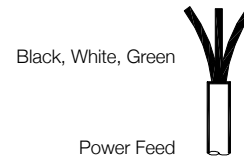
POWER	CONVERSION FACTOR
	1.1X

(Example: a 50 watt luminaire in static white would draw 55 watts using 0-10V Tunable White)

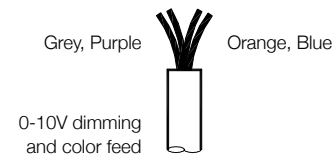
WIRING DIAGRAM - DIMMABLE TO 10%



DUAL FEED DETAIL



WIRING LEGEND		
Black	Hot	Line Voltage
White	Neutral	Line Voltage
Green	Ground	



WIRING LEGEND		
Grey	Dimming	0-10V DC
Purple	Dimming	0-10V DC
Orange	TW	0-10V DC
Blue	TW	0-10V DC

Luminaire Wiring

- **Purple (+) / Gray (-)** control wires are for intensity control
- **Orange (+) / Blue (-)** control wires are for Tunable White control

Note:

Switched Load or Dim to Off options available.

