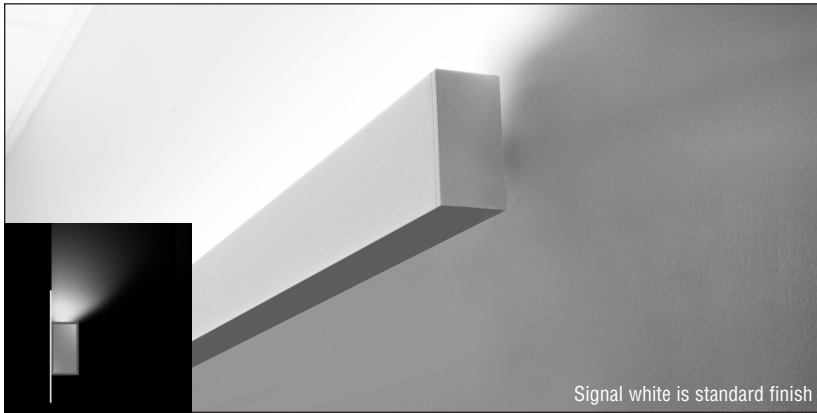


FINELITE High Performance 2" Aperture (HP-2) - Wall Mount Indirect



Signal white is standard finish

Date

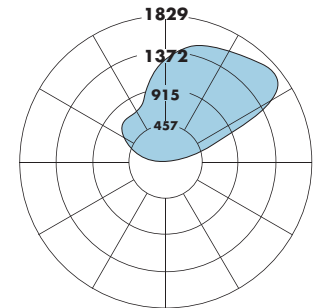
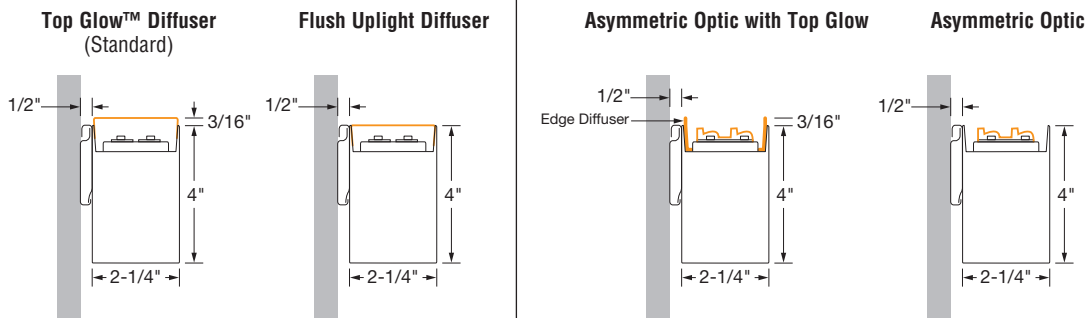
Project

Type

Comments

DESCRIPTION

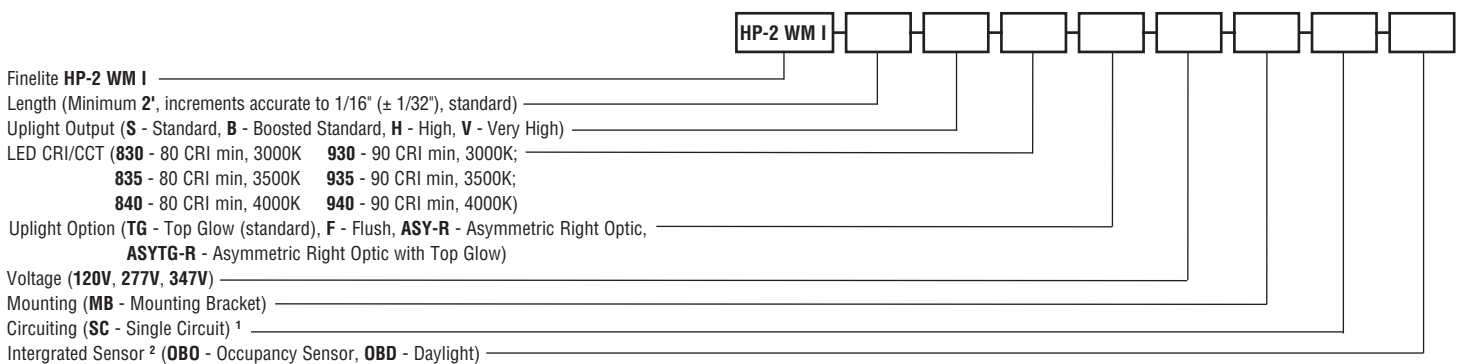
High Performance 2" Aperture Wall Mount Indirect (HP-2 WM-I) is a patented, linear LED luminaire with Flush and Top Glow™ options for the uplight. The micro shape delivers excellent performance using an advanced optical design and mid-power LEDs to achieve 90% of initial light output at 100,000 hours.



DIMENSIONS & DIFFUSER

Patented, standard Top Glow diffuser provides an added architectural element.

ORDERING GUIDE: Sample Number: HP-2 WM I - 32' - S - 835 - TG - 120V - MB - SC - OBO



¹ Contact factory for switching options.

² Available with Flush (F)

Protected by one or more US Patents: 8915613; D702,391; D702,390; D700,732; D727,554 S; D727,550 S, D727,551 S

A brand of LeGrand

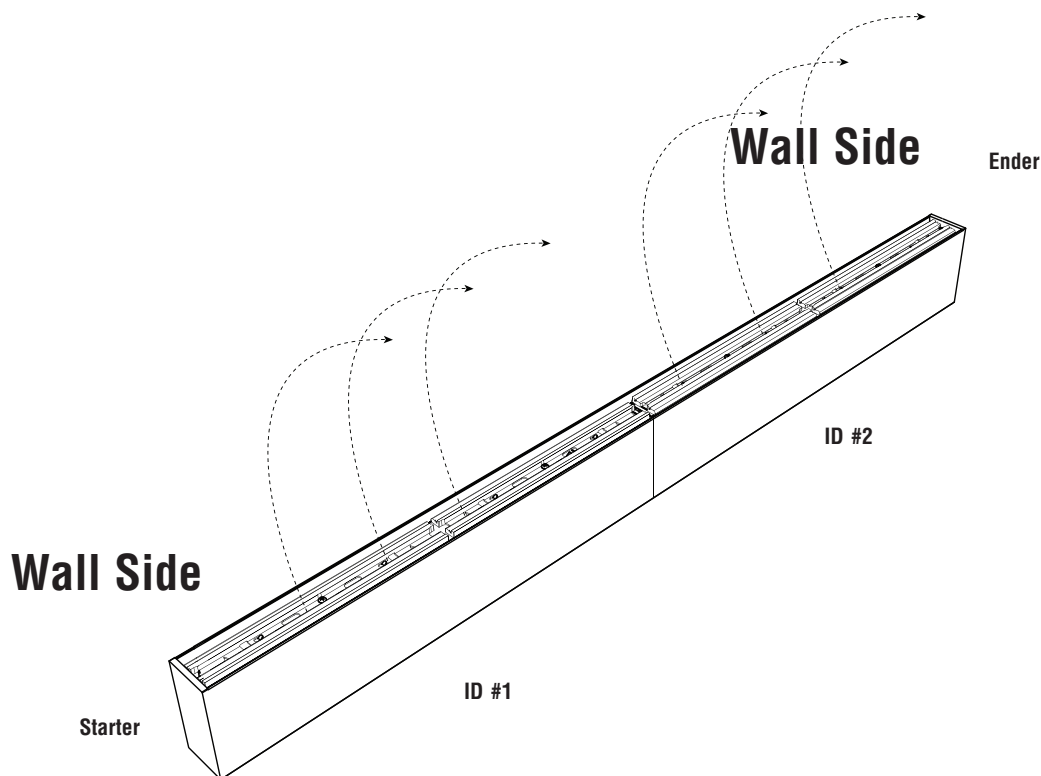
Finelite, Inc. • 30500 Whipple Road • Union City, CA 94587-1530 • (510) 441-1100 • Fax: (510) 441-1510 • www.finelite.com

FINELITE High Performance 2" Aperture (HP-2) - Wall Mount Indirect

ASYMMETRIC

Use this tool to understand how to specify Asymmetric for your project. The diagram below shows a linear run from power feed to end. Specify ASY-R to distribute it right.

Asymmetric Right Optic (ASY-R)



FINELITE High Performance 2" Aperture (HP-2) - Wall Mount Indirect

PHOTOMETRY

HP-2-I-835-V-F

Very High Output - 4' Luminaire

Efficacy: 102 lumens per watt

Total luminaire output: 3749 lumens (937 lumens/foot)

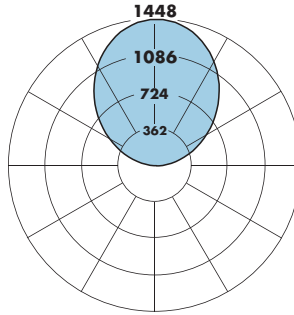
36.7 watts (9.2 watts/foot)

Peak Candela Value: 1448 @ 180°

CRI: 80

CCT: 3500K

ITL LM79 Report 85134



CANDELA DISTRIBUTION						
	0.0	22.5	45	67.5	90	Flux
90	0	0	0	0	0	
95	72	73	73	72	72	80
105	245	243	240	236	237	254
115	439	436	433	424	422	427
125	651	644	642	633	632	573
135	868	856	859	849	846	660
145	1074	1061	1062	1056	1051	663
155	1249	1235	1241	1235	1229	570
165	1374	1366	1370	1367	1365	386
175	1439	1439	1439	1439	1439	136
180	1448	1448	1448	1448	1448	

Total Light Output, 3500K, 80 CRI (Lumens) - 4' Luminaire			
S*	B*	H*	V**
1535	1929	2916	3749

Light Output, 3500K, 80 CRI (Lumens Per Foot)			
S*	B*	H*	V**
384	482	729	937

Power, 3500K, 80 CRI (Watts Per Foot)			
S*	B*	H*	V**
3.6	4.6	7.0	9.2

Efficacy, 3500K, 80 CRI (Lumens Per Watt)			
S*	B*	H*	V**
107	106	104	102

S - Standard Output, B - Boosted Standard Output, H - High Output, V - Very High Output

* Family Correlation based on 4' luminaire 3500K Very High Output (V) test - 120V.

** Based on ITL report: 85134

Lumen Adjustment Factors - 80 CRI	
3000K	0.985
3500K	1.000
4000K	1.032

Lumen Adjustment Factors - 90 CRI	
3000K	0.746
3500K	0.760
4000K	0.789

Apply a lumen adjustment factor to calculate lumens for the desired CCT and CRI.

SAMPLE LUMEN ADJUSTMENT CALCULATION

High Output (H), 4000K, 90 CRI

Lumen Adjustment Factor = 0.789

$$\text{Total Light Output} = 2916 \text{ lm} \times 0.789 = 2301 \text{ lm}$$

$$\text{Total Light Output per Foot} = 729 \text{ lm/ft} \times 0.789 = 575 \text{ lm/ft}$$

$$\text{watts/foot} = 7.0 \text{ W/ft}$$

$$\text{Efficacy} = \frac{575 \frac{\text{lm}}{\text{ft}}}{7.0 \frac{\text{W}}{\text{ft}}} = 82.1 \text{ lm/W}$$

FINELITE High Performance 2" Aperture (HP-2) - Wall Mount Indirect

PHOTOMETRY - ASYMMETRIC OPTIC (ASY)

HP-2-WM-I-V-835-ASY-R

Very High Output - 4' Luminaire

Efficacy: 117 lumens per watt

Total Luminaire Output: 4301 lumens (1075 lumens/foot)

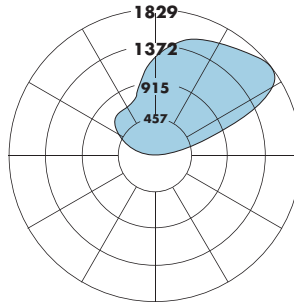
36.8 watts (9.2 watts/foot)

CRI: 80

CCT: 3500K

ITL LM79 Report 89599.600

(Family correlated file)



CANDELA DISTRIBUTION

	0.0	45.0	90.0	135.0	180.0	Flux
90	0	23	0	20	27	2
95	156	143	59	82	79	120
105	513	615	209	253	262	397
115	1389	1126	367	406	439	684
125	1821	1266	532	519	597	785
135	1760	1310	699	591	689	738
145	1654	1364	868	650	691	636
155	1583	1408	1027	735	702	498
165	1493	1379	1149	925	836	326
175	1318	1285	1214	1143	1108	115
180	1222	1222	1222	1222	1222	

Total Light Output, 3500K, 80 CRI (Lumens) - 4' Luminaire

S*	B*	H*	V**
1761	2213	3345	4301

Light Output, 3500K, 80 CRI (Lumens Per Foot)

S*	B*	H*	V**
440	553	836	1075

Power, 3500K, 80 CRI (Watts Per Foot)

S*	B*	H*	V**
3.6	4.6	7.0	9.2

Efficacy, 3500K, 80 CRI (Lumens Per Watt)

S*	B*	H*	V**
122	121	119	117

S - Standard Output, B - Boosted Standard Output, H - High Output, V - Very High Output

* Family Correlation based on 4' luminaire 3500K Very High Output (V) test - 120V.

** Based on ITL report: 89599

Lumen Adjustment Factors - 80 CRI

3000K	0.985
3500K	1.000
4000K	1.032

Lumen Adjustment Factors - 90 CRI

3000K	0.746
3500K	0.760
4000K	0.789

Apply a lumen adjustment factor to calculate lumens for the desired CCT and CRI.

SAMPLE LUMEN ADJUSTMENT CALCULATION

High Output (H), 4000K, 90CRI

Lumen Adjustment Factor = 0.789

$$\text{Total Light Output} = 3345 \text{ lm} \times 0.789 = 2639 \text{ lm}$$

$$\text{Total Light Output per Foot} = 836 \text{ lm/ft} \times 0.789 = 660 \text{ lm/ft}$$

$$\text{watts/foot} = 7.0 \text{ W/ft}$$

$$\text{Efficacy} = \frac{660 \frac{\text{lm}}{\text{ft}}}{7.0 \frac{\text{W}}{\text{ft}}} = 94 \text{ lm/W}$$



FINELITE High Performance 2" Aperture (HP-2) - Wall Mount Indirect

SPECIFICATIONS

CONSTRUCTION: Precision-cut 6061-T6 extruded aluminum body. Internal joiner system, plug-together wiring, standard.

ENDCAPS: Flat diecast aluminum endcaps add 1/4" to each end of luminaire.

MITERED CORNERS: Illuminated 90° corners in a single plane with Top Glow™ and Flush uplight diffuser options. Custom angles are available (90° minimum on inside corners). Contact factory.

REFLECTORS: Die-formed 24-gauge cold-rolled steel reflectors are finished in 96 LG high reflectance matte white powder coat paint.

UPLIGHT OPTION: Patented Top Glow frost white diffuser standard. 12 ft. maximum diffuser length. 73% transmissive, 99% diffusion. Internal secondary diffusers at corners ensure visually seamless, uniform, continuous illumination. Optional: Flush frost white snap-in diffuser, 73% transmissive, 99% diffusion; Asymmetric optic directs light in a specific direction. **ASY-R** distributed light to the right of the luminaire. See page 2.

LIGHT OUTPUT: Four lumen packages available, Standard (**S**), Boosted Standard (**B**), High (**H**), and Very High (**V**). A separate chart summarizes lumen distribution and wattage. Light engines are replaceable.

LUMEN MAINTENANCE: 90% of initial light output (L90) at 100,000+ hours; 70% of initial light output (L70) at 200,000+ hours.

DRIVER: Replaceable 120V/277V and 347V Constant Current Reduction dimming driver standard. Can be wired dimming or non-dimming. 0-10V dimming controls with a range of 10%-100%. Dimming to 1% available; consult factory. Driver is fully accessible from below the ceiling. Power Factor: ≥0.9. Total Harmonic Distortion (THD) <20%. Expected driver lifetime: 100,000 hours. Dali driver also available; Contact factory.

LUTRON DRIVER OPTIONS: **LUTES1** (Hi-lume 1% EcoSystem with Soft-On, Fade to Black dimming (LDE1 series)); **LUTES5** (5-Series 5% EcoSystem (LDE5 Series)), **LUT2W** (Hi-lume 1% 2-wire, 120V forward phase dimming (LTEA series)); Contact factory for availability of discontinued Lutron drivers, L3DA-3-wire and L3DA EcoSystem.

ELECTRICAL: Optional emergency to generator/inverter wiring, internal generator transfer switch, nightlight wiring, step-dimming driver, backup battery. Factory-choice low-profile backup battery available. 8' minimum luminaire length for low profile battery pack. Backup batteries deliver 1874 lumens. Half of a 4' section will be illuminated in emergency mode.

INTEGRATED SENSORS: Integrated PIR (Passive Infrared) occupancy and/or daylight sensors available. Refer to Occupancy Sensor and Daylight Sensor tech sheets for more info.

MOUNTING: Luminaire hangs securely from mounting brackets fastened directly to the wall for easy installation. Luminaire stands 1/2" off the wall. The mounting bracket is concealed behind the luminaire.

FINISHES: Finelite Signal White powder coat standard. Optional Adders: 185 Tiger Drylac RAL colors.

FEED: Standard with one 18-gauge/5-conductor single-circuit feed. 14-gauge feed used when luminaire current exceeds 5 amps. Optional 6' flex conduit whips available.

LENGTHS: Any length, 2-foot minimum, in increments down to 1/16" (± 1/32"). 12-foot maximum section length.

LABELS: Fixture and electrical components are ETL-listed conforming to UL 1598 in the U.S.A. and CAN/CSA C22.2 No. 250.0 in Canada. In accordance with NEC Code 410.130 (G), this luminaire contains an internal driver disconnect. Damp Location. Finelite products use electronic components that are RoHS compliant, and the mechanical components of the luminaire have been verified to not knowingly contain any restricted substances listed per RoHS Directive 2011/65/EU.

WEIGHT: 2.3 lb/ft.

WARRANTY: 10-year performance-based warranty on all standard components. Optional accessories such as emergency battery packs are covered by their individual manufacturer warranties.