

PRODUCT SPECIFICATIONS



- Fire-rated & sound-rated, cost-effective LED recessed lighting
- Twist & Lock feature for easy trim installation
- 750 & 1000 lumen outputs
- 2700K, 3000K, 3500K, 4000K CCT
- Flicker-free TRIAC/ELV, 0-10V, or EcoSystem® dimming
- 50,000 hr lifetime at 70% lumen maintenance
- 5 year limited warranty



Frame-in Kit

JUNCTION BOX: Fire-resistant rated for up to 2 hours in floor-ceiling and roof-ceiling assemblies per UL 514A and ANSI/UL 263. Equipped with (4) 1/2" trade size knockouts (two side, two top) to allow straight conduit runs. Approved for 8 (four in, four out) #12 AWG 90°C through wiring conductors.

MOUNTING: Pre-installed mounting brackets allow vertical adjustment of bar hangers up to 1".

CEILING: 1/2" up to 1 1/4".

CUTOUT: 3 7/8" square.

Light Engine

LED: Tightly binned, high performing white Cree® LEDs enable excellent fixture to fixture color consistency and long lifetime. Delivers 93+ CRI in all available color temperatures.

BINNING: Color variation within 2-step MacAdam ellipse.

CONNECTOR: IDEAL PowerPlug® Luminaire Disconnect, female.

DRIVER: Integral electronic driver for 120/277V 50/60Hz operation. Electronic driver compatible with forward and reverse phase-control dimming at 120V only.

SYSTEM POWER CONSUMPTION: 11.8W (750 lm module), 14.7W (1000 lm module).

DIMMING: TRIAC/ELV dimming standard for 120V only, with flicker-free dimming to less than 5% of total lumen output.

RATED LED LIFE: 50,000 hours at 70% lumen maintenance, based on IESNA LM 80-2008 standard (L70, B50).

PHOTOMETRIC TESTING: Tested in accordance to IESNA LM-79-2008.

LISTINGS: IC rated (750 lm module). cULus Listed. ENERGY STAR® qualified. Title 24 compliant. ASTM E283 certified Air Tight. UL 514A certified and ANSI/UL 263 compliant for up to 2 hour fire-resistant rating. UL Listed for Wet Location. CEC listed.

WARRANTY: 5 year limited warranty.

Trim

CONSTRUCTION: Die-cast aluminum. Twist & Lock mounting allows easy field installation and tight ceiling fit.

Product Code:		Type:	
Project:	Contact:	Date:	



PRODUCT SELECTION GUIDE

FRAME-IN KIT

Product Code Example: **DRDHNJ**

PRODUCT CODE	APPLICATION	APERTURE
DRDH Housing	N New Construction	J Junction Box

LIGHT ENGINE

Product Code Example: **DRD2M7927**

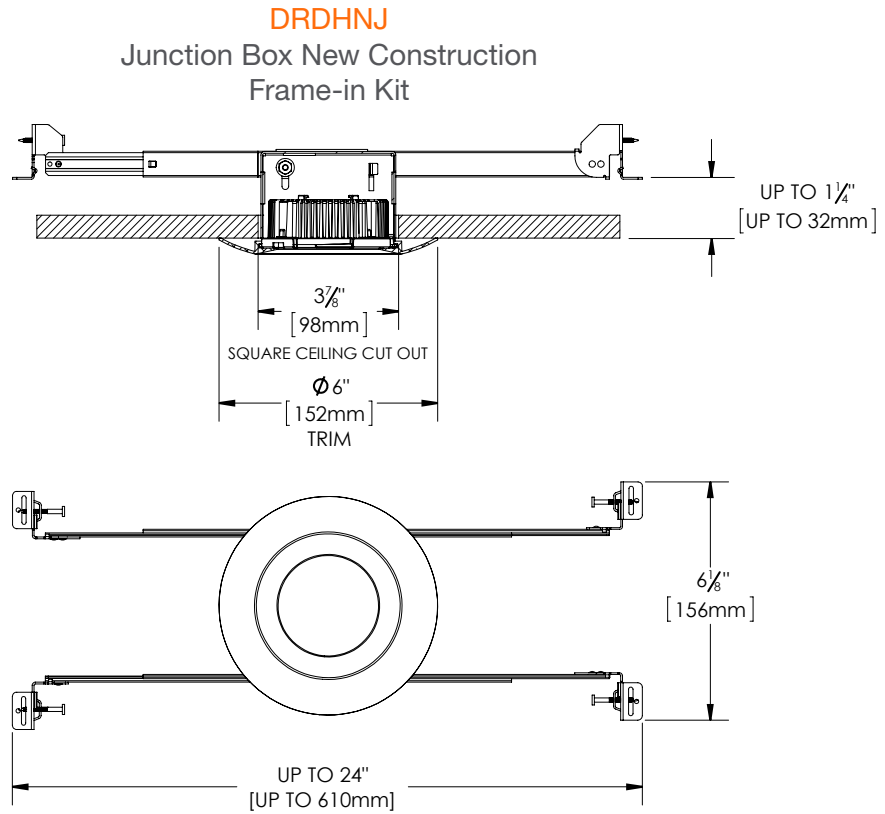
PRODUCT CODE	LUMENS (WATTS)	CRI	CCT
DRD2M Module	7 750 lm (11.8W)	9 93+ CRI	27 2700K
	10 1000 lm (14.7W) Non-IC applications only		30 3000K
			35 3500K
			40 4000K

TRIM

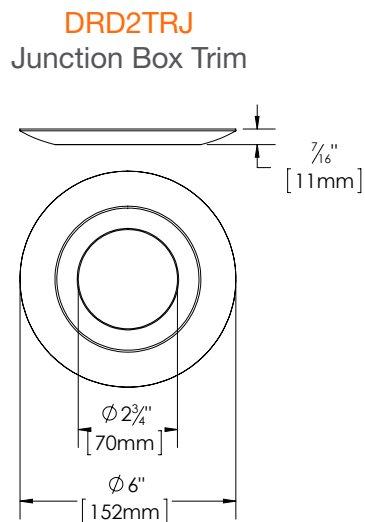
Product Code Example: **DRD2TRJSWH**

PRODUCT CODE	SHAPE	APERTURE	STYLE	FINISH
DRD2T Trim	R Round	J Junction Box	S Smooth	WH White

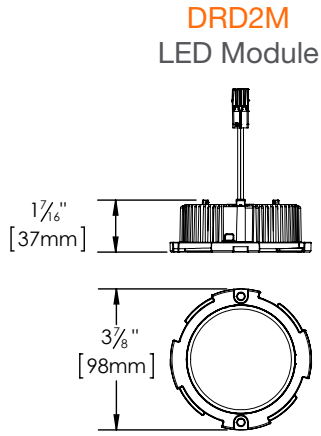
FRAME-IN KIT DIMENSIONS



TRIM DIMENSIONS



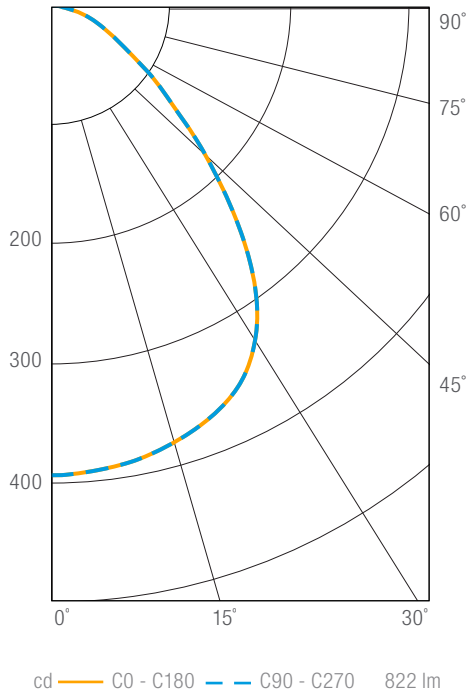
LIGHT ENGINE OVERVIEW



	DRD2M7	DRD2M10
Delivered Lumen Output (lm)	750	1000
Rated Power (W)	11.8	14.7
Efficacy (lm/W)	64	68
Color Consistency	2-step SDCM	
CCT Options	2700K, 3000K, 3500K, 4000K	
Color Rendering Index	93+	
CRI /R9	60	
Lifetime (L70)	50,000	
Max Ambient Operating Temperature	40°C	
Input Voltage (V)	120/277V, 50/60Hz	
Input Current at 120V (Max)	0.10A	0.13A
Input Current at 277V (Max)	0.042A	0.053A
Power Factor	>0.9	
Total Harmonic Distortion	<20%	
Dimming	100% - 5%	

PHOTOMETRICS

Light Engine: **DRD2M7930** (DRD2 Module, 750 lm, 93 CRI, 3000K)
Trim: **DRD2TRJSWH** (DRD2 Trim, Junction Box, Smooth, White)



Luminous Intensity

Gamma	C 0°
0.0°	393
5.0°	391
10.0°	388
15.0°	381
20.0°	372
25.0°	360
30.0°	338
35.0°	301
40.0°	248
45.0°	190
50.0°	140
55.0°	101
60.0°	73
65.0°	54
70.0°	39
75.0°	25
80.0°	11
85.0°	0
90.0°	0

Values in candela

Zonal Lumen Summary

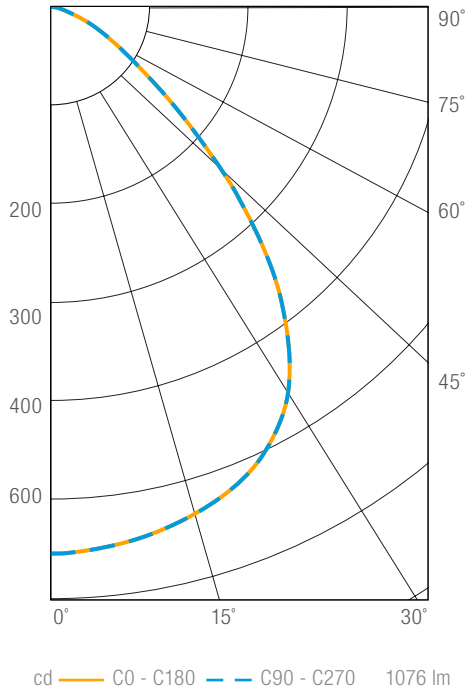
Zone	Lumens	Luminaire %
0-30	310	38%
0-40	496	60%
0-60	738	90%
0-90	822	100%
0-180	822	100%

Single Luminaire Illuminance Chart

Distance	Foot Candles	Diameter
2.5'	63	4.9'
5.0'	16	10.0'
7.5'	7	14.7'
9.0'	5	17.6'

Beam Angle: 88°

Light Engine: **DRD2M10930** (DRD2 Module, 1000 lm, 93 CRI, 3000K)
Trim: **DRD2TRJSWH** (DRD2 Trim, Junction Box, Smooth, White)



Luminous Intensity

Gamma	C 0°
0.0°	554
5.0°	551
10.0°	545
15.0°	536
20.0°	523
25.0°	504
30.0°	473
35.0°	422
40.0°	350
45.0°	262
50.0°	177
55.0°	115
60.0°	76
65.0°	49
70.0°	27
75.0°	13
80.0°	6
85.0°	2
90.0°	0

Values in candela

Zonal Lumen Summary

Zone	Lumens	Luminaire %
0-30	435	41%
0-40	697	65%
0-60	1007	94%
0-90	1076	100%
0-180	1076	100%

Single Luminaire Illuminance Chart

Distance	Foot Candles	Diameter
2.5'	89	4.9'
5.0'	22	9.7'
7.5'	10	14.6'
9.0'	7	17.5'

Beam Angle: 88°

DIMMER COMPATIBILITY

Recommended Phase-control Dimmers (Dims down to less than 5% nominal measured light output)

Brand	Series	Model Number	Max # - load DRD2M7xx	Max # - load DRD2M10xx
Control 4	Control 4	C4-APD120	10	9
Cooper	Decorator	DLC03P, DAL06P	25	20
Legrand	Adorne	ADPD703TU	35	30
Lutron	Caseta	PD-6WCL	12	10
	CL series	AYCL-153, CTCL-153, DVCL-153, LGCL-153, SCL-153, TGCL-153	12	10
	CL series	AYCL-253, DVCL-253	20	15
	Grafik Eye 3000	QSGR-3P	30	25
	Grafik Sys/Homeworks	LP-RPM-4U	30	25
	Grafik Sys/Homeworks	LP-RPM-4A	25	20
	Maestro CL	MACL-153M, MSCL-OP153M, MSCL-VP153M	12	10
Maestro Wireless	MRF2-6ELV, MRF2-6CL	12	10	

 Compatible Phase-control Dimmers¹ (Dims down to less than 20% nominal measured light output)

Brand	Series	Model Number	Max # - load DRD2M7xx	Max # - load DRD2M10xx
Cooper	Slide	SLC03P, SAL06P	25	20
Legrand	Harmony	H703PTU, HCL453P	30	25
Leviton	IlumaTech Slide	IPE04	25	20
Lutron	SureSlide	6621, 6674	10	10
	Diva	DV-600	12	10
	Maestro	MA-600	12	9
	Maestro ELV	MAELV-600, MSCELV-600	35	30
	Maestro Wireless	MRF2-6ND	12	10
	Radio RA	RRD-6NA, RRD-6CL, RRD-6D	12	10
	Skylark	S-600, SLV-600	35	30
	Skylark	S-1000	20	18
	Skylark ELV	SELV-300	25	20
	Ariadni/Toggler	AY-603, TG-603	12	10
Power Booster	PHPM-PA/PHPM-WBX	25	20	
Lightolier	Sunrise	SR400RPC120, ZP260QEW	20	15
Watt Stopper	Dimming Sensor	PW-100D	14	12

¹ Dimmer compatibility reflects performance compatibility only. Please reference your local codes for application.