

PRODUCT SPECIFICATIONS



- Maximum installation compatibility
- Twist & Lock feature for easy trim installation
- 750 & 1000 lumen outputs
- 2700K, 3000K, 3500K, 4000K CCT
- Flicker-free TRIAC/ELV, 0-10V, or EcoSystem® dimming
- 50,000 hr lifetime at 70% lumen maintenance
- 5 year limited warranty



Frame-in Kit

MOUNTING FRAME: Die-formed sheet metal.

JUNCTION BOX: Galvanized steel. Equipped with (4) 1/2" and (2) 3/4" knockouts with pryout slots to allow straight conduit runs. Junction box tension spring allows snap-in installations of plate cover for easy access to wiring. Approved for 8 (four-in, four-out) #12 AWG 90 through wire conductors.

MOUNTING: 4 tempered steel spring clips to secure housing to existing ceiling.

CEILING: 1/2" up to 1".

CUTOUT: 6 5/8" (6" frame-in kit), 8 1/16" (8" frame-in kit).

Light Engine

LED: Tightly binned, high performing white Cree® LEDs enable excellent fixture to fixture color consistency and long lifetime. Delivers 93+ CRI in all available color temperatures.

BINNING: Color variation within 2-step MacAdam ellipse.

CONNECTOR: IDEAL PowerPlug® Luminaire Disconnect, female. Alternate module construction with 0-10V, EcoSystem® dimming uses a IDEAL PowerPlug® Model 102 connector.

DRIVER: Integral electronic driver for 120/277V 50/60Hz operation. Electronic driver compatible with forward and reverse phase-control dimming at 120V only.

SYSTEM POWER CONSUMPTION: 11.8W (750 lm module), 14.7W (1000 lm module).

DIMMING: TRIAC/ELV dimming standard for 120V only, with flicker-free dimming to less than 5% of total lumen output. Optional 0-10V or EcoSystem® dimming available for 120/277V.

RATED LED LIFE: 50,000 hours at 70% lumen maintenance, based on IESNA LM 80-2008 standard (L70, B50).

PHOTOMETRIC TESTING: Tested in accordance to IESNA LM-79-2008.

LISTINGS: cULus Listed. ENERGY STAR® qualified. Title 24 compliant. UL Listed for Wet Location. CEC listed.

WARRANTY: 5 year limited warranty.

Trim

CONSTRUCTION: Self flanged, spun aluminum reflector.

FINISHES: White or Alzak® low iridescent reflector with white flange.

Product Code:		Type:	
Project:	Contact:	Date:	



PRODUCT SELECTION GUIDE

FRAME-IN KIT

Product Code Example: **DCDHR6**

PRODUCT CODE	APPLICATION	APERTURE	DIMMING
DCDH Housing	R Remodel	6 6" Aperture	[Blank] TRIAC Dimming (Standard)
		8 8" Aperture	70 0-10V Dimming 750 lm
			100 0-10V Dimming 1000 lm
			7C EcoSystem® Dimming 750 lm
			10C EcoSystem® Dimming 1000 lm

LIGHT ENGINE

Product Code Example: **DRD2M7927**

PRODUCT CODE	LUMENS (WATTS)	CRI	CCT	OPTION
DRD2M Module	7 750 lm (11.8W) 10 1000 lm (14.7W)	9 93+ CRI	27 2700K	A Alternate Construction Uses an IDEAL Model 102 connector for alternate dimming option compatibility; Must be selected if alternate dimming option is selected for frame-in kit
			30 3000K	
			35 3500K	
			40 4000K	

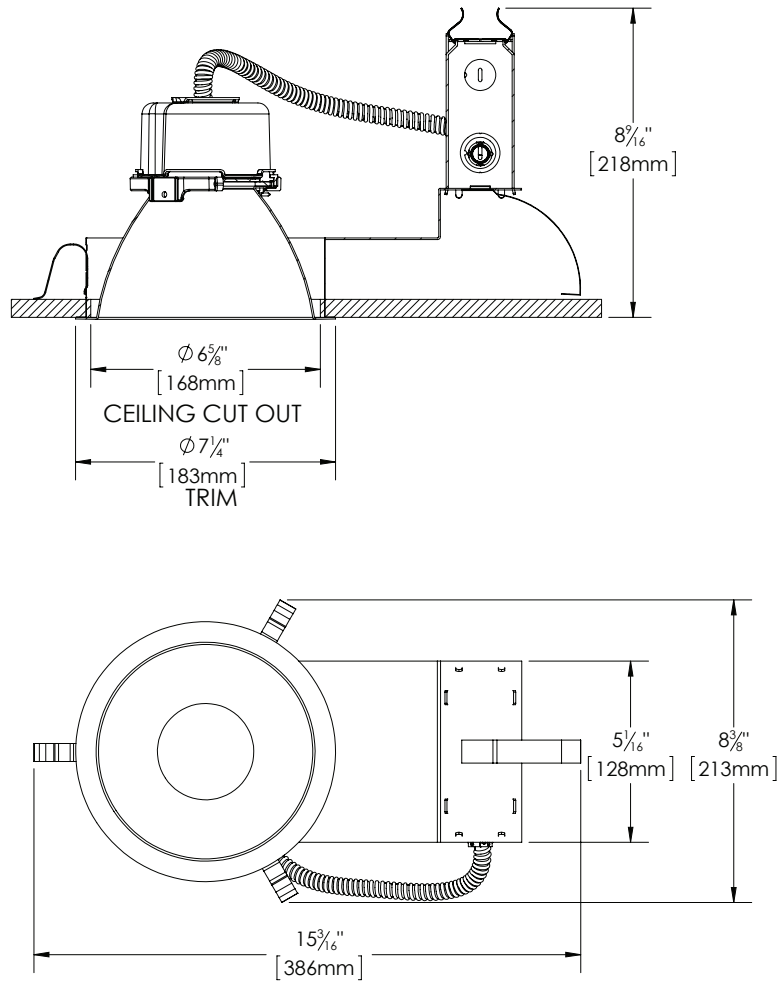
TRIM

Product Code Example: **DCD2TR6SWH**

PRODUCT CODE	SHAPE	APERTURE	STYLE	FINISH
DCD2T Trim	R Round	6 6" Aperture	S Smooth	WH White
		8 8" Aperture		AZ Low Iridescent Reflector, White Flange
				CC Custom

FRAME-IN KIT DIMENSIONS

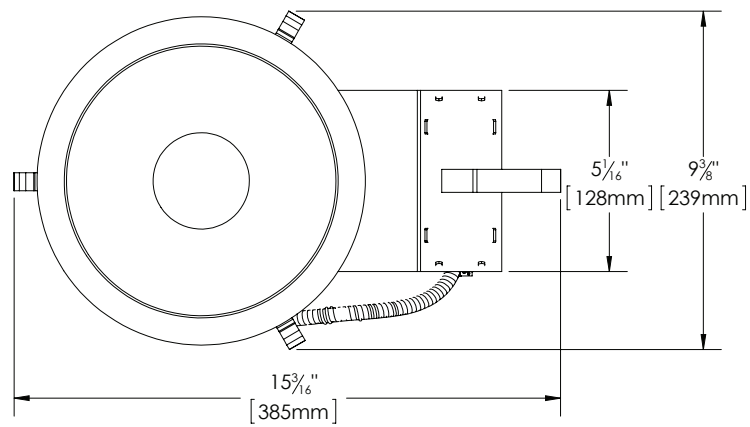
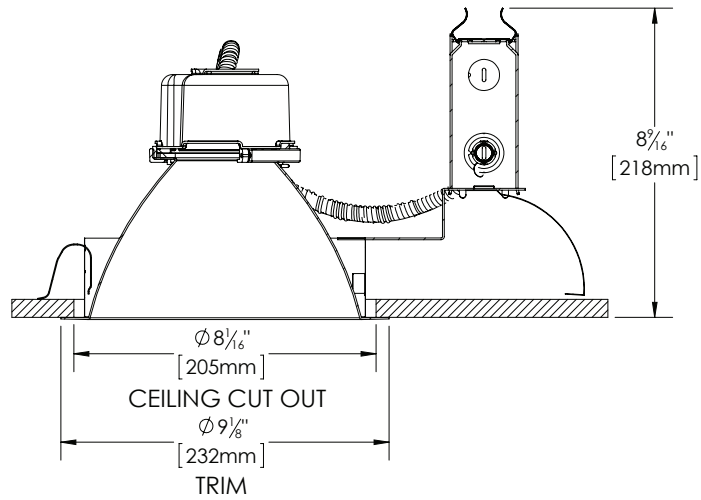
DCDHR6
6" Commercial Remodel Frame-in Kit



FRAME-IN KIT DIMENSIONS

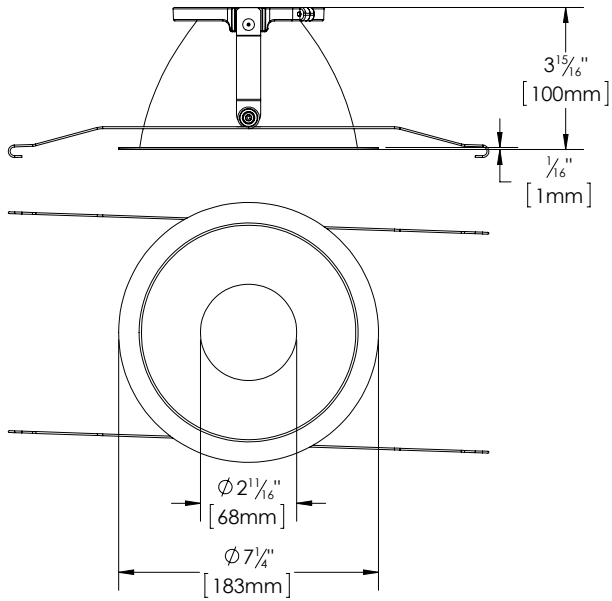
DCDHR8

8" Commercial Remodel Frame-in Kit

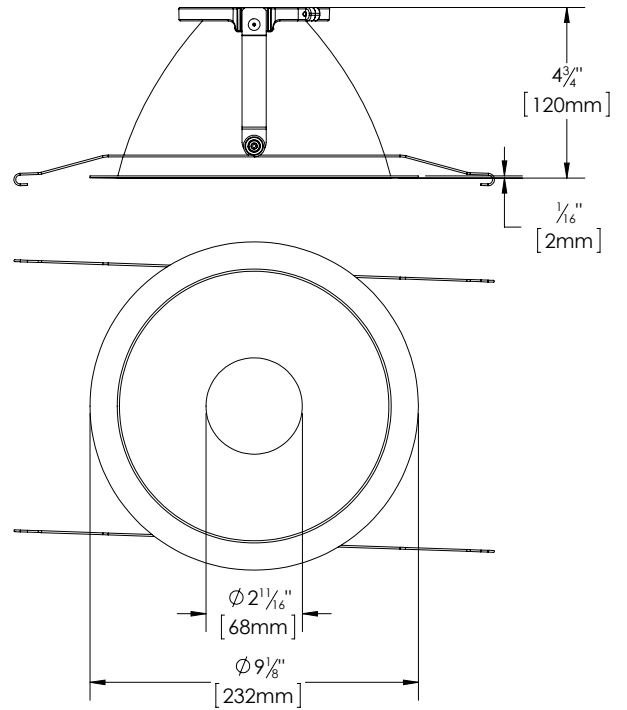


TRIM DIMENSIONS

DCD2TR6
6" Commercial Trim

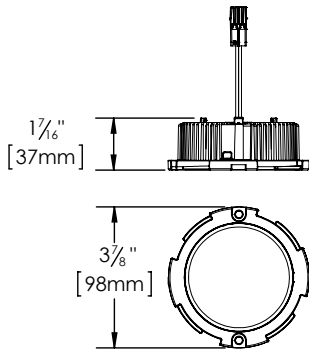


DCD2TR8
8" Commercial Trim



LIGHT ENGINE OVERVIEW

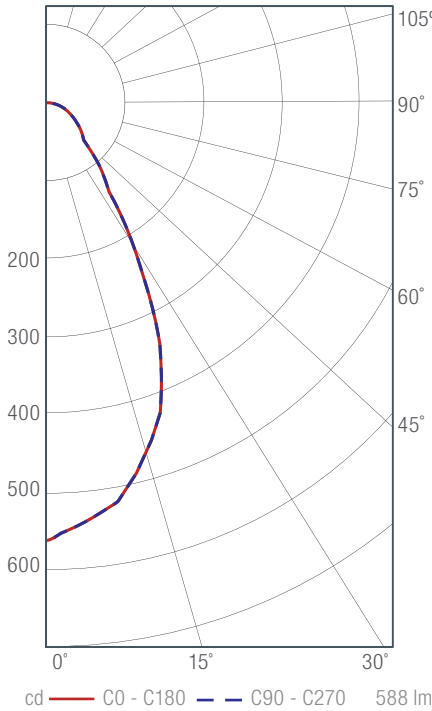
DRD2M
LED Module



	DRD2M7	DRD2M10
Delivered Lumen Output (lm)	750	1000
Rated Power (W)	11.8	14.7
Efficacy (lm/W)	64	68
Color Consistency	2-step SDCM	
CCT Options	2700K, 3000K, 3500K, 4000K	
Color Rendering Index	93+	
CRI /R9	60	
Lifetime (L70)	50,000	
Max Ambient Operating Temperature	40°C	
Input Voltage (V)	120/277V, 50/60Hz	
Input Current at 120V (Max)	0.10A	0.13A
Input Current at 277V (Max)	0.042A	0.053A
Power Factor	>0.9	
Total Harmonic Distortion	<20%	
Dimming	100%-10%	

PHOTOMETRICS

Light Engine: **DRD2M7930** (DRD2 Module, 750 lm, 93 CRI, 3000K)
Trim: **DCD2TR6SWH** (DCD2 Trim, 6" Aperture, Smooth, White)



Luminous Intensity

Gamma	C 0°
0.0°	960
5.0°	924
10.0°	888
15.0°	812
20.0°	723
25.0°	585
30.0°	396
35.0°	239
40.0°	176
45.0°	113
50.0°	96
55.0°	80
60.0°	66
65.0°	53
70.0°	41
75.0°	30
80.0°	20
85.0°	12
90.0°	4

Values in candela

Application Reference

LED Module	Flux (lm)	Power (W)	Downlight Spacing (ft)	Average Illuminance (fcd)	Max/Min	LPD (W/sq ft)
DRD2M7	588	11.8	4x4	47	1.23	0.72
			6x6	18	1.31	0.38
			8x8	9.3	2.43	0.18

Calculation Area: 50'(L) x 40'(W) x 10'(H)
LLF 1.0, 80/50/20 Reflectance, 2.5'(H) Workplane
Spacing Criteria: 1.28

Zonal Lumen Summary

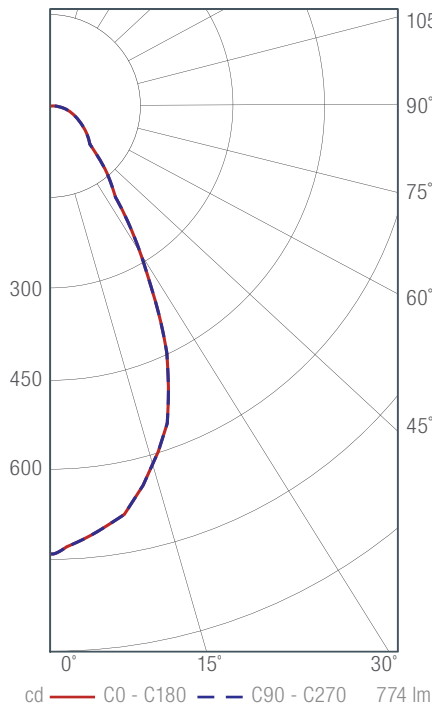
Zone	Lumens	Luminaire %
0-30	337.6	57.3%
0-40	433.0	73.6%
0-60	531.3	90.2%
0-90	588.7	100%
0-180	588.7	100%

Color Temperature Multiplier

CCT	Relative lumen factor*
2700K	0.87
3000K	1.00
3500K	1.00
4000K	1.07

*Value based upon testing with 3500, 95CRI. Lumen output of other color temperature can be determined by multiplying the relative lumen factor.

Light Engine: **DRD2M10930** (DRD2 Module, 1000 lm, 93 CRI, 3000K)
Trim: **DCD2TR6SWH** (DCD2 Trim, 6" Aperture, Smooth, White)



Luminous Intensity

Gamma	C 0°
0.0°	960
5.0°	924
10.0°	888
15.0°	812
20.0°	723
25.0°	585
30.0°	396
35.0°	239
40.0°	176
45.0°	113
50.0°	96
55.0°	80
60.0°	66
65.0°	53
70.0°	41
75.0°	30
80.0°	20
85.0°	12
90.0°	4

Values in candela

Application Reference

LED Module	Flux (lm)	Power (W)	Downlight Spacing (ft)	Average Illuminance (fcd)	Max/Min	LPD (W/sq ft)
DRD2M10	774	14.7	4x4	48	1.22	0.84
			6x6	24	1.29	0.44
			8x8	12	2.46	0.21

Calculation Area: 50'(L) x 40'(W) x 10'(H)
LLF 1.0, 80/50/20 Reflectance, 2.5'(H) Workplane
Spacing Criteria: 1.28

Zonal Lumen Summary

Zone	Lumens	Luminaire %
0-30	444.3	57.3%
0-40	570.0	73.6%
0-60	699.3	90.2%
0-90	774.9	100%
0-180	774.9	100%

Color Temperature Multiplier

CCT	Relative lumen factor*
2700K	0.93
3000K	1.00
3500K	1.00
4000K	1.07

*Value based upon testing with 3500, 95CRI. Lumen output of other color temperature can be determined by multiplying the relative lumen factor.

DIMMER COMPATIBILITY

Recommended Phase-control Dimmers (Dims down to less than 5% nominal measured light output)

Brand	Series	Model Number	Max # - load	
			DRD2M7xx	DRD2M10xx
Control 4	Control 4	C4-APD120	10	9
Cooper	Decorator	DLC03P, DAL06P	25	20
Legrand	Adorne	ADPD703TU	35	30
Lutron	Caseta	PD-6WCL	12	10
	CL series	AYCL-153, CTCL-153, DVCL-153, LGCL-153, SCL-153, TGCL-153	12	10
	CL series	AYCL-253, DVCL-253	20	15
	Grafik Eye 3000	QSGR-3P	30	25
	Grafik Sys/Homeworks	LP-RPM-4U	30	25
	Grafik Sys/Homeworks	LP-RPM-4A	25	20
	Maestro CL	MACL-153M, MSCL-OP153M, MSCL-VP153M	12	10
Maestro Wireless	MRF2-6ELV, MRF2-6CL	12	10	

*Compatible Phase-control Dimmers (Dims down to less than 20% nominal measured light output)

Brand	Series	Model Number	Max # - load	
			DRD2M7xx	DRD2M10xx
Cooper	Slide	SLC03P, SAL06P	25	20
Legrand	Harmony	H703PTU, HCL453P	30	25
Leviton	IllumaTech Slide	IPE04	25	20
Lutron	SureSlide	6621, 6674	10	10
	Diva	DV-600	12	10
	Maestro	MA-600	12	9
	Maestro ELV	MAELV-600, MSCELV-600	35	30
	Maestro Wireless	MRF2-6ND	12	10
	Radio RA	RRD-6NA, RRD-6CL, RRD-6D	12	10
	Skylark	S-600, SLV-600	35	30
	Skylark	S-1000	20	18
	Skylark ELV	SELV-300	25	20
	Ariadni/Toggler	AY-603, TG-603	12	10
Power Booster	PHPM-PA/PHPM-WBX	25	20	
Lightolier	Sunrise	SR400RPC120, ZP260QEW	20	15
Watt Stopper	Dimming Sensor	PW-100D	14	12

*Dimmer compatibility reflects performance compatibility only. Please reference your local codes for application.